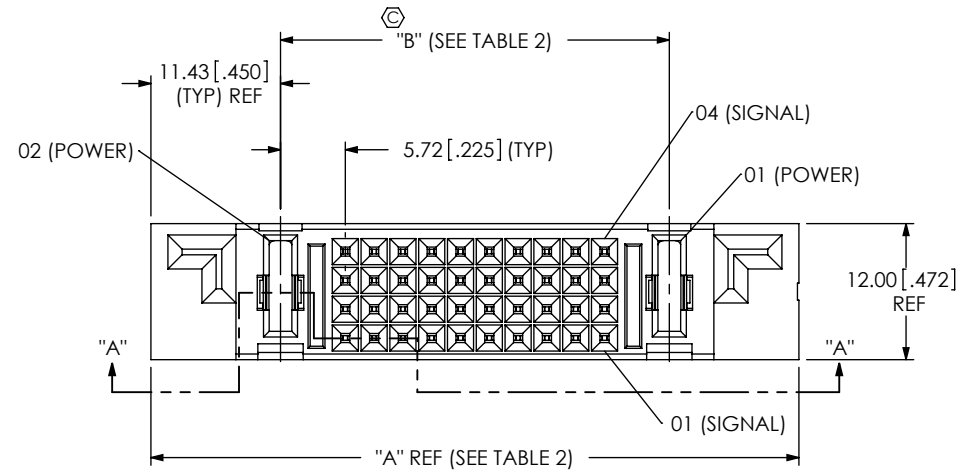


DESIGNED & DIMENSIONED
IN MILLIMETERS [INCHES]

DO NOT
SCALE FROM
THIS PRINT

PESC-XX-XX-XX-01-X-VT-XX



POWER PINS (PER END)
-01, -02, -04
(SEE TABLE 1 FOR AVAILABLE
COMBINATIONS)

SIGNAL PINS
-12
-40 (SEE TABLE 1 FOR AVAILABLE
COMBINATIONS)

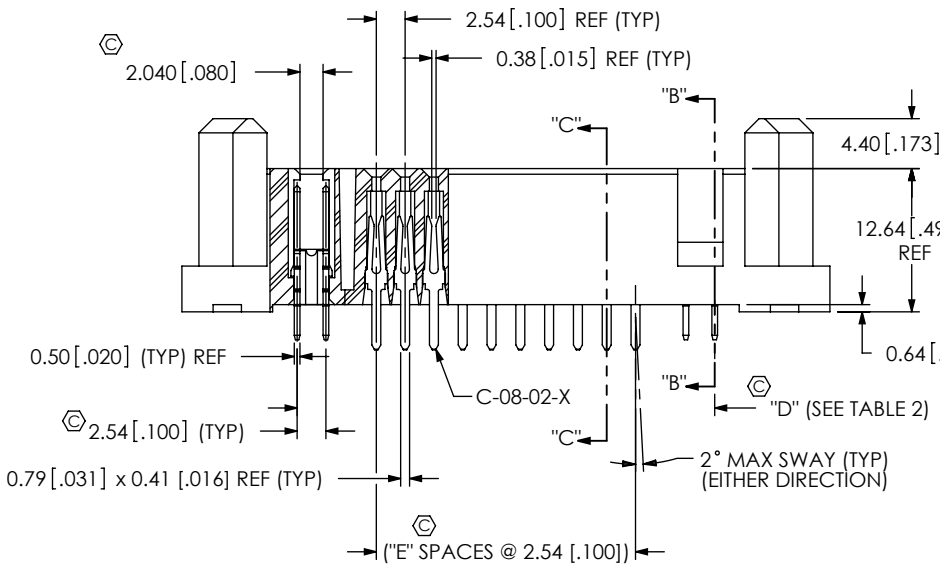
POWER PINS (PER END)
-01, -02, -04 (SEE TABLE 1 FOR AVAILABLE
COMBINATIONS)

LEAD STYLE
-01

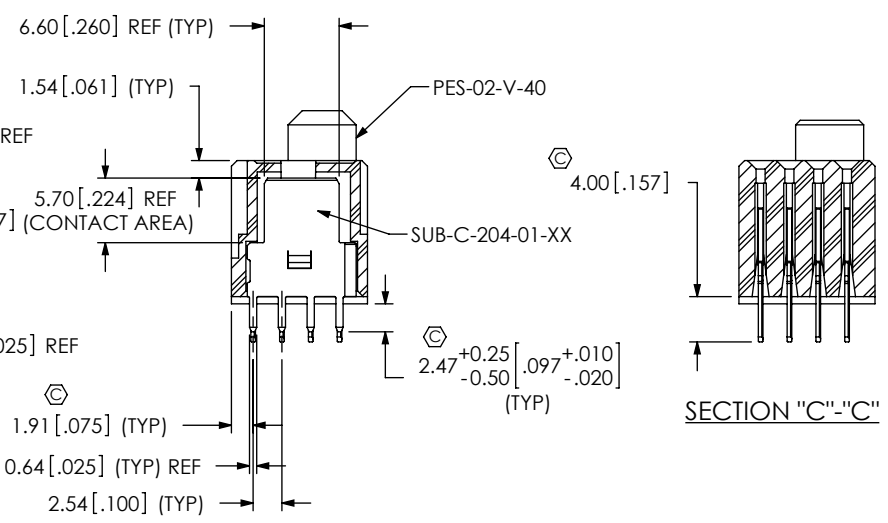
OPTION
-LC: LOCKING CLIP
(USE LC-11-TM)
(SEE FIG 2, SHT 2)

VERTICAL

PLATING SPECIFICATION
-S: 30μ" SELECTIVE GOLD IN CONTACT
AREA, MATTE TIN ON TAIL
-T: MATTE TIN CONTACT AND TAIL
-L: 10μ" SELECTIVE GOLD IN
CONTACT AREA, MATTE TIN ON TAIL

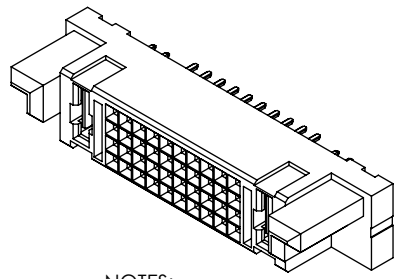


SECTION "A"-"A"



SECTION "B"-"B"

FIG 1
PESC-01-40-01-01-X-VT SHOWN



NOTES:

1. Ⓢ REPRESENTS A CRITICAL DIMENSION.
2. BURR ALLOWANCE: 0.13 [.005] MAX.
3. MINIMUM PUSHOUT FORCE: 2.22N [.5 LB].
4. PARTS TO BE PACKAGED IN TRAYS.

TABLE 1		
PART NUMBER	∠ MAX	"E"
PESC-01-12-01-01-X-VT-XX	0.15 [.006]	2
PESC-02-12-02-01-X-VT-XX	0.20 [.008]	2
PESC-04-12-04-01-X-VT-XX	0.20 [.008]	2
PESC-01-40-01-01-X-VT-XX	0.15 [.006]	9
PESC-02-40-02-01-X-VT-XX	0.20 [.008]	9
PESC-04-40-04-01-X-VT-XX	0.20 [.008]	9

CPC FREQUENCY THIS SHEET	UNLESS OTHERWISE SPECIFIED, DIMENSIONS ARE IN MILLIMETERS. TOLERANCES ARE: DECIMALS ANGLES .X: ±0.3 [.01] .XX: ±0.13 [.005] .XXX: ±0.051 [.0020]
A C1, C4, C5, C7, C11, C13	
B C6, C8	
C	
D	

PROPRIETARY NOTE
THIS DOCUMENT CONTAINS INFORMATION
CONFIDENTIAL AND PROPRIETARY TO
SAMTEC, INC. AND SHALL NOT BE REPRODUCED
OR TRANSFERRED TO OTHER DOCUMENTS OR
DISCLOSED TO OTHERS OR USED FOR ANY
PURPOSE OTHER THAN THAT WHICH IT WAS
OBTAINED WITHOUT THE EXPRESSED WRITTEN
CONSENT OF SAMTEC, INC.

MATERIAL: DO NOT SCALE DRAWING
INSULATOR: LCP, COLOR: BLACK
CONTACT: COPPER ALLOY

SHEET SCALE: 1:0.666667

samtec	
520 PARK EAST BLVD, NEW ALBANY, IN 47150 PHONE: 812-944-6733 FAX: 812-948-5047 e-Mail: info@SAMTEC.com code: 55322	
DESCRIPTION: VERTICAL POWER SOCKET	
DWG. NO. PESC-XX-XX-XX-01-X-VT-XX	
BY: CLAY W	1/10/2006
SHEET 1 OF 2	

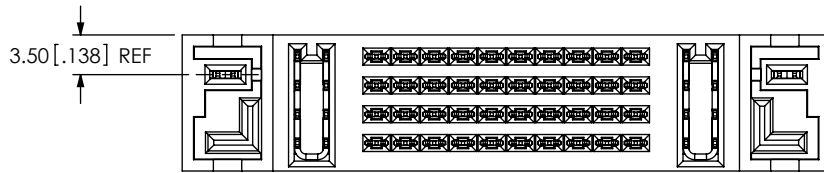
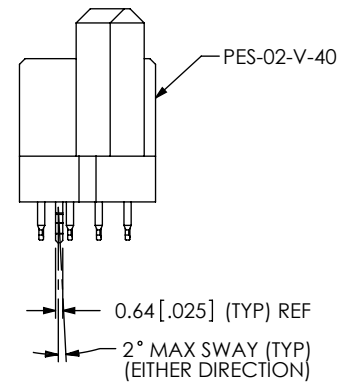
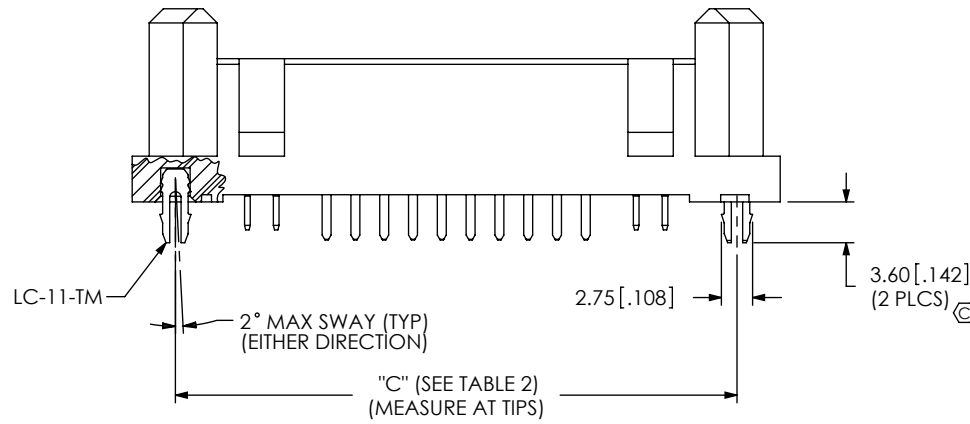


FIG 2
PESC-01-40-01-01-X-VT-LC SHOWN
(SAME AS FIG 1, EXCEPT AS SHOWN)

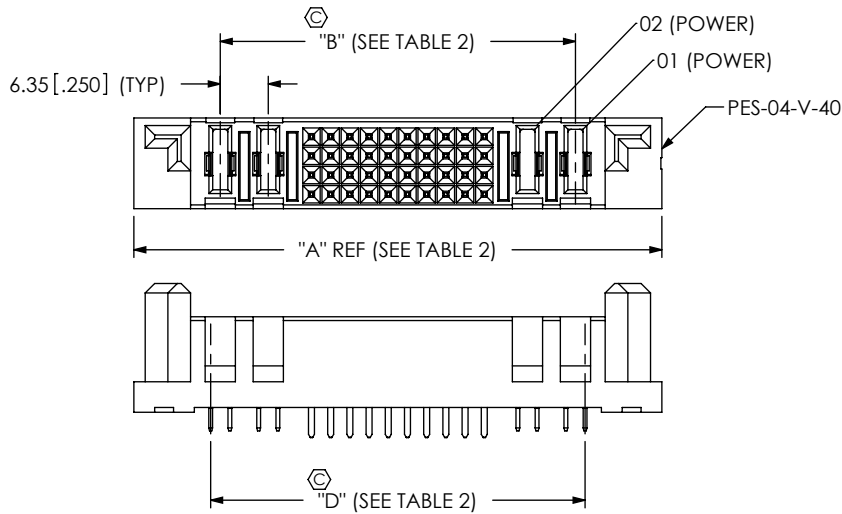


FIG 3
PESC-02-40-02-01-X-VT SHOWN
(SAME AS FIG 1 EXCEPT AS SHOWN)

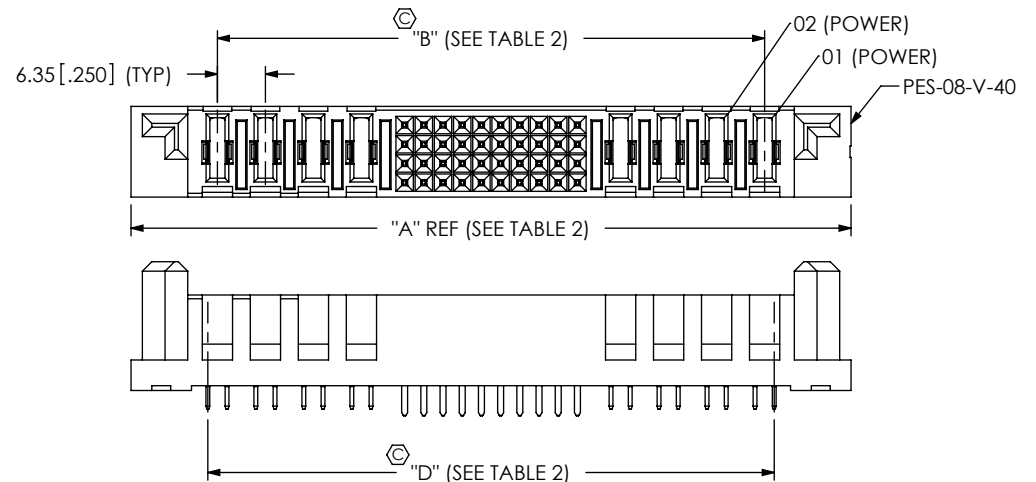


FIG 4
PESC-04-40-04-01-X-VT SHOWN
(SAME AS FIG 1 EXCEPT AS SHOWN)

PART NUMBER	TABLE 2			
	"A"	"B"	"C"	"D"
PESC-01-12-01-01-X-VT-XX	39.37 [1.550]	16.51 [.650]	31.75 [1.250]	19.05 [.750]
PESC-02-12-02-01-X-VT-XX	52.07 [2.050]	29.21 [1.150]	44.45 [1.750]	31.75 [1.250]
PESC-04-12-04-01-X-VT-XX	77.47 [3.050]	54.61 [2.150]	69.85 [2.750]	57.13 [2.250]
PESC-01-40-01-01-X-VT-XX	57.15 [2.250]	34.29 [1.350]	49.53 [1.950]	36.83 [1.450]
PESC-02-40-02-01-X-VT-XX	69.85 [2.750]	46.99 [1.850]	62.23 [2.450]	49.53 [1.950]
PESC-04-40-04-01-X-VT-XX	95.25 [3.750]	72.39 [2.850]	87.63 [3.450]	74.93 [2.950]

F:\DWG\MISC\MKTG\PESC-XX-XX-XX-01-X-VT-XX-MKT.SLDRW

CPC FREQUENCY THIS SHEET	
A	C1, C11
B	C9
C	
D	

PROPRIETARY NOTE
THIS DOCUMENT CONTAINS INFORMATION CONFIDENTIAL AND PROPRIETARY TO SAMTEC, INC. AND SHALL NOT BE REPRODUCED OR TRANSFERRED TO OTHER DOCUMENTS OR DISCLOSED TO OTHERS OR USED FOR ANY PURPOSE OTHER THAN THAT WHICH IT WAS OBTAINED WITHOUT THE EXPRESSED WRITTEN CONSENT OF SAMTEC, INC.

DO NOT SCALE DRAWING
SHEET SCALE: 1:0.666667



520 PARK EAST BLVD, NEW ALBANY, IN 47150
PHONE: 812-944-6733 FAX: 812-948-5047
e-Mail: info@SAMTEC.com code: 55322

DESCRIPTION: VERTICAL POWER SOCKET
DWG. NO. PESC-XX-XX-XX-01-X-VT-XX
BY: CLAY W 1/10/2006 SHEET 2 OF 2