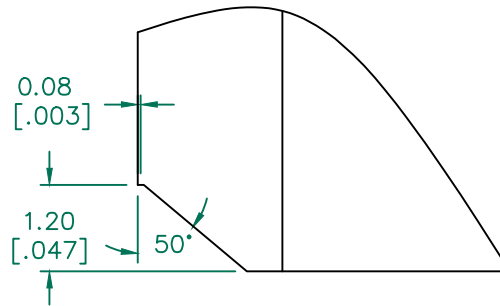
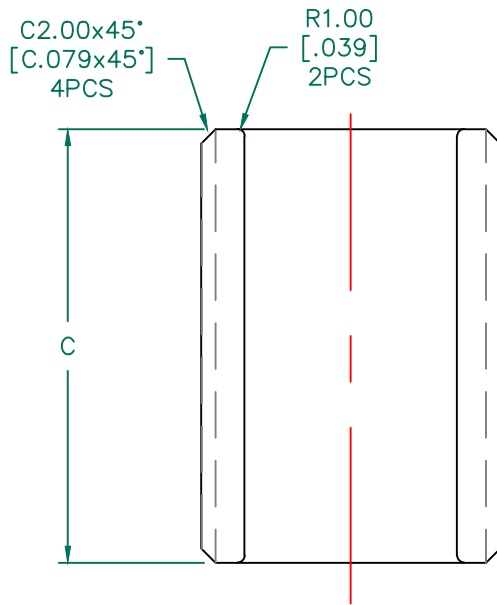


NET IMPEDANCE (Z)					
Frequency	0.5 MHz	1 MHz	5 MHz	10 MHz	25 MHz
Nominal (REF)	58 Ω	79 Ω	47 Ω	38 Ω	34 Ω
Minimum	43 Ω	59 Ω	35 Ω	28 Ω	25 Ω



DETAIL "A"

**PRELIMINARY
PRINT**

FERRITE CORE DIMENSIONS (SPEC): mm [in]

A	41.40 [1.630]	+ 0.75 [.030]
B	29.40 [1.157]	+ 0.60 [.024]
C	60.00 [2.362]	+ 1.00 [.039]
D	11.50 [.453]	+ 0.20 [.008]
E	5.50 [.217]	+ 0.25 [.010]

WEIGHT/1000 88.07 kgs [194.15 Lbs]

NOTES: UNLESS OTHERWISE SPECIFIED

1. COSMETIC SPECIFICATION REFER TO WI-QA-038.
2. THE CONTACT SURFACE NEED TO BE POLISHED.

RoHS

DIMENSIONS ARE IN mm[INCHES].				This print is the property of Laird Tech. and is loaned in confidence subject to return upon request and with the understanding that no copies shall be made without the written consent of Laird Tech. All rights to design or invention are reserved.		Laird	
				PROJECT/PART NUMBER:	REV	PART TYPE:	DRAWN BY:
P3	ADD Z SPEC	04/10/18	Jcai	40U1630-080	P3	CNZ CORE	Jcai
P2	UPDATE CHAMFER	08/07/17	QIU	DATE: 08/03/17	SCALE: 1 : 1	MATERIAL:	Ferrite
P1	PRELIMINARY DRAFT	08/03/17	Jcai	CAD # 40U1630-080-P3	TOOL # U1630		
REV	DESCRIPTION	DATE	INT				