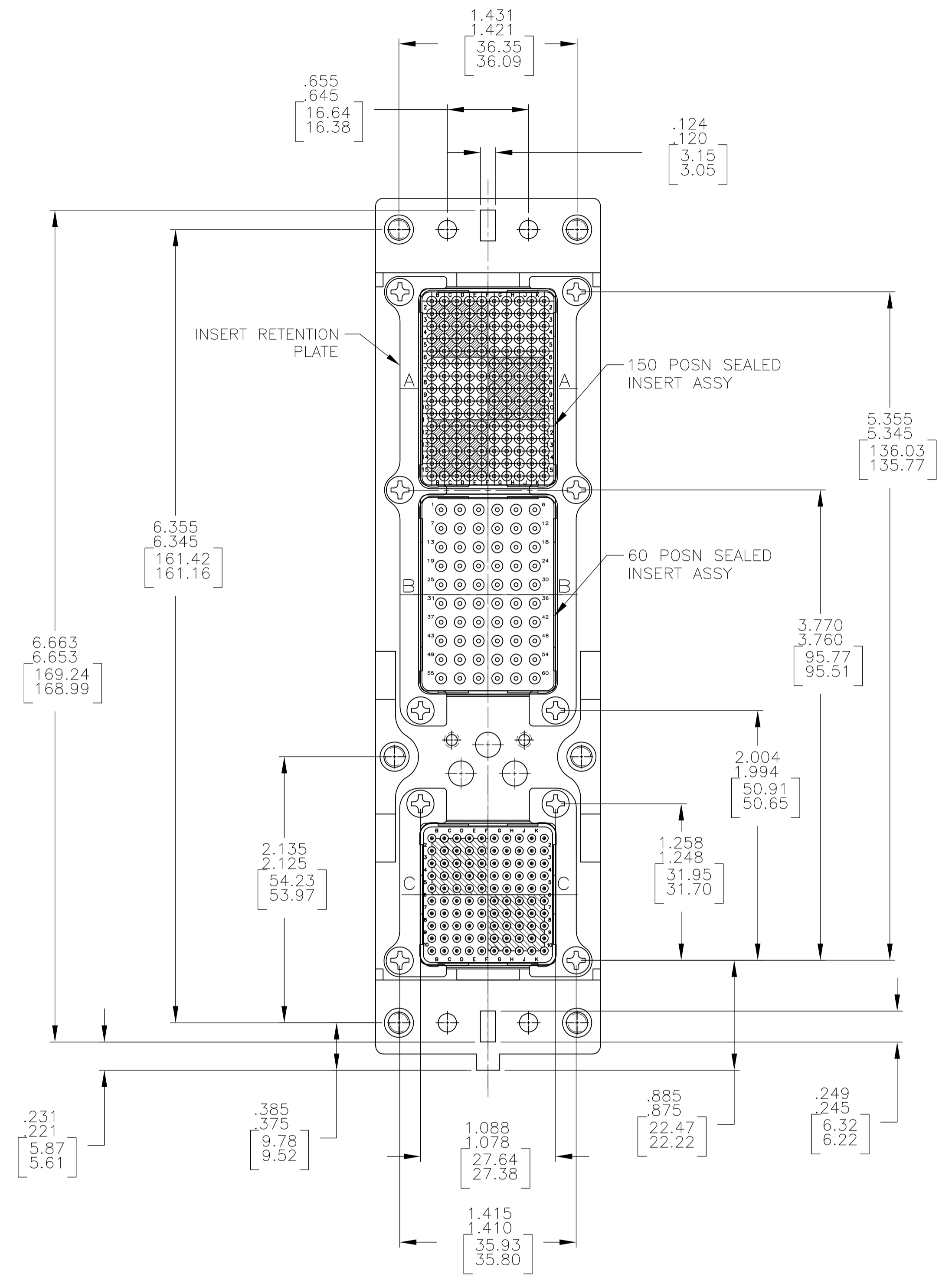
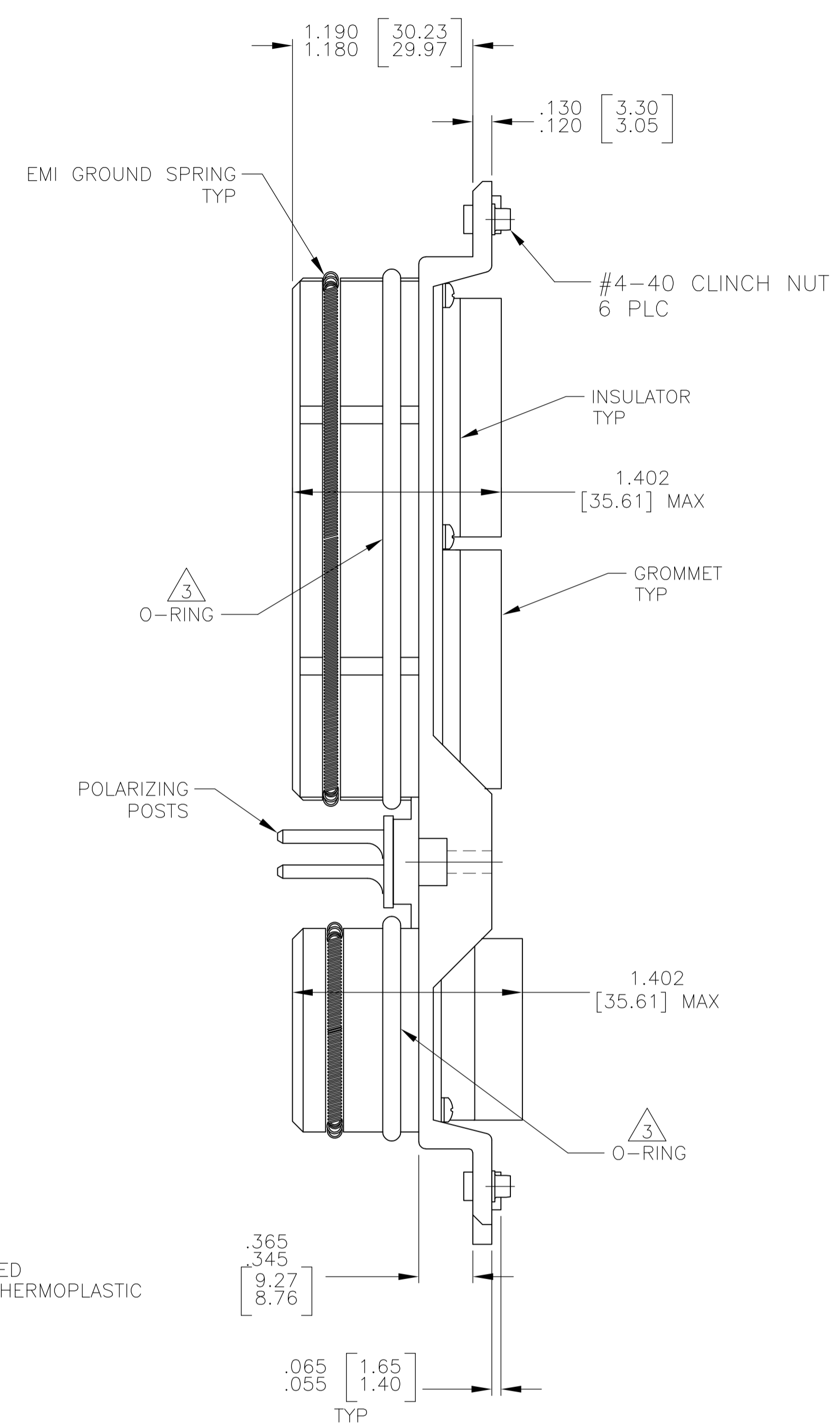
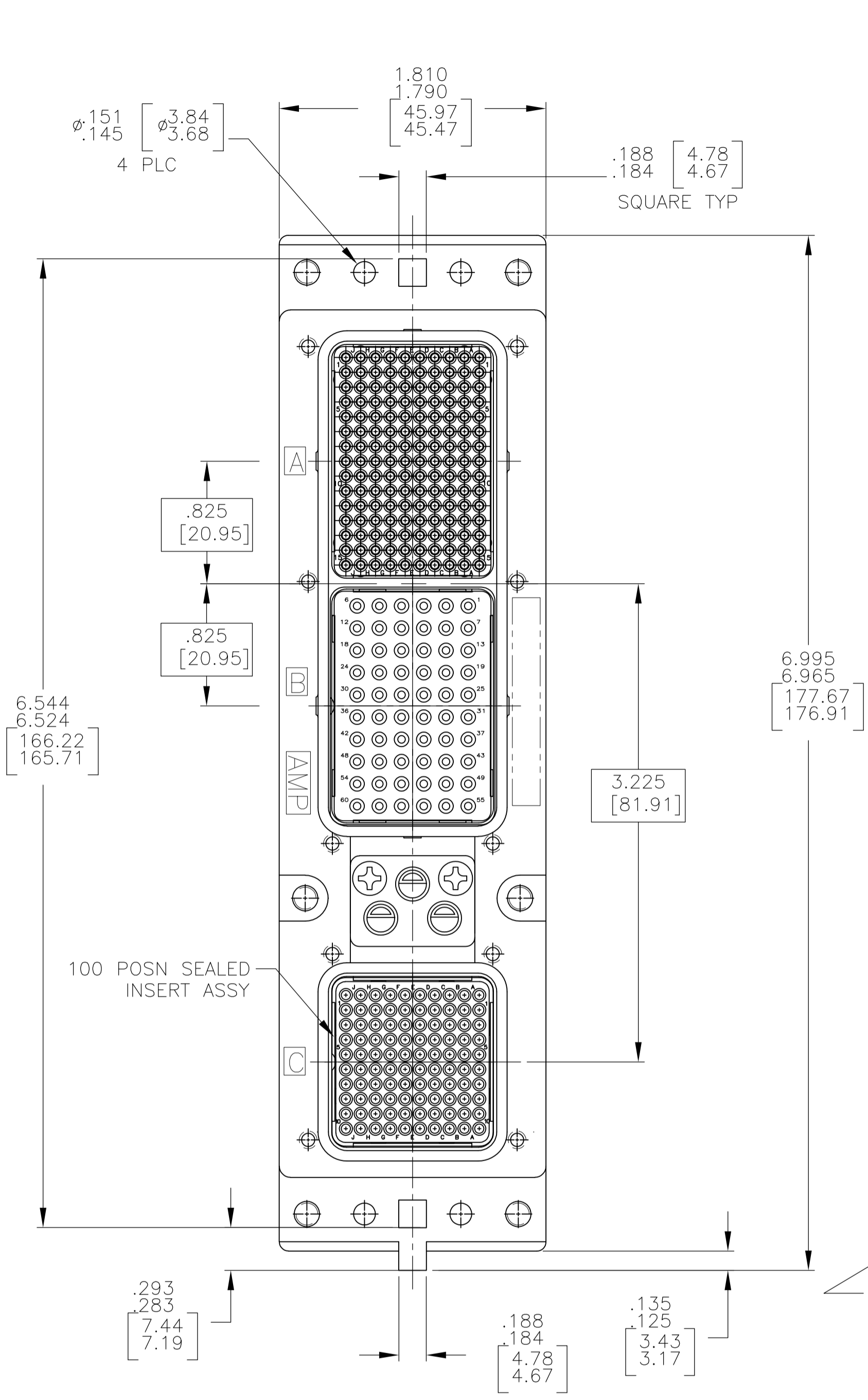


REVISES		DATE	BY	APP'D
NO.	DESCRIPTION			
D	REV PER ECO 11-010795	6-8-11	CT	WB



- CONNECTOR DIMENSIONS ARE PER ARINC 600 SPECIFICATION
- KEYING SHOWN IN POSITION "01" FOR REFERENCE ONLY. CONNECTORS SHIPPED WITH KEYING INSTALLED IN POSITION PER TABLE FOR POSITION "00" KEYING SHIPPED UNASSEMBLED.
- O-RING LUBRICATED WITH PARKER SUPER O-RING-LUBE OR ENGINEERING APPROVED EQUIVALENT.

COMPONENT	MATERIAL	FINISH
SHELL	DIE CAST ALUMINUM PER ASTM-B-85	ELECTROLESS NICKEL PER MIL-C-26074.
RETENTION PLATES	ALUMINUM ALLOY PER ASTM-B-209	ELECTROLESS NICKEL PER MIL-C-26074.
SCREWS AND LOCKWASHERS	STEEL OR STAINLESS STEEL	CHROMATE OVER ZINC OR PASSIVATED
POLARIZING POSTS	ZINC ALLOY PER ASTM-B-86	ELECTROLESS NICKEL PER MIL-C-26074.
INSERTS	THERMOSET	-
EMI GROUND SPRING	BERYLLIUM COPPER 172 (ALLOY 29)	ELECTRODEPOSITED NICKEL PER QQ-N-290
GROMMET	FLUOROSILICONE	-
POLARIZING POST RETAINING PLATE	ALUMINUM ALLOY PER ASTM-B-209	BLUE ANODIZED PER MIL-A-8625

DESCRIPTIVE NUMBER	KEYING POSITION	CONTACTS INCLUDED NOT INSTALLED	PART NUMBER
NIC66HN402LOOSBO	"00"	MODULE A 208262-3 (SIZE 22 PIN CONTACT; QTY=150) MODULE B 208267-2 (SIZE 20 SOCKET CONTACT; QTY=60) MODULE C 208262-3 (SIZE 22 PIN CONTACT; QTY=100)	2157109-1

THIS DRAWING IS A CONTROLLED DOCUMENT.		DIN P. YEAGER 15SEP10	TE Connectivity
DIMENSIONS: INCHES	TOLERANCES UNLESS OTHERWISE SPECIFIED:	CHK K. THACKSTON 15SEP10	
	0 PLC ± -	APP'D K. THACKSTON 15SEP10	NAME
	1 PLC ± -	PRODUCT SPEC	PLUG ASSY, SIZE 2, ARINC 600, (150/60/100)
MATERIAL SEE TABLE	FINISH SEE TABLE	APPLICATION SPEC	SIZE CASE CODE DRAWING NO
		WEIGHT	A1 00779 C=2157109
		CUSTOMER DRAWING	RESTRICTED TO
		SCALE 1:1	SHEET 1 OF 1 REV D