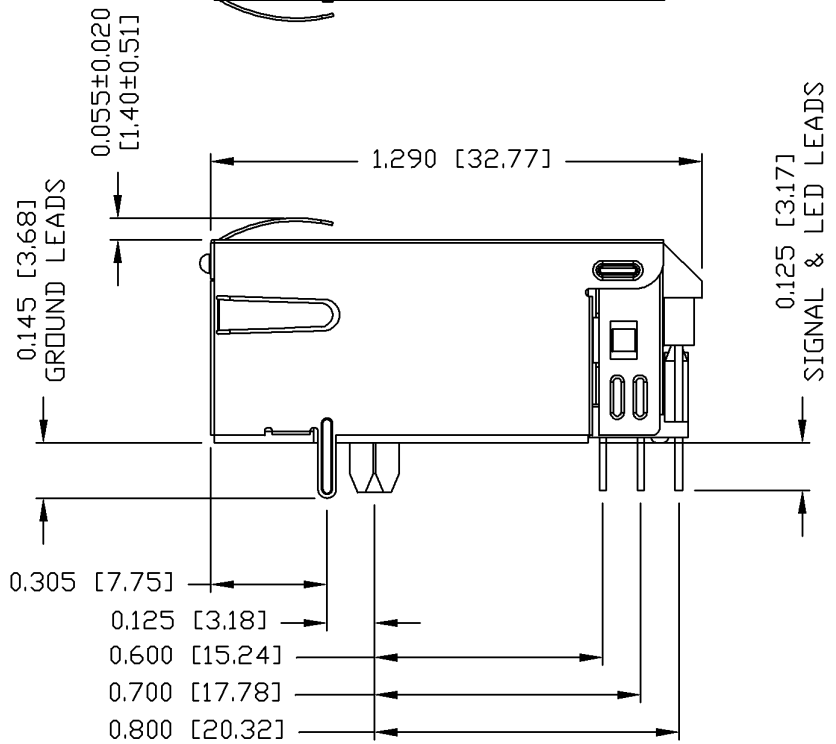
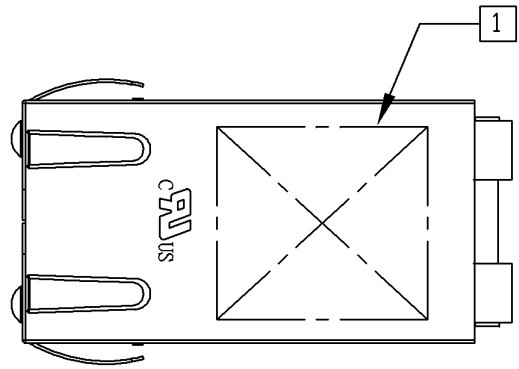
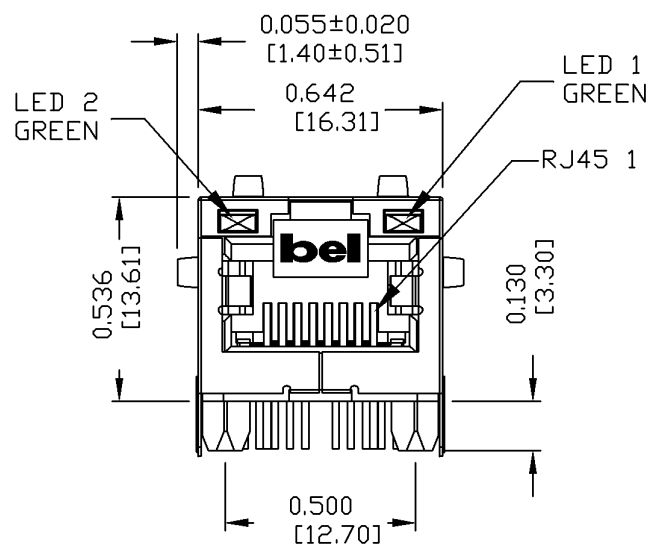


THE INFORMATION CONTAINED HEREIN IS CONSIDERED "PROPRIETARY" TO BEL FUSE INC. AND SHALL NOT BE COPIED, REPRODUCED OR DISCLOSED WITHOUT THE WRITTEN APPROVAL OF BEL FUSE INC.

RoHS
2002/95/EC



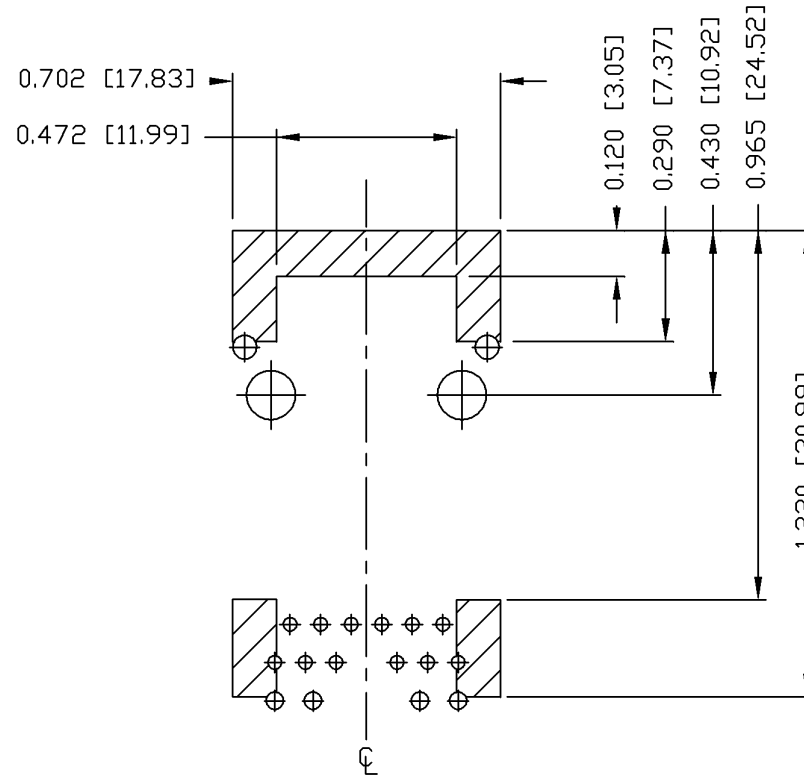
MECHANICAL SPECIFICATION



ORIGINATED BY ZX HUANG	DATE 08-01-08	TITLE gigabit MagJack® (Enhanced EMI, Tab Up) 0826-1G1T-63-F	PART NO. / DRAWING NO. 08261G1T63-F	STANDARD DIM. TOL. IN INCH	[] METRIC DIM. AS REFERENCE	 COMPONENTS FOR A CONNECTED PLANET
DRAWN BY BL CHEN	DATE 08-01-08		FILE NAME 08261G1T63-F_C.DWG	.X .XX .XXX	UNIT : INCH [mm] SCALE : N/A ±0.010	

THE INFORMATION CONTAINED HEREIN IS CONSIDERED 'PROPRIETARY' TO BEL FUSE INC. AND SHALL NOT BE COPIED, REPRODUCED OR DISCLOSED WITHOUT THE WRITTEN APPROVAL OF BEL FUSE INC.

RoHS
2002/95/EC



NOTES

THE SHADED AREA ON THE CUSTOMER BOARD ARE RECOMMENDED TO BE CLEAR OFF ANY VIA HOLE OR COMPONENT PAD.

ORIGINATED BY ZX HUANG	DATE 08-01-08	TITLE gigabit MagJack® (Enhanced EMI, Tab Up) 0826-1G1T-63-F	PART NO. / DRAWING NO. 08261G1T63-F	STANDARD DIM. TOL. IN INCH	[] METRIC DIM. AS REFERENCE	bel COMPONENTS OF A CONNECTED PLANET
DRAWN BY BL CHEN	DATE 08-01-08		FILE NAME 08261G1T63-F_C.DWG	.X .XX .XXX	±0.004	

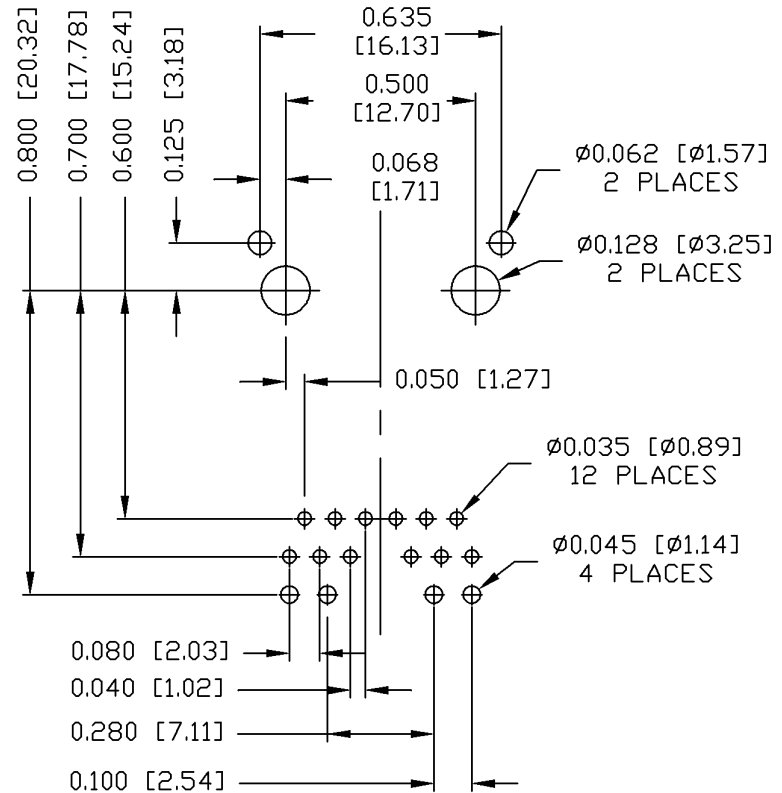
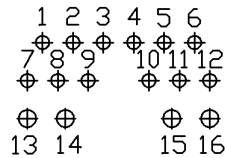
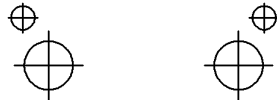
THE INFORMATION CONTAINED HEREIN IS CONSIDERED 'PROPRIETARY' TO BEL FUSE INC. AND SHALL NOT BE COPIED, REPRODUCED OR DISCLOSED WITHOUT THE WRITTEN APPROVAL OF BEL FUSE INC.

RoHS
2002/95/EC



RECOMMENDED PCB FOOTPRINT
COMPONENT SIDE VIEW

PINS ASSIGNMENT



NOTES:

- PLASTIC HOUSING: THERMOPLASTIC PA
FLAMMABILITY RATING UL 94V-0
- CONTACTS: 50 MICRO-INCH HARD GOLD PLATING
- OUTPUT PINS: TIN-COATED COPPER WIRE, DIA 0.018 INCH.
- METAL SHIELD: NICKEL PLATED ON COPPER ALLOY.
(ALL GROUND LEADS ARE SOLDER DIPPED)

1. MARK PART WITH MFG LOGO, MFG NAME, PART NUMBER, AND DATE CODE.

- 1. RoHS COMPLIANCE, PER EU DIRECTIVE 2002/95/EC.
- 2. JACK CAVITY CONFORMS TO FCC RULES AND REGULATIONS.

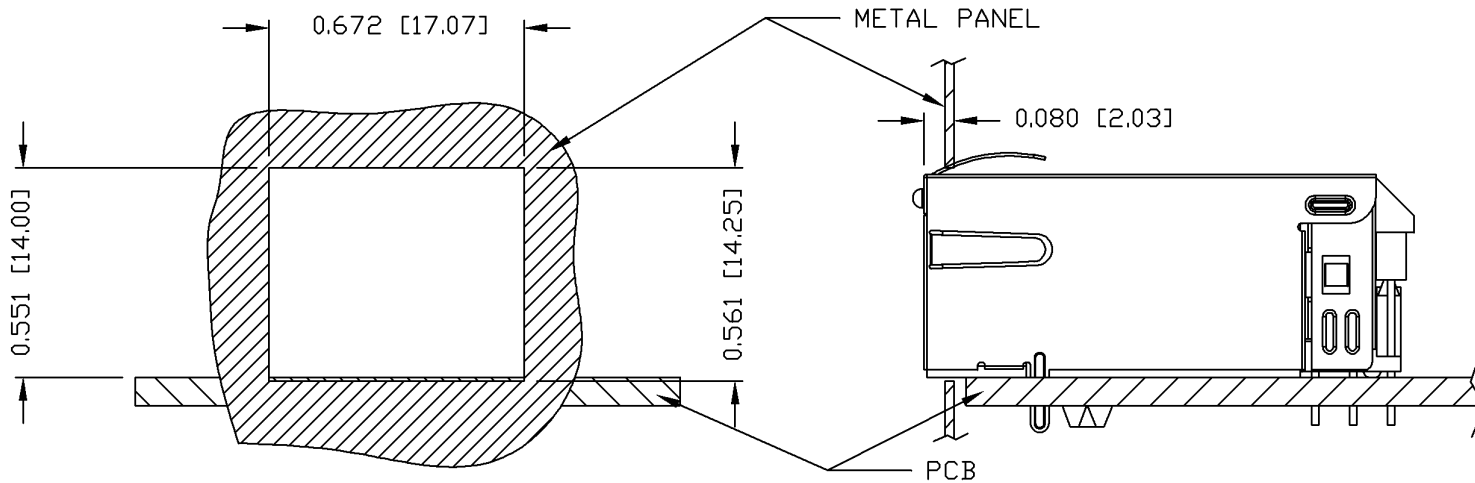
ORIGINATED BY ZX HUANG	DATE 08-01-08	TITLE gigabit MagJack® (Enhanced EMI, Tab Up)	PART NO. / DRAWING NO. 08261G1T63-F	STANDARD DIM. TOL. IN INCH	[] METRIC DIM. AS REFERENCE	
DRAWN BY BL CHEN	DATE 08-01-08		FILE NAME 08261G1T63-F_C.DWG	.X .XX .XXX ±0.004	UNIT : INCH [mm]	REV. : C
					SCALE : N/A	SIZE : A4
						PAGE : 5



THE INFORMATION CONTAINED HEREIN IS CONSIDERED "PROPRIETARY" TO BEL FUSE INC. AND SHALL NOT BE COPIED, REPRODUCED OR DISCLOSED WITHOUT THE WRITTEN APPROVAL OF BEL FUSE INC.



SUGGESTED PANEL OPENING



NOTE:

THE DISTANCE OF PANEL INSIDE SURFACE RELATIVE TO FRONT SURFACE OF PART IS ONLY A SUGGESTION. IN CASE THIS DISTANCE IS DIFFERENT, THE REQUIRED PANEL OPENING DIMENSIONS CHANGE ACCORDINGLY.

PACKING INFORMATION

PACKING TRAY : 0200-9999-F6 (TOP)
0200-9999-F7 (BOTTOM)

PACKING QUANTITY : 40 PCS FINISHED GOODS PER TRAY
10 TRAYS (400 PCS FINISHED GOODS) PER CARTON BOX

NOTE : CARDBOARDS ARE PLACED BETWEEN LAYERS OF PACKING TRAY INSIDE CARTON BOX
(INCLUDE THE UPPERMOST AND LOWERMOST TRAY)

ORIGINATED BY ZX HUANG	DATE 08-01-08	TITLE gigabit MagJack® (Enhanced EMI, Tab Up)	PART NO. / DRAWING NO. 08261G1T63-F	STANDARD DIM. TOL. IN INCH	[] METRIC DIM. AS REFERENCE
DRAWN BY BL CHEN	DATE 08-01-08		FILE NAME 08261G1T63-F_C.DWG	.X .XX .XXX	±0.004

