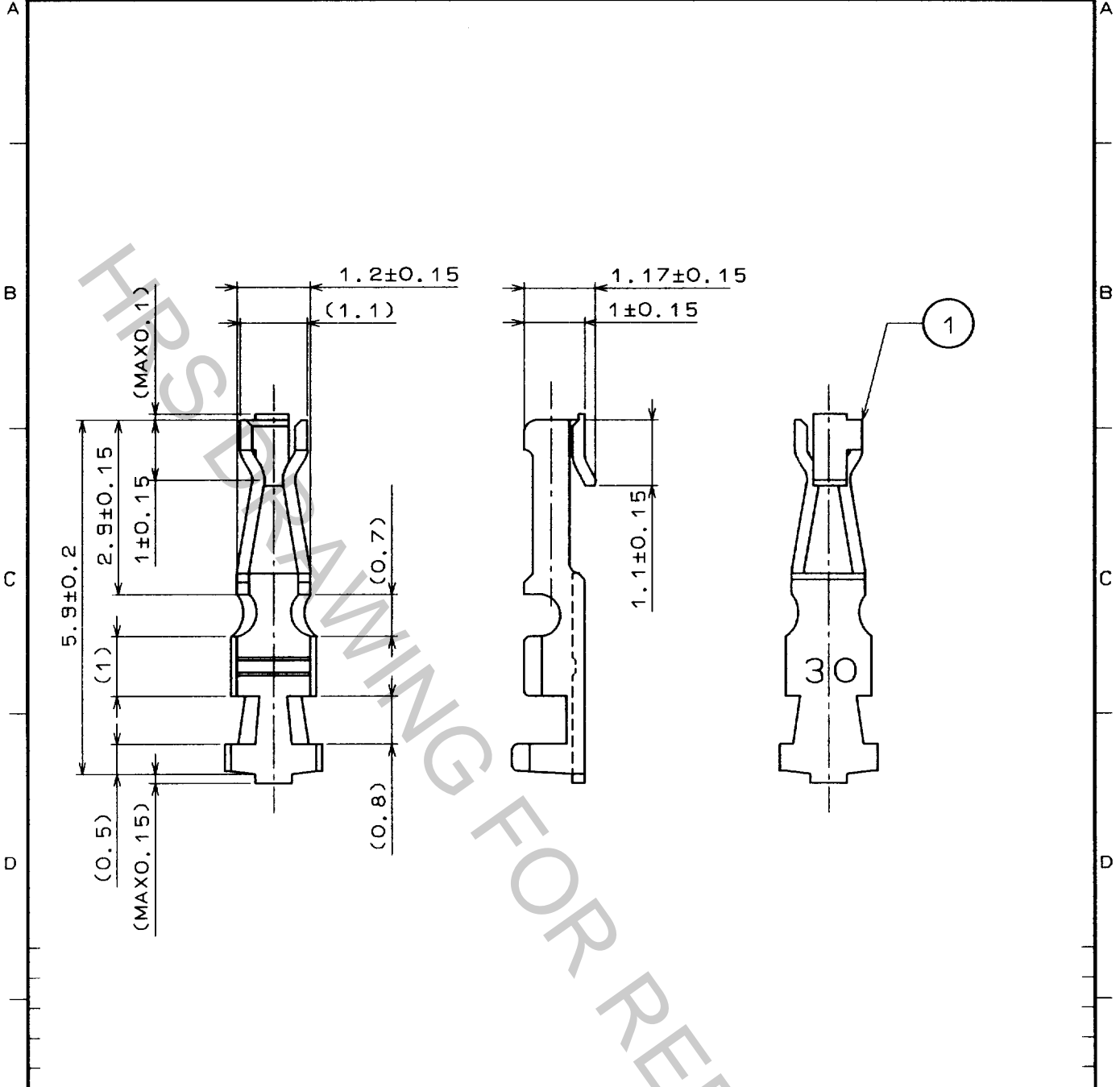


1		2			3			4		
COUNT	DESCRIPTION OF REVISIONS	BY	CHKD	DATE	COUNT	DESCRIPTION OF REVISIONS	BY	CHKD	DATE	
△				..	△				..	
△				..	△				..	
△				..	△				..	



NOTE ① CONTACT AREA: GOLD PLATED OVER NICKEL  
THE OTHER: NICKEL PLATED

1	PHOSPHOR BRONZE	①			
NO.	MATERIAL	FINISH, REMARKS	NO.	MATERIAL	FINISH, REMARKS

CODE NO. (OLD)	DRAWN	DESIGNED	CHECKED	APPROVED	RELEASED
	J. Sakuda	J. Sakuda	H. Okawa	M. Yamaguchi	
	97.10.03	97.10.03	97.10.03	97.10.03	

SCALE 10 : 1 UNITS mm	DRAWING NO. EDC4-021389	PART NO. A3B-2630SCC
	HIROSE ELECTRIC CO., LTD.	CODE NO. CL621-0302-0

TO