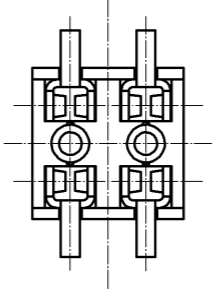
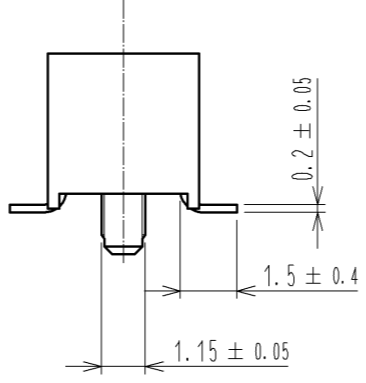
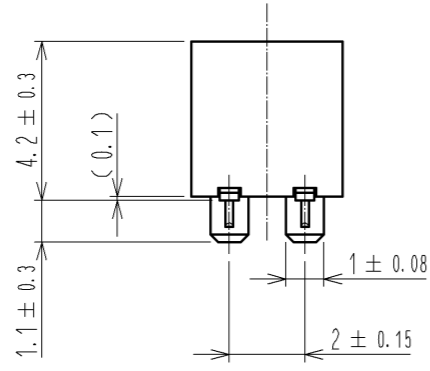
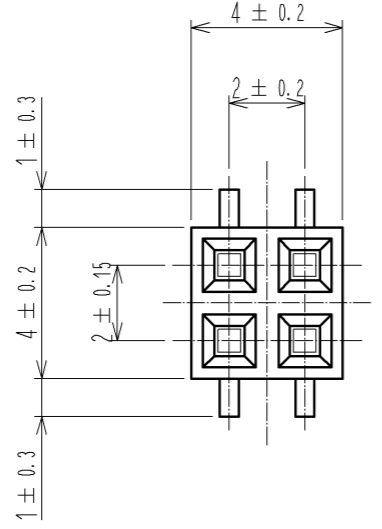
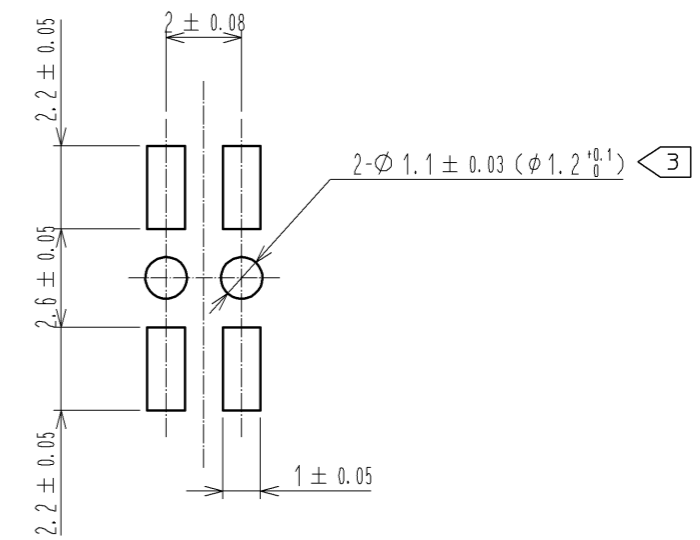


Apr.1.2017 Copyright 2017 HIROSE ELECTRIC CO., LTD. All Rights Reserved.



RECOMMENDED LAND PATTERN DIMENSION OF PCB (MOUNTING SIDE)
 (RECOMMENDED METAL MASK THICKNESS:0.2mm)



NOTE 1 Lead Co-Planarity shall be 0.15 max.
 2 The dimensions in parentheses are for refernce.
 3 For automated mounting, recommended through hole diameter of boss is 1.2^{+0.1}.

1	PPS	LIGHT BROWN / UL94V-0	2	PHOSPHOR BRONZE	CONTACT AREA:GOLD 0.2μm min. LEAD AREA:TIN-PLATING 1μm min. UNDER PLATING:NICKEL 1μm min.		
NO.	MATERIAL	FINISH . REMARKS	NO.	MATERIAL	FINISH . REMARKS		
UNITS mm		SCALE 5 : 1	COUNT 	DESCRIPTION OF REVISIONS	DESIGNED	CHECKED	DATE
HRS HIROSE ELECTRIC CO., LTD.		APPROVED : HS. OKAWA	12.03.21	DRAWING NO.	EDC3-082673-21		
		CHECKED : HT. YAMAGUCHI	12.03.21	PART NO.	A3A-4DA-2SV(71)		
		DESIGNED : TS. OONO	12.03.21	CODE NO.	CL621-1140-5-71		
		DRAWN : TS. OONO	12.03.21				1/1