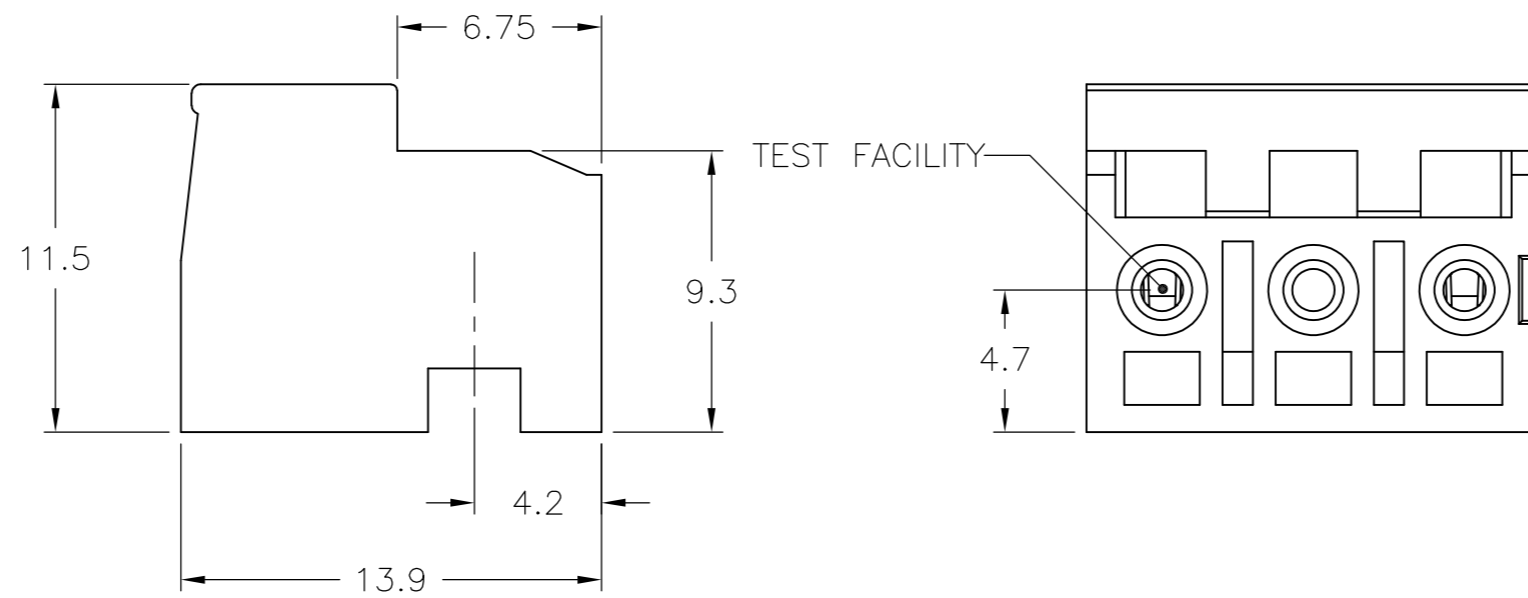
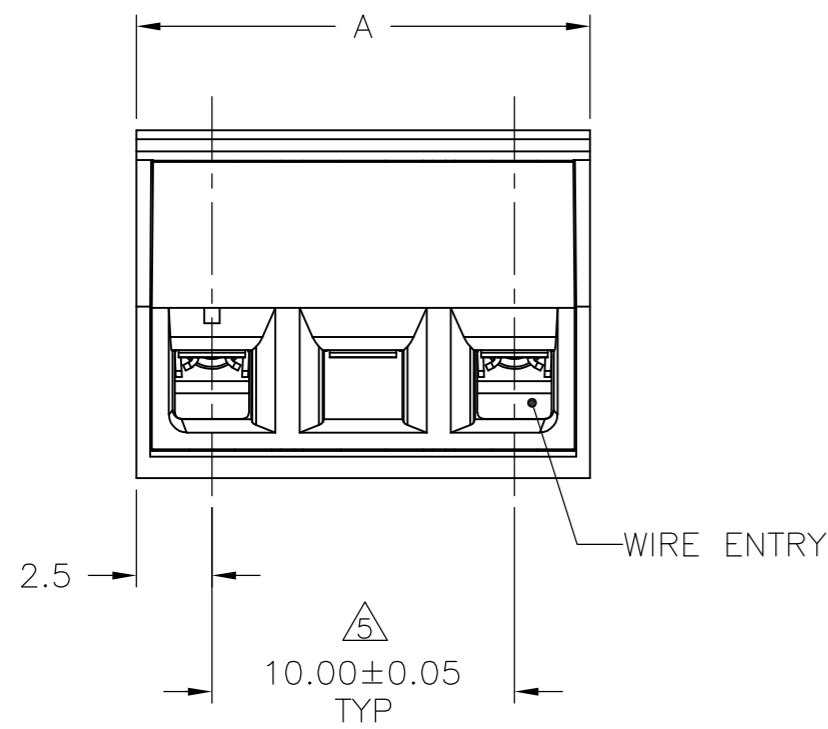
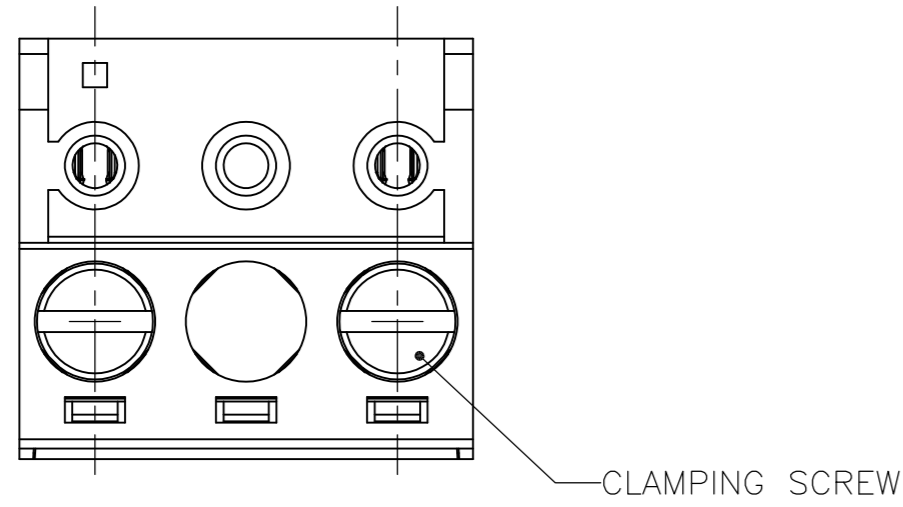


THIS DRAWING IS UNPUBLISHED. RELEASED FOR PUBLICATION
 © COPYRIGHT BY TYCO ELECTRONICS CORPORATION. ALL INTERNATIONAL RIGHTS RESERVED.

LOC		DIST		REVISIONS			
P	LTR	DESCRIPTION		DATE	DWN	APVD	
C1		REVISED PER ECO-09-017426		8/28/09	SS	CR	
C2		REVISED PER ECO-09-027197		09DEC09	KK	AEG	

- 1 MATERIALS AND FINISH
 HOUSING: PA 6-6, UL 94-V0, COLOR: GREEN.
 CLAMP: BRASS, NICKEL PLATED.
 CONTACT: PHOSPHOR BRONZE, TIN PLATED.
 CLAMPING SCREW: M3, BRASS, NICKEL PLATED.
- 2. WIRE SIZE RANGE: 12-30 AWG
- 3. RECOGNIZED UNDER THE COMPONENT PROGRAM OF UNDERWRITERS LABORATORIES INC. FILE NO. E60677.
- 4. IMQ CERTIFICATE WITH SURVEILLANCE IN CONFORMITY WITH IEC 998-1/998-2-1.
- 5 NOT CUMULATIVE TOLERANCE.
- 6 OBSOLETE PARTS: OBSOLETE CIS STREAMLINING PER D.RENAUD/D.SINISI



OBSOLETE	55	6	282831-6
	45	5	282831-5
	35	4	282831-4
	25	3	282831-3
	15	2	282831-2
A	NO OF POSN	PART NUMBER	

THIS DRAWING IS A CONTROLLED DOCUMENT.		DWN	S SCHLEGEL	28AUG2009	Tyco Electronics Corporation Harrisburg, PA 17105-3608		
DIMENSIONS: mm		CHK	C RICHARD	8/28/09	NAME		
TOLERANCES UNLESS OTHERWISE SPECIFIED:		APVD	C RICHARD	8/28/09	PRODUCT SPEC		
0 PLC ± -		APPLICATION SPEC		SIZE			
1 PLC ± 0.3		WEIGHT		CAGE CODE		DRAWING NO	
2 PLC ± 0.25		FINISH		A2		00779	
3 PLC ± -		MATERIAL		C=282831		RESTRICTED TO	
4 PLC ± -		FINISH		SCALE		SHEET	
ANGLES ± 1°		MATERIAL		4:1		1 OF 1	
FINISH		MATERIAL		CUSTOMER DRAWING		REV	
-		-		SCALE		C2	