

5

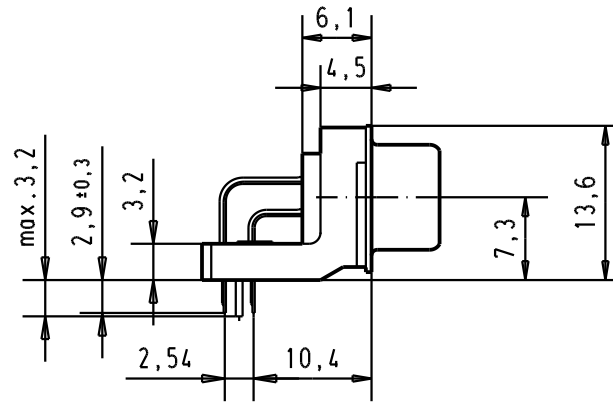
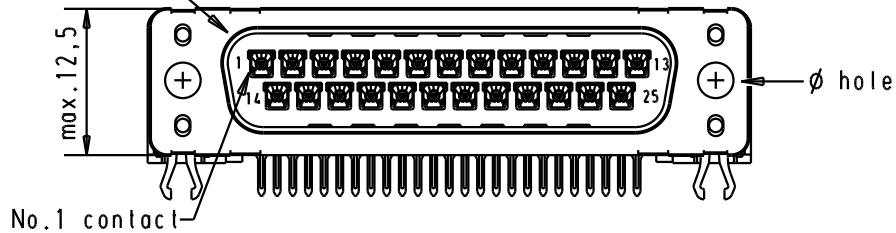
4

3

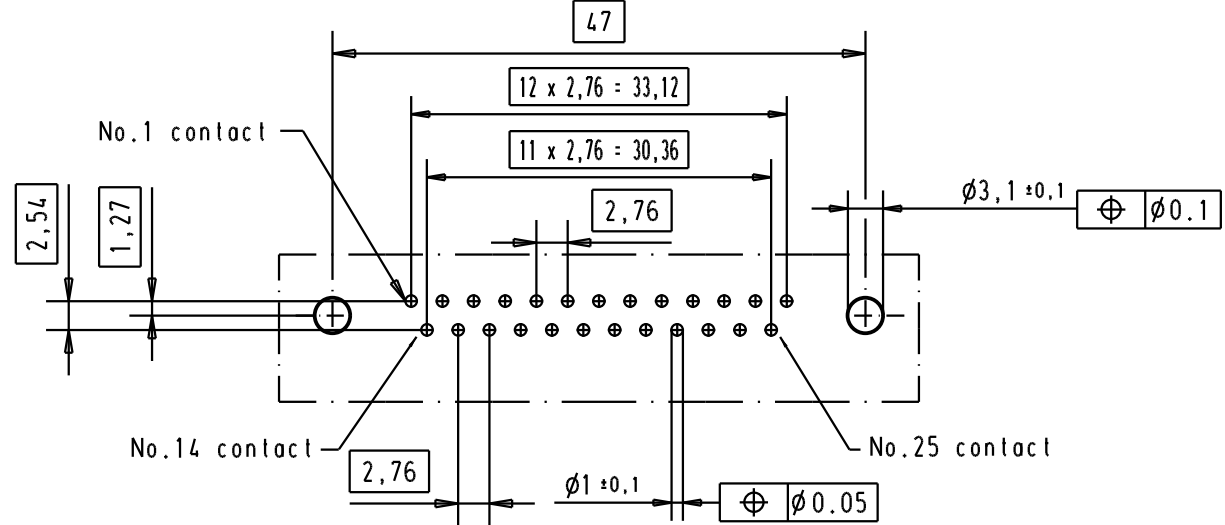
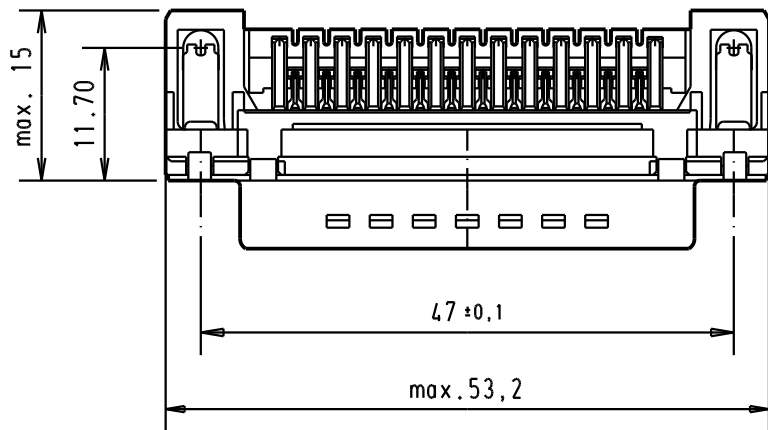
2

1

Mating face according to : MIL-C-24308 / DIN 41652 / CECC 75301-802





PCB layout hole component side



Connector retention and insertion forces on the PCB = 25 / 80 newtons

A

| | | | | | | Det. | Name |  All Dim. in mm Orig. Size DIN A 4 | D-Sub, high temperature, male, standard, 25 poles, with solder pins 2.9, holes and grounding board lock. | Maßstab/ Scale 1.5:1 |
|----------------|-----------|-------------------|-------|----------|------|---|------|---|--|--------------------------------|
| | | | | | | Detail. | CV | | | |
| | | | | | | Insp. | | | | |
| 09 65 366 3810 | 3.1 ± 0.1 | 1 | | | | Stand. | | | | |
| 09 65 366 6810 | 3.1 ± 0.1 | 2 | 31892 | 22/04/04 | JH | HARTING EURL F-95972 Paris | | | | |
| 09 65 366 7810 | 3.1 ± 0.1 | 3 | 29723 | 05/03/02 | CV | | | | | |
| Part number | ø hole | Performance level | Mod. | Det. | Name |  | | | TB 0965366x81x Sub. | Blatt/ Page 2 |