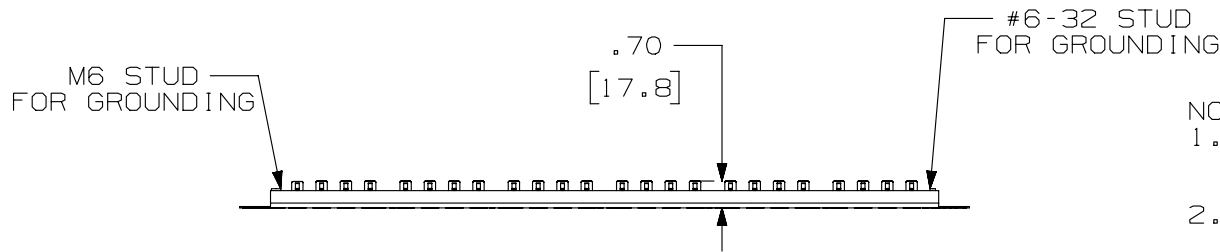


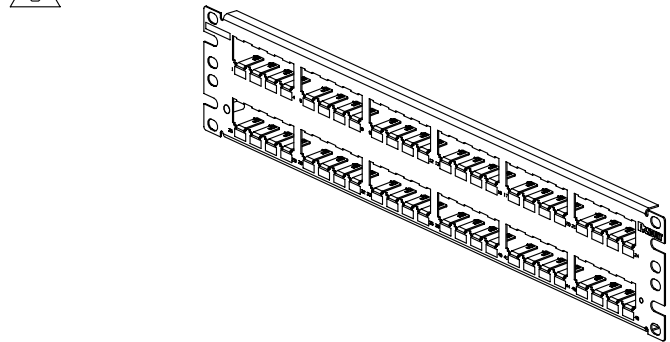
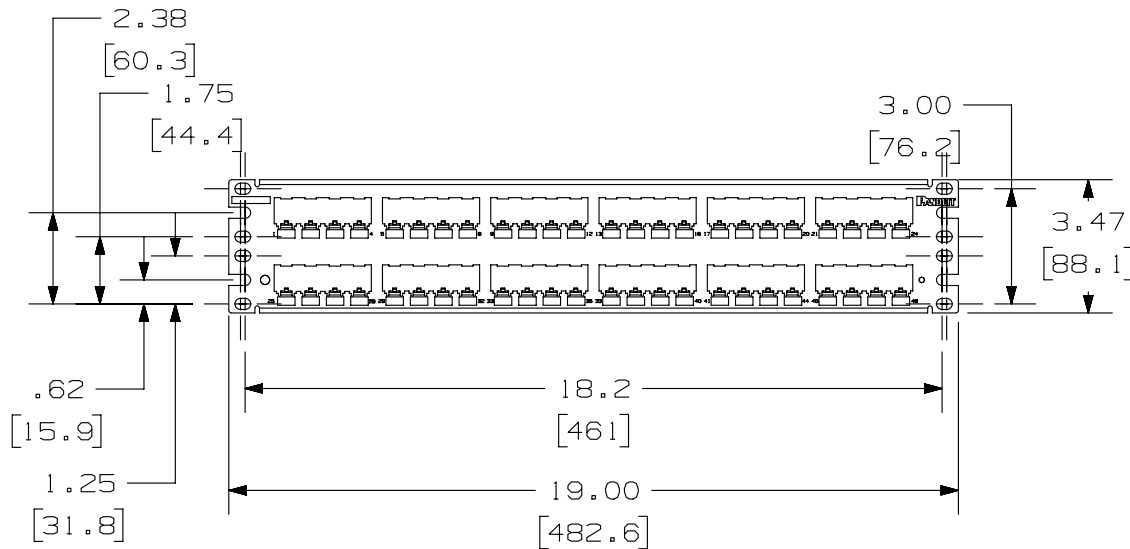
THIS COPY IS PROVIDED ON A RESTRICTED BASIS AND IS NOT TO BE USED IN ANY WAY DETRIMENTAL TO THE INTERESTS OF PANDUIT CORP.



PANDUIT P/N	WEIGHT
CP48**Y	6.51 LB/10 PCS (2952.9 g/10 PCS)

NOTES:

- SEE CURRENT CATALOG FOR ADDITIONAL PART NUMBER SUFFIXES TO INDICATE COLOR AND OR PACKAGE QUANTITY.
 - SEE CATALOG FOR COMPLETE LIST OF PARTS APPLICABLE FOR USE WITH THIS PART.
 - DIMENSIONS IN [] ARE IN METRIC.
 - PACKAGE CONTENTS:
 - 1- 48 PORT STAMPING
 - 1- SCREW KIT (INCLUDES FOUR #12-24 SCREWS AND FOUR LOCK WASHERS)
 - 1- SCREW KIT (INCLUDES FOUR M6 SCREWS)
 - 1- REMOVAL TOOL (CPT)
4. PATCH PANELS ACCEPT SNAP-IN MINI-COM SHIELDED MODULES.



PART NUMBER		CP48**Y		
TITLE				
MINI-COM 48 PORT ALL METAL MODULAR PATCH PANEL				
CUSTOMER DRAWING				
ITEM REVISION NAME		M02479CI/00		
DATASET FILE NAME		M02479CI_DC62/00C		
UNLESS OTHERWISE SPECIFIED, DIMENSIONAL TOLERANCES ARE: IN [mm]				MATERIAL:
.x ± .xxx ± .010 [.3]				20 GAGE STAINLESS STEEL
.xx ± .03 [.8]				ANGLES ±
THIRD ANGLE PROJECTION				DRAWING NUMBER:
				02479-062
DRAWN BY	DATE	CHK	SCALE	SIZE
JSP	5-2-06	MJD	NONE	A

REV	DATE	BY	CHK	APR	DESCRIPTION	ECN
2	3-14-14	SCAL			B. REVISED DRAWING TITLE BLOCK, C. ADDED "SHIELDED" TO NOTE 4.	02479-062
1	6-16-06	JSP	MJD	MJD	A. ADDED GROUNDING STUD CALLOUTS.	02479-062
R	5-2-06	JSP	MJD	MJD	RELEASED TO PRODUCTION	02479-062

D10100DA/14