

SMD Power Inductor CEP123



Description

- Ferrite core construction.
- Magnetically shielded.
- L × W × H: 12.8 × 12.8 × 3.5 mm Max.
- Product weight: 1.5g(Ref.)
- Moisture Sensitivity Level: 1
- RoHS compliance.

Environmental Data

- Operating temperature range: -40°C ~ +100°C (including coil's self temperature rise)
- Storage temperature range: -40°C ~ +100°C
- Solder reflow temperature: 260 °C peak.

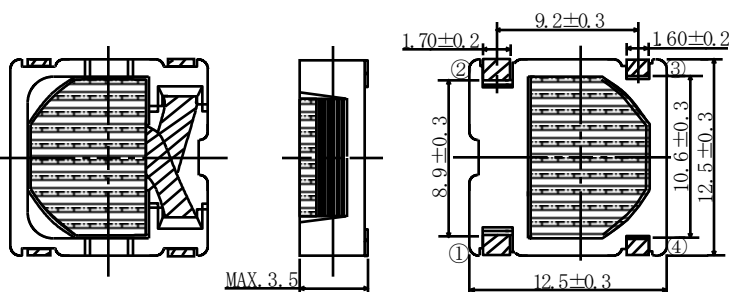
Packaging

- Carrier tape and reel packaging
- 13.0" diameter reel
- 1000pcs per reel

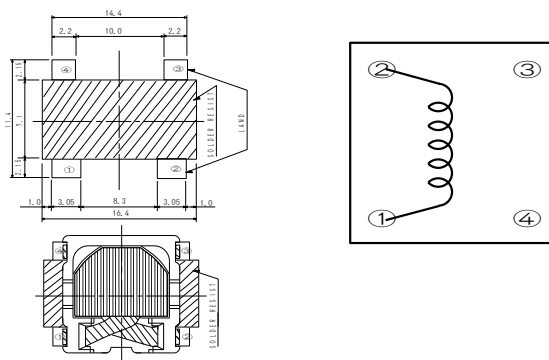
Applications

- Ideally used in portable computer CPU power supply.

Dimension - [mm]



Land pattern and Schematics - [mm]



Electrical Characteristics

PART No.	STAMP	INDUCTANCE [WITHIN] ※ 1	D.C.R.(mΩ) [MAX.] (Typ) (at 20°C)	RATED CURRENT (A) ※ 2
CEP123NP-1R2MC	1R2	1.2μH ± 20%	5.83(4.86)	10.0
CEP123NP-2R0MC	2R0	2.0μH ± 20%	7.40(6.14)	8.0
CEP123NP-3R2MC	3R2	3.2μH ± 20%	14.20(11.84)	5.8
CEP123NP-4R6MC	4R6	4.6μH ± 20%	17.10(14.26)	5.2
CEP123NP-6R3MC	6R3	6.3μH ± 20%	20.26(16.88)	4.6
CEP123NP-8R0MC	8R0	8.0μH ± 20%	23.00(19.18)	4.0

※ 1. Measuring condition: at 100 kHz.

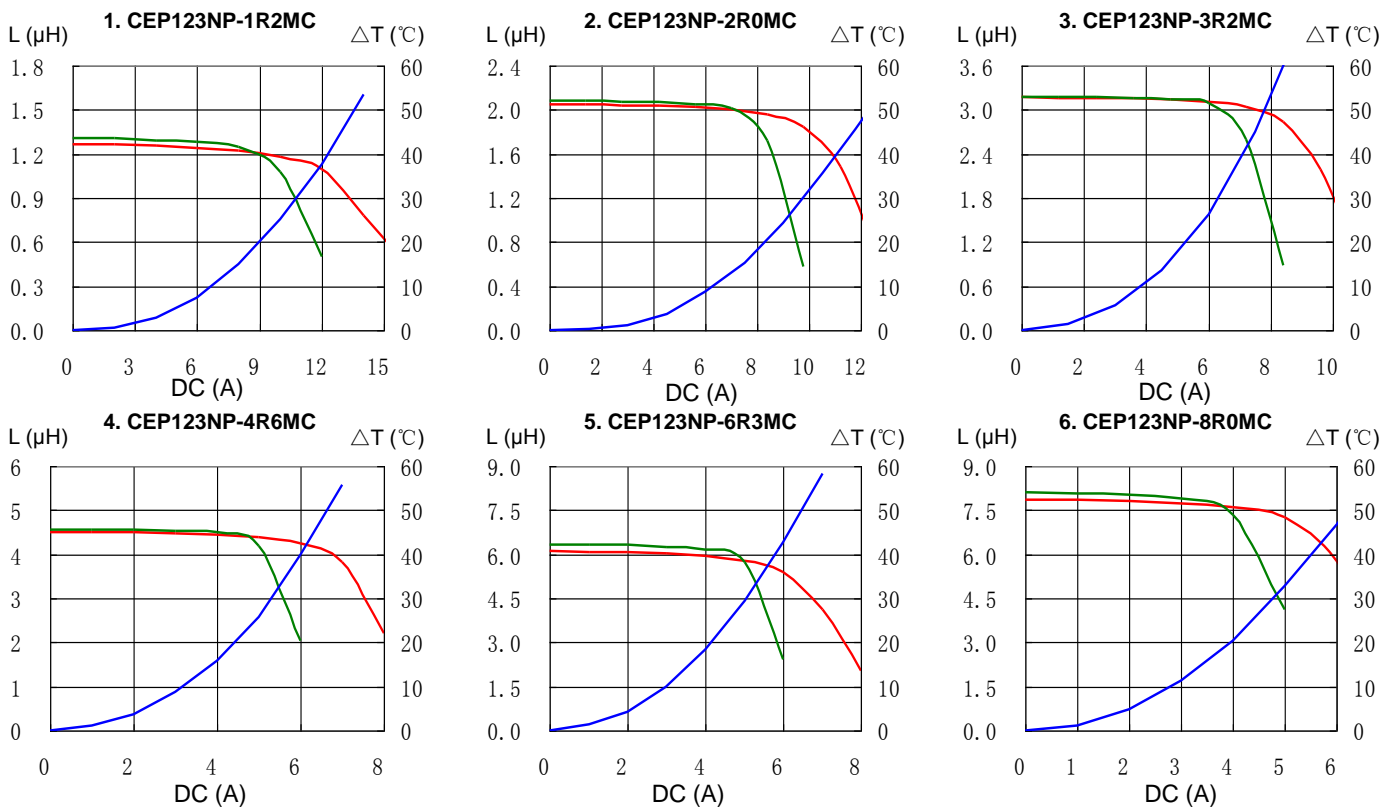
※ 2. Rated current: The DC current at which the inductance decreases to 75% of its nominal value or when Δt=40°C, whichever is lower.

SMD Power Inductor CEP123



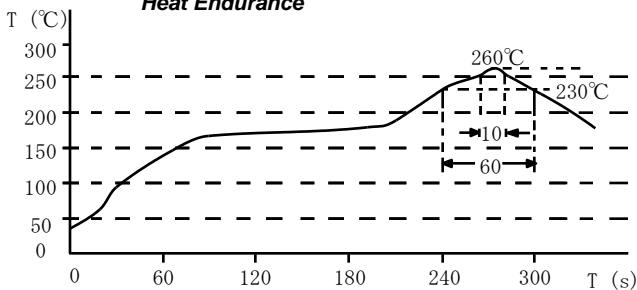
Saturation Current & Temperature Rise Graph

— L (20°C) — L (100°C) — ΔT

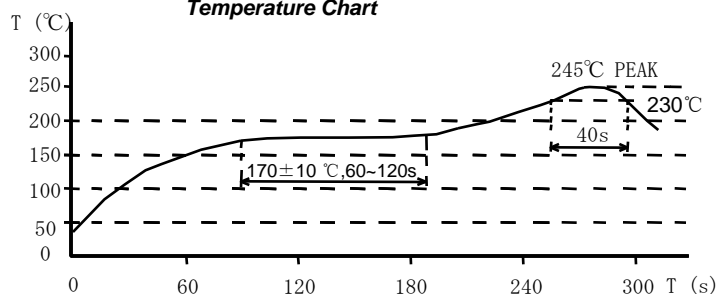


Solder Reflow Condition

Heat Endurance



Temperature Chart



Please refer to the sales offices on our website - <http://www.sumida.com>

Hong Kong

Tel.+852-2880-6781
FAX.+852-2565-9600
sales@hk.sumida.com

Saitama(Japan)

Tel.+81-48-691-7300
FAX.+81-48-691-7340
sales@jp.sumida.com

Chicago

Tel.+1-847-545-6700
FAX. +1-847-545-6720
sales@us.sumida.com

Shanghai

Tel.+86-21-5836-3299
FAX.+86-21-5836-3266
shanghai.sales@cn.sumida.com

Seoul

Tel.+82-2-6237-0777
FAX.+82-2-6237-0778
sales@kr.sumida.com

Obernzell

Tel.+49-8591-937-0
FAX. +49-8591-937-103
contact@eu.sumida.com

Shenzhen

Tel.+86-755-8291-0228
FAX.+86-755-8291-0338
shenzhen.sales@cn.sumida.com

Singapore

Tel.+65-6296-3388
FAX.+65-6841-4426
sales@sg.sumida.com

Neumarkt

Tel.+49-9181-4509-110
FAX. +49-9181-4509-310
infocomp@eu.sumida.com

Taipei

Tel.+886-2-8751-2737
FAX.+886-2-8751-2738
sales@tw.sumida.com

San Jose

Tel.+1-408-321-9660
FAX.+1-408-321-9308
sales@us.sumida.com