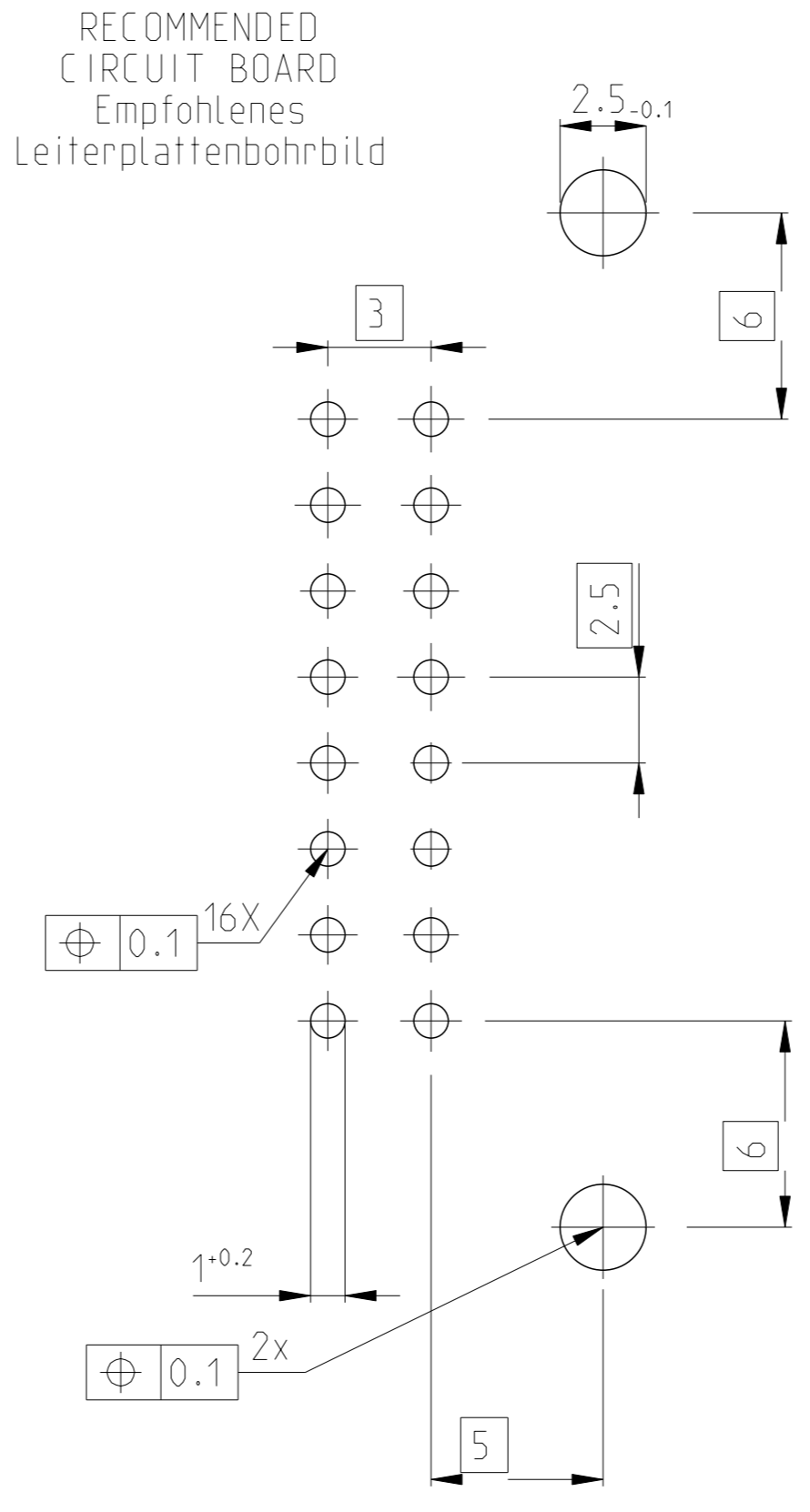
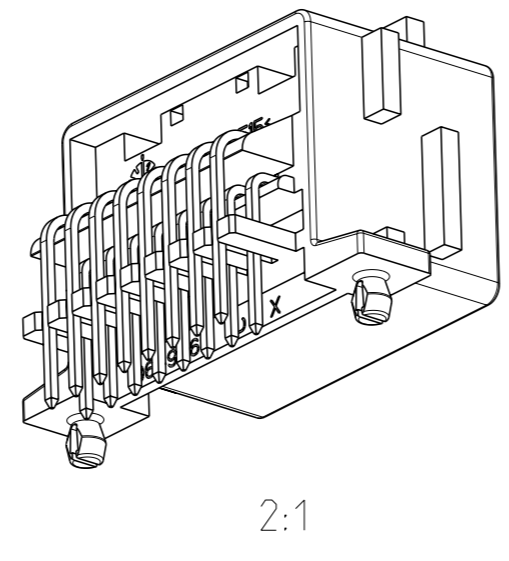
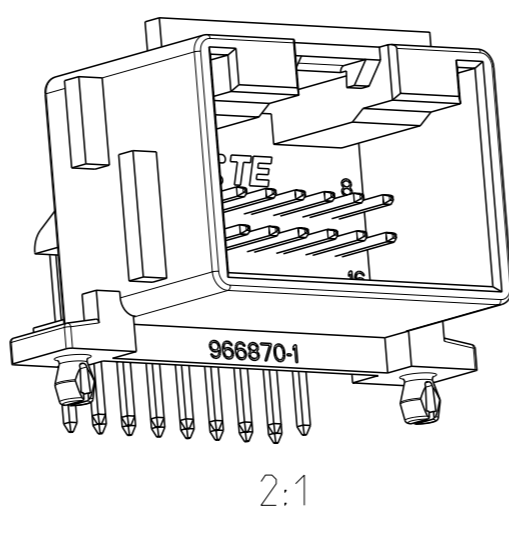
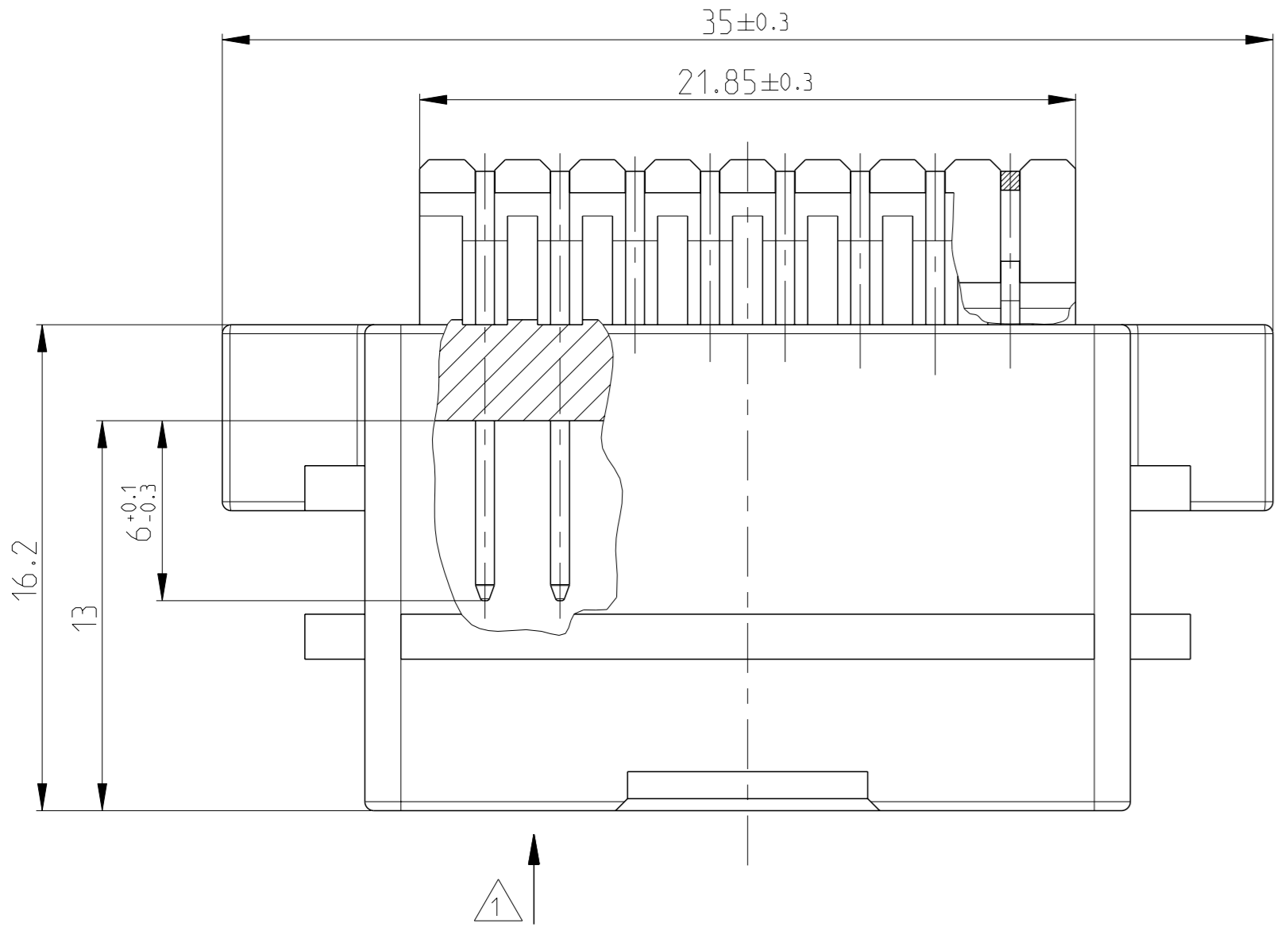
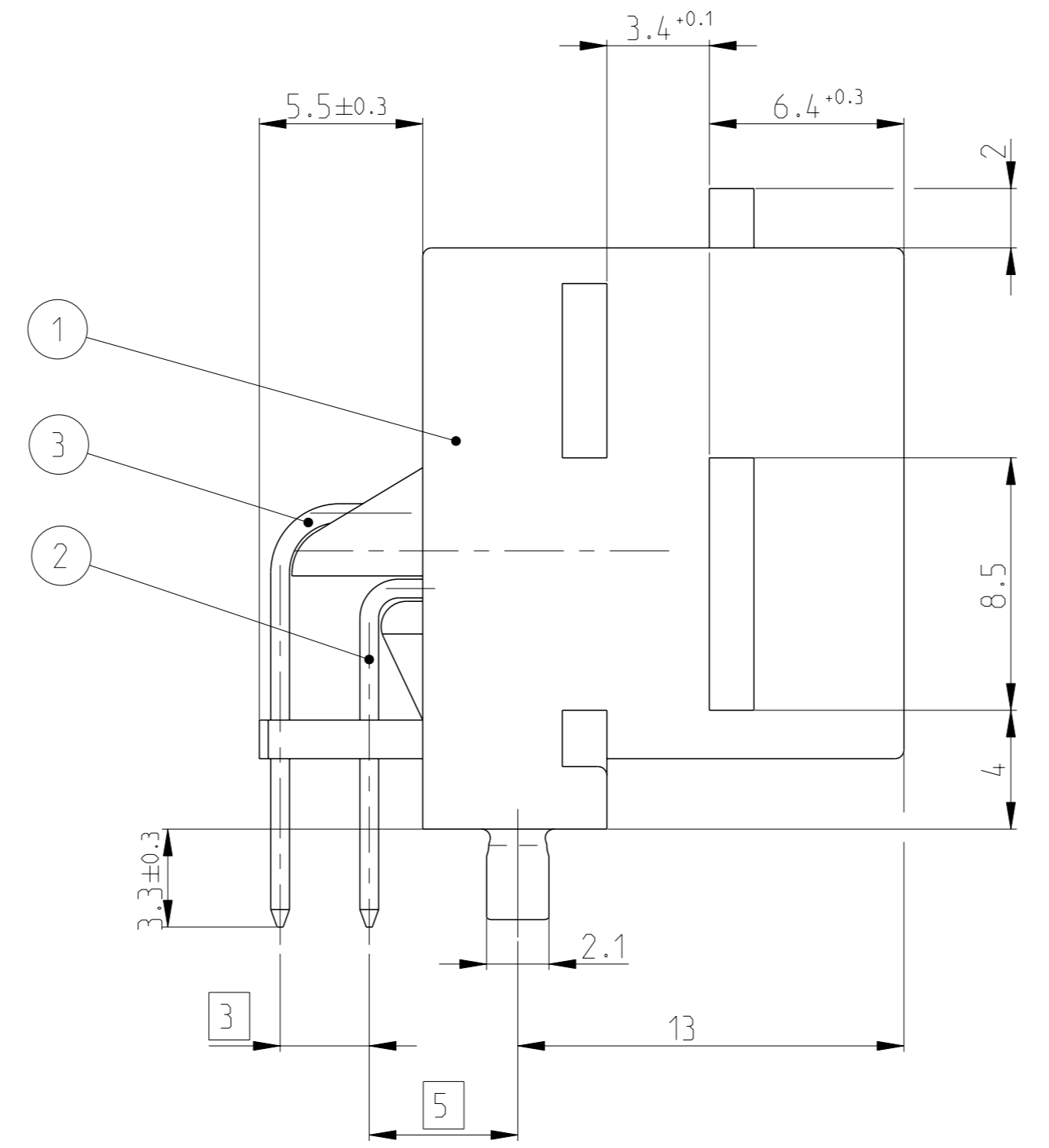
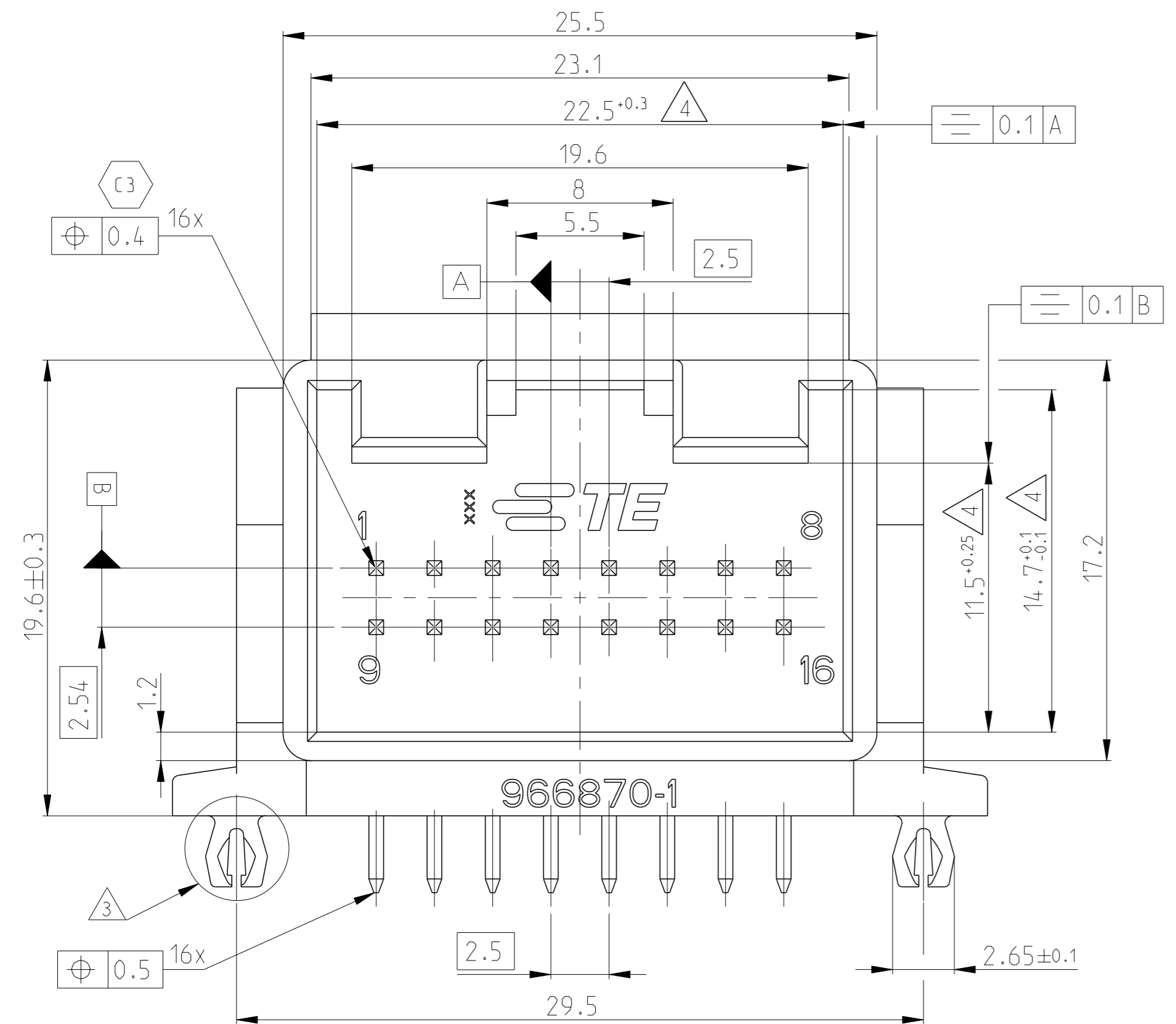
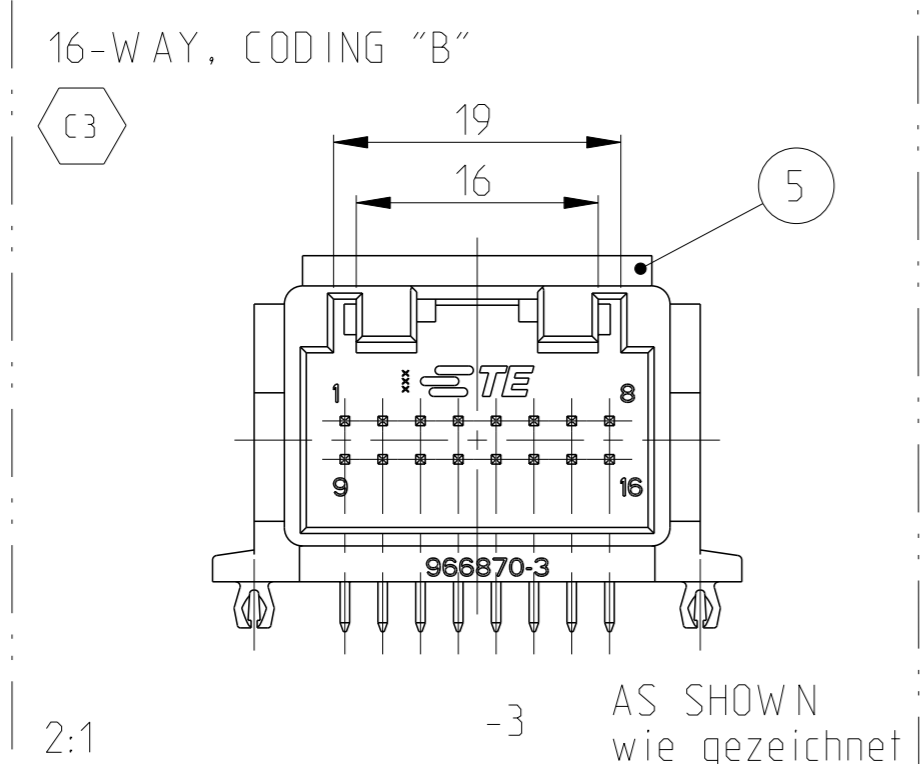
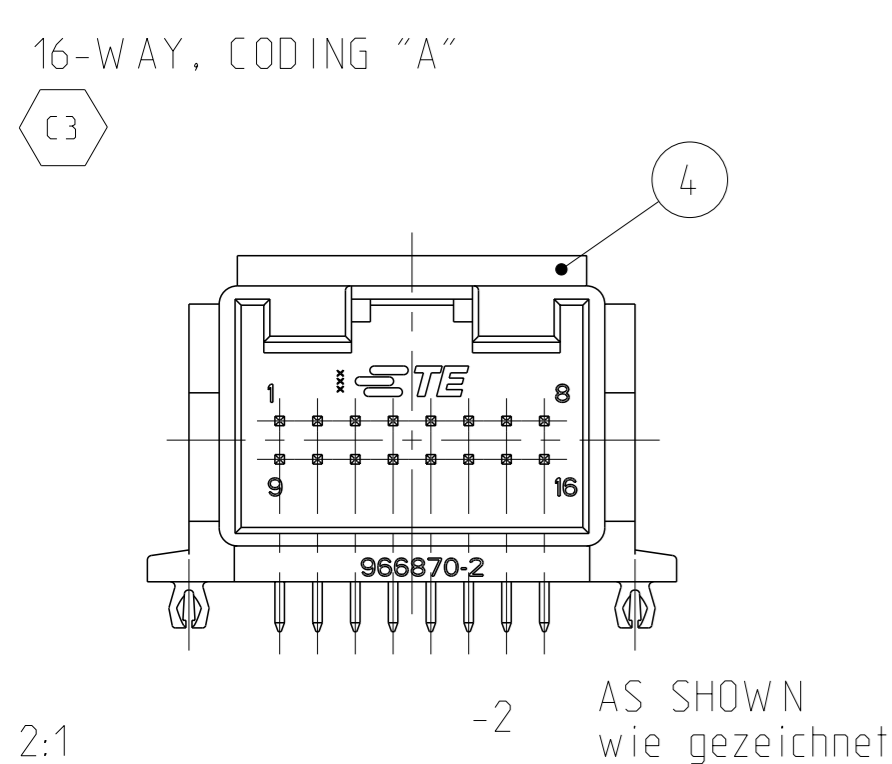


PROJECT NO. A95-55355		REVISIONS			
#	DATE	DESCRIPTION	DATE	OWN	APVD
B	05AUG1998	Revision angepasst	05AUG1998	KS	-
C1	31JAN2001	Revision angepasst	31JAN2001	KS	-
C2	04MAR2009	NEW PACKAGING	04MAR2009	PS	MZ
C3	27SEP2016	NEW VERSIONS ADDED	27SEP2016	JB,JH	GB



- 1 CONTACT PRESS OUT FORCE MIN. 40N
Kontaktausdruckkraft min. 40N
- 2 SUITABLE CONNECTOR/Passender Anschlussstecker:
 SHIELDS VW/AUDI : 969421
 Abdeckkappen VW/Audi : 969444
 SHIELDS NEUTRAL : 969545
 Abdeckkappen Neutral : 1355361
 CONTACT HOUSING : 828929-2
 Kontaktgehäuse : 966596-X
- 3 LOCKING PIN FOR PCB THICKNESS 1.5mm
Rastzapfen fuer Leiterplattendicke 1.5mm
- 4 TOOL DEPENDENT WARPAGE MAX. 0.3 PERMITTED
Formbedingter Einfall max. 0.3 zul.
- 5 PACKAGING A/ Verpackung A:
 BOX PN 740906-1
 Karton PN
 TRAY PN 740966-2
 Tray PN
 CORRUGATED INNER LAYER (338x535mm)
 Zwischenlage
- 6 PACKAGING B/ Verpackung B:
 BOX PN 740906-1
 Karton PN
 TRAY PN 740966-2
 Tray PN
 BAG PN 1379066-3
 Beutel PN



-1 AS SHOWN
1-1 wie gezeichnet

TE-ORDER-NO.	REV.	CODING	PACKAGING	DESCRIPTION	SURFACE COLOR	MATERIAL	QTY.	ITEM NO.
1-966870-1	C	A	B	MODU II PIN (26.9mm)	TIN-PLATED	CuSn6	8	3
				MODU II PIN (21.7mm)	TIN-PLATED	CuSn6	8	2
966870-3	C	B	A	2X8 POS. PIN-HEADER	BLACK	PBT-GF 15	1	1
				MODU II PIN (26.9mm)	TIN-PLATED	CuSn6	8	3
966870-2	C	A	A	MODU II PIN (21.7mm)	TIN-PLATED	CuSn6	8	2
				2X8 POS. PIN-HEADER	BROWN	PBT-GF 15	1	4
966870-1	C	A	A	MODU II PIN (26.9mm)	TIN-PLATED	CuSn6	8	3
				MODU II PIN (21.7mm)	TIN-PLATED	CuSn6	8	2
				2X8 POS. PIN-HEADER	BLACK	PBT-GF 15	1	1

THIS DRAWING IS A CONTROLLED DOCUMENT. DIMENSIONS: mm. TOLERANCES UNLESS OTHERWISE SPECIFIED: 1. PLC ±0.1, 2. PLC ±0.2, 3. PLC ±0.3, 4. ACC. TO DIM. CENTRIC TO NOMINAL DIM ±0.2. MATERIAL: -. FINISH: -. WEIGHT: 5.667g. CUSTOMER DRAWING. DATE: 07/MAR/1996. DWN: K.Sellien, CHK: B.Kirsch, APVD: -. PRODUCT SPEC: -. APPLICATION SPEC: -. SIZE: A1. CAGE CODE: 00779. DRAWING NO: 966870. RESTRICTED TO: -. SCALE: 5:1. SHEET: 1 OF 1. REV: C3.