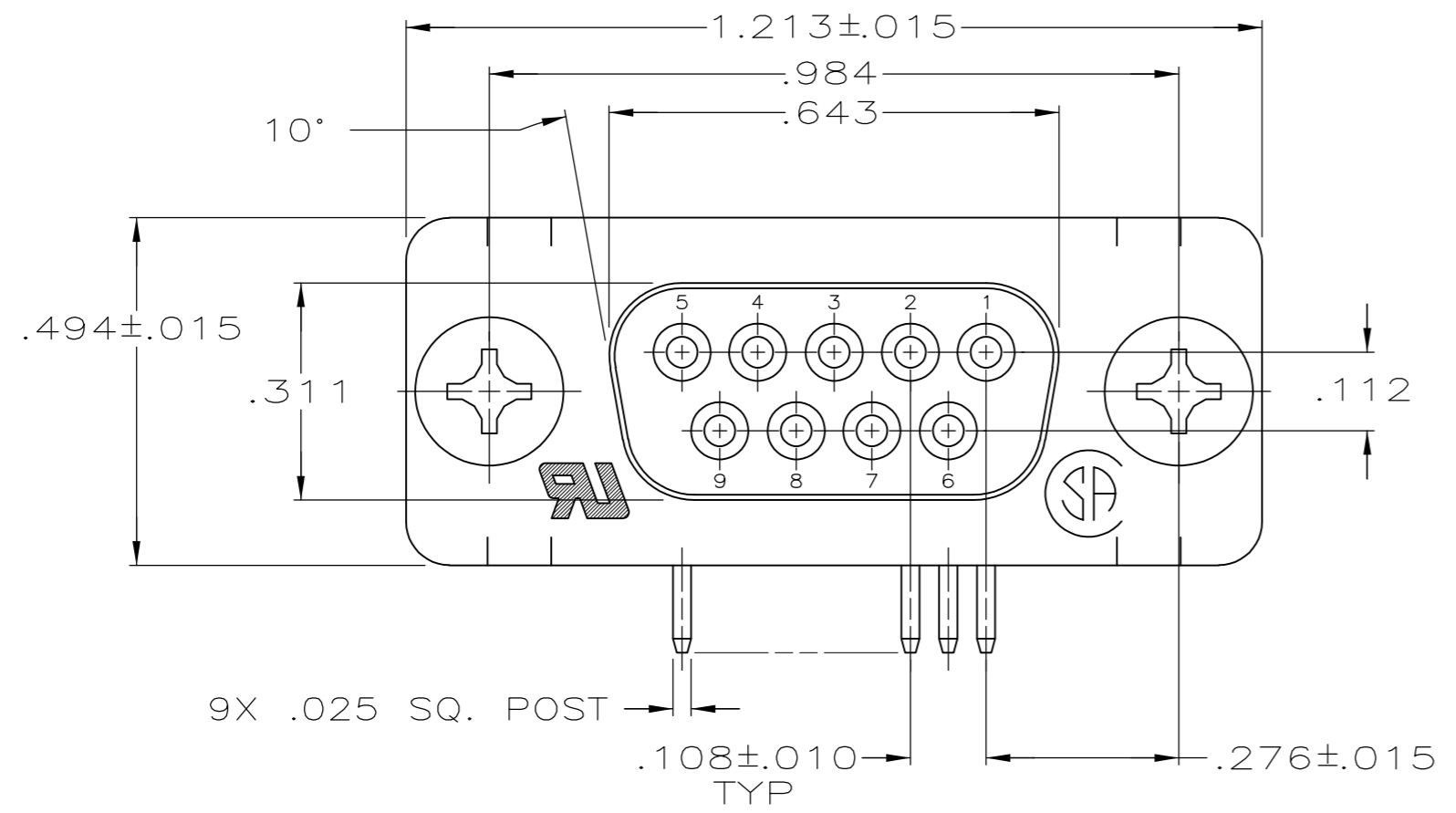
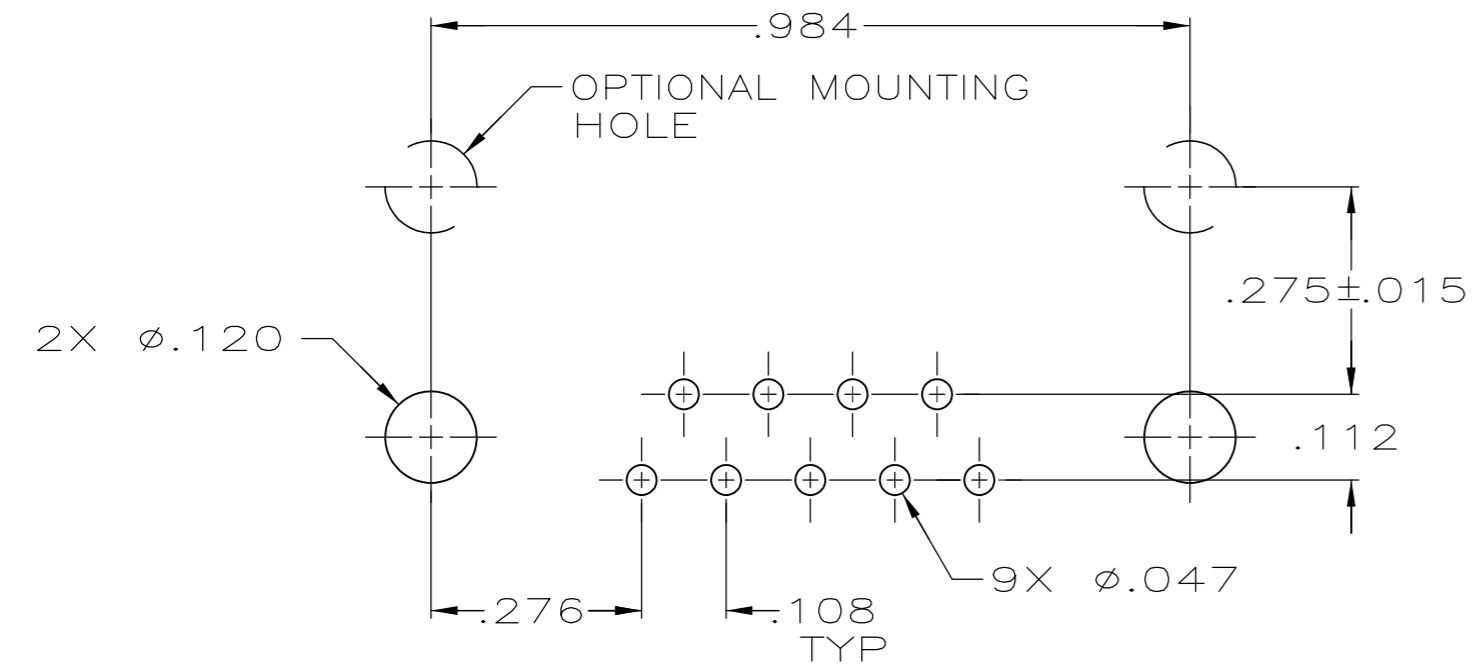
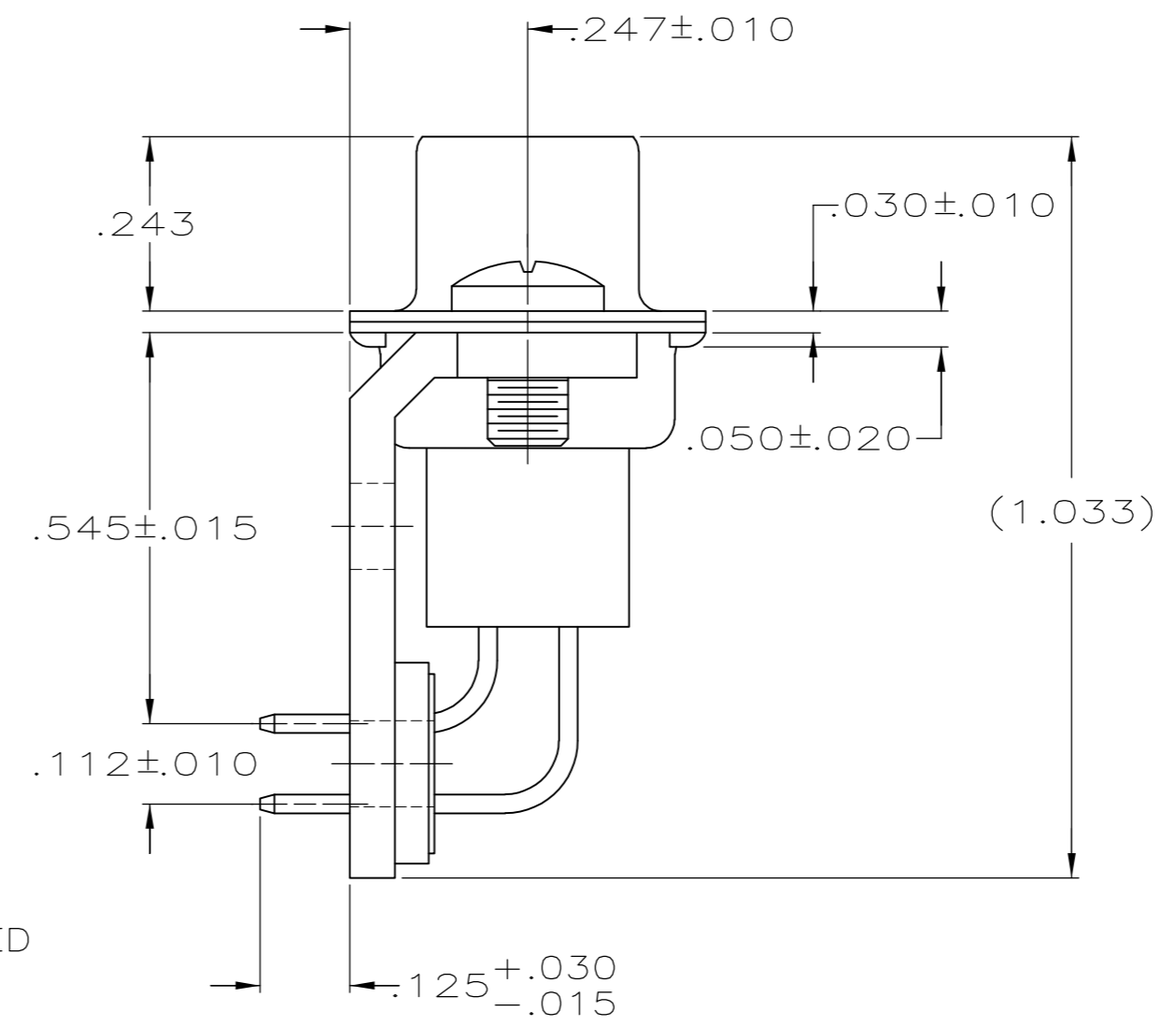
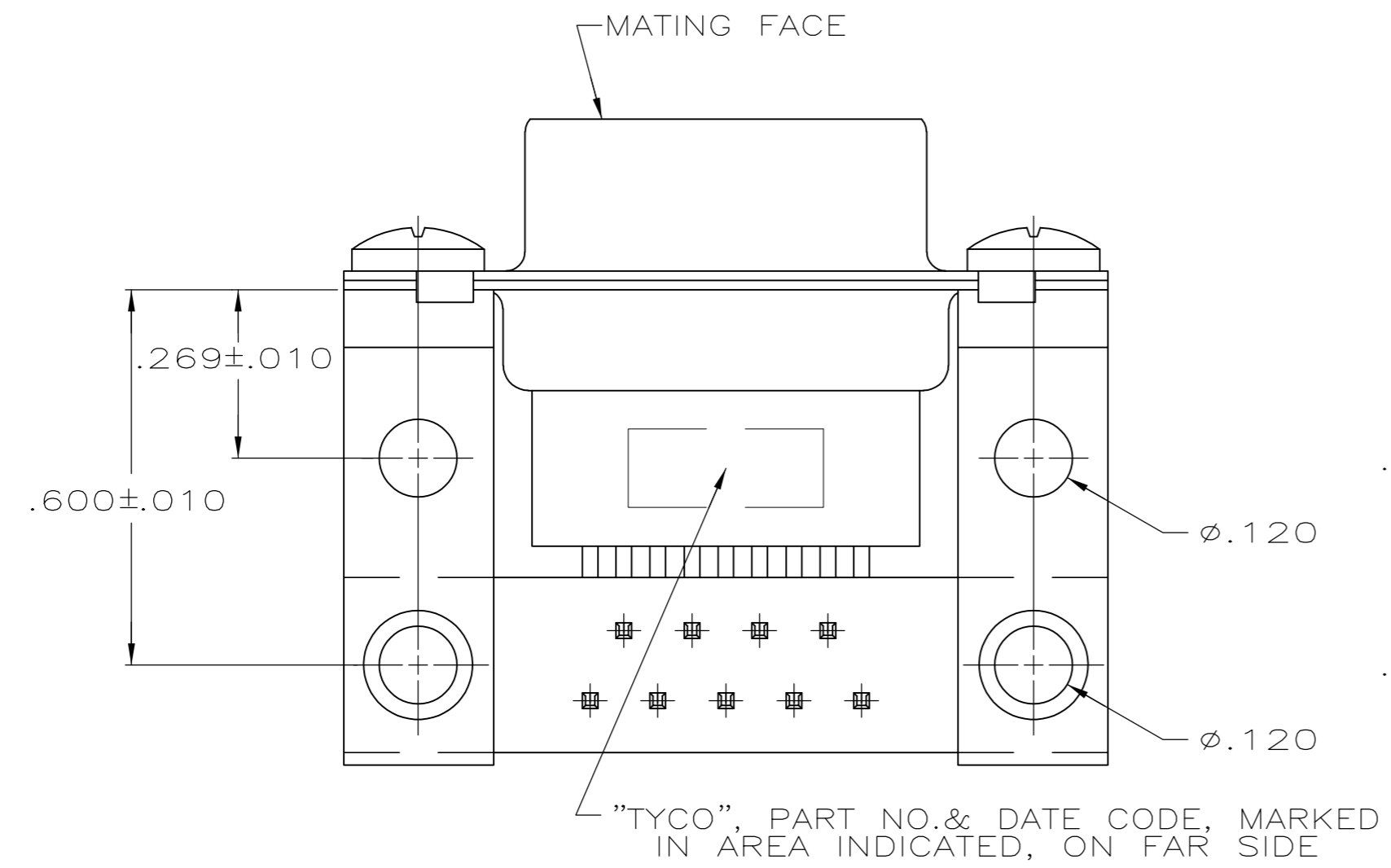


THIS DRAWING IS UNPUBLISHED. RELEASED FOR PUBLICATION
 © COPYRIGHT 2005 By - ALL RIGHTS RESERVED.

LOC		DIST		REVISIONS			
GP	00	P	LTR	DESCRIPTION	DATE	DWN	APVD
		B		REVISED PER ECO-14-011808	11AUG2014	AP	SB



- 1 MOLDED PARTS: GLASS-FILLED PBT OR GLASS-FILLED NYLON, UL94V-0 RATED. COLOR BLACK.
SHELLS & BRACKETS: CARBON STEEL
CONTACTS: PHOS BRONZE
- 2 SHELLS: .000200 MIN TIN OVER .000100 MIN COPPER.
BRACKETS: .000200 MIN TIN OVER .000050 MIN COPPER.
CONTACTS: .000030 MINIMUM GOLD FOR A LENGTH OF .100 MINIMUM FROM MATING END, .000100 MINIMUM TIN ON OPPOSITE END, BOTH OVER .000050 MINIMUM NICKEL
-OR-
GOLD FLASH OVER .000030 MINIMUM PALLADIUM NICKEL PLATED FOR LENGTH OF .100 MINIMUM FROM MATING END, .000100 MINIMUM TIN ON OPPOSITE END, BOTH OVER .000050 MINIMUM NICKEL.



5745112

5745112-2
PART NUMBER

THIS DRAWING IS A CONTROLLED DOCUMENT.		DWN D. HENNY 8-21-05		
DIMENSIONS: INCHES		CHK S. BOLASH 8-21-05		
TOLERANCES UNLESS OTHERWISE SPECIFIED:		APVD M. WALMSLEY 8-21-05	NAME	
0 PLC ± -		PRODUCT SPEC		RECEPTACLE ASSEMBLY, SIZE 1, 9 POSITION., RIGHT ANGLE, .545 SERIES, .025 SQ. POSTS, AMPLIMITE HDP
1 PLC ± -		APPLICATION SPEC		
2 PLC ± -		108-40025		SIZE
3 PLC ± .005		114-40013		CAGE CODE
4 PLC ± -		WEIGHT		DRAWING NO
ANGLES ± 2°		A2 00779		RESTRICTED TO
FINISH		C=5745112		
1		CUSTOMER DRAWING		SCALE 4:1
2		SHEET 1 of 1		REV B