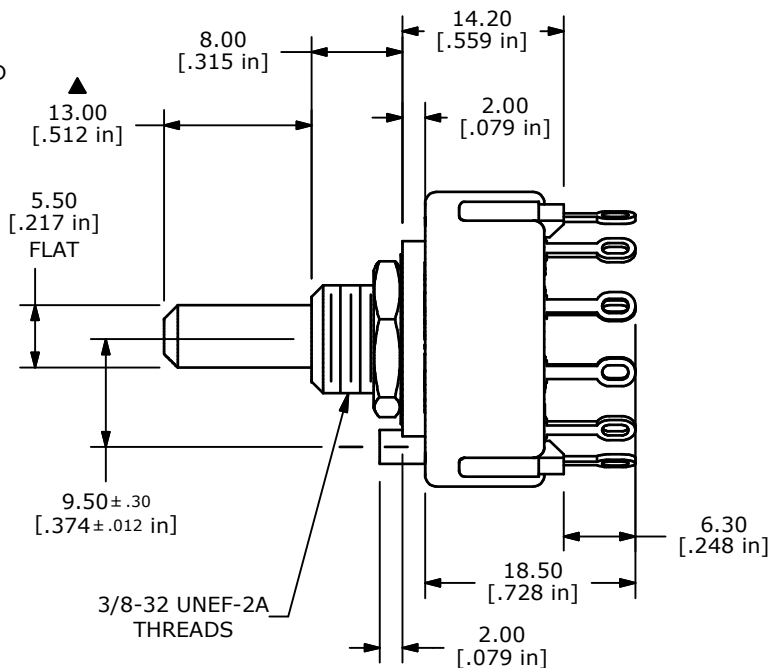
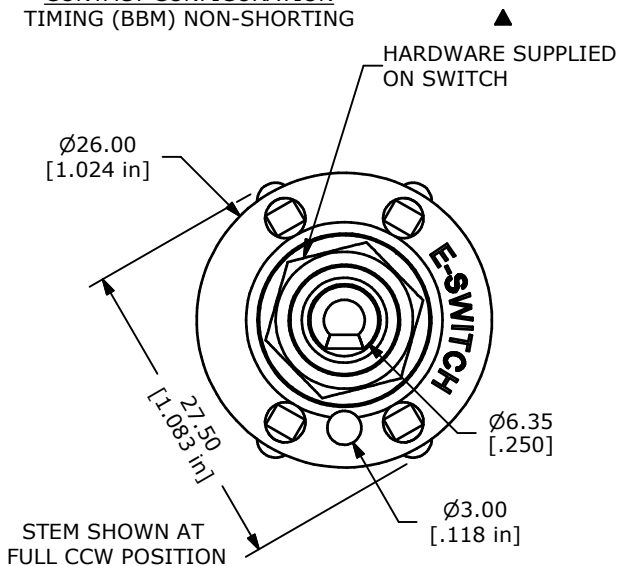
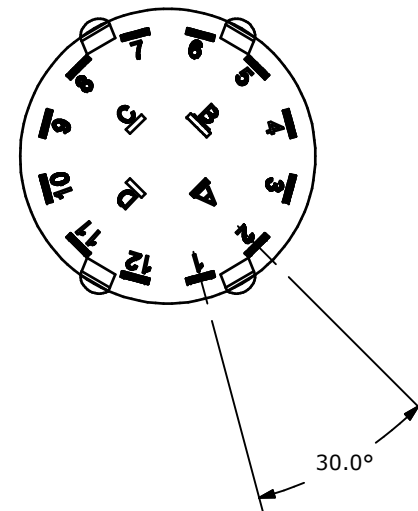
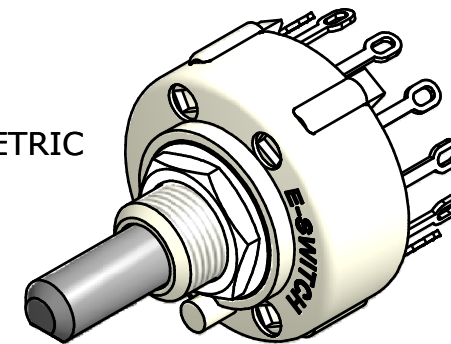


CONTACT CONFIGURATION
TIMING (BBM) NON-SHORTING

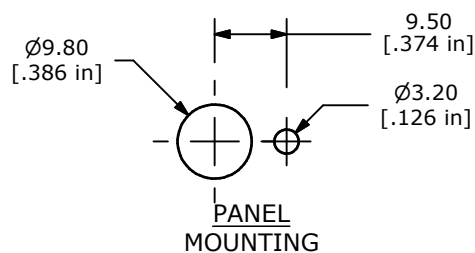


ISOMETRIC



NOTE:

1. ALL DIMENSIONS IN MM[INCH].
2. GENERAL TOLERANCE: X.X=± 0.4
X.XX=± 0.25
3. TERM. NOS. FOR REFERENCE ONLY.
4. CONTACT MATERIAL: SILVER
5. CONTACT RATING: 0.3A @ 125 VAC
6. CONTACT RATING (NON-SWITCHING) 5A
7. OPERATING TORQUE: 0.8 ± 0.3 Kg/cm
8. OPERATING TEMP: -30°C TO 85°C
9. CIRCUIT SP: 12 POSITION 30° INDEX.
- ▲10. DIELECTRIC STRENGTH: 1000V RMS MIN. @ SEA LEVEL.
11. HARDWARE SUPPLIED ON SWITCH:
▲ LOCKWASHER, HEXNUT
12. DENOTES CRITICAL PARAMETER.
13. ▲002/95/EC (ROHS) COMPLIANT



TITLE KC52A13.001NLS

A	18277	RELEASED FOR PRODUCTION	10/21/08	BLR
REV	PCR NO	DESCRIPTION	DATE	BY

SCALE	DATE	DR	DWG	REV
1.5:1	10/21/2008	BLR	G510364	A

THE INFORMATION CONTAINED IN THIS DOCUMENT IS PROPRIETARY TO E-SWITCH AND IS NOT TO BE COPIED OR TRANSFERRED