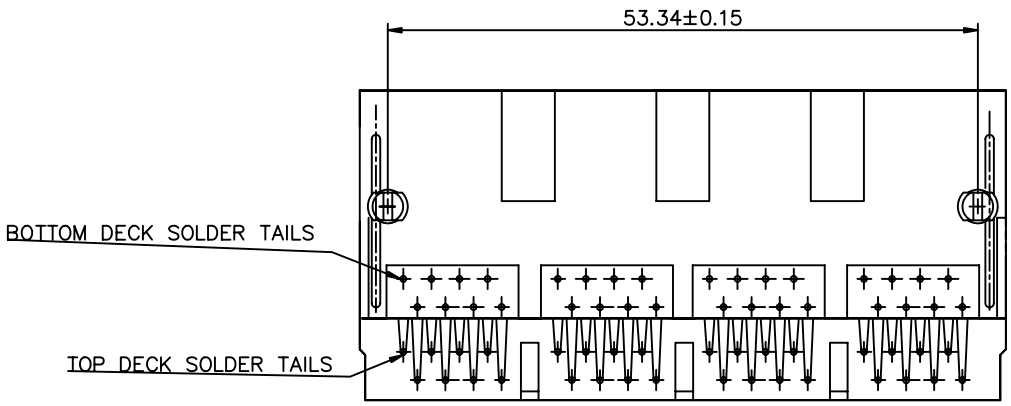
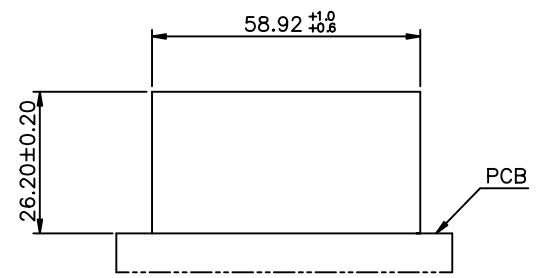
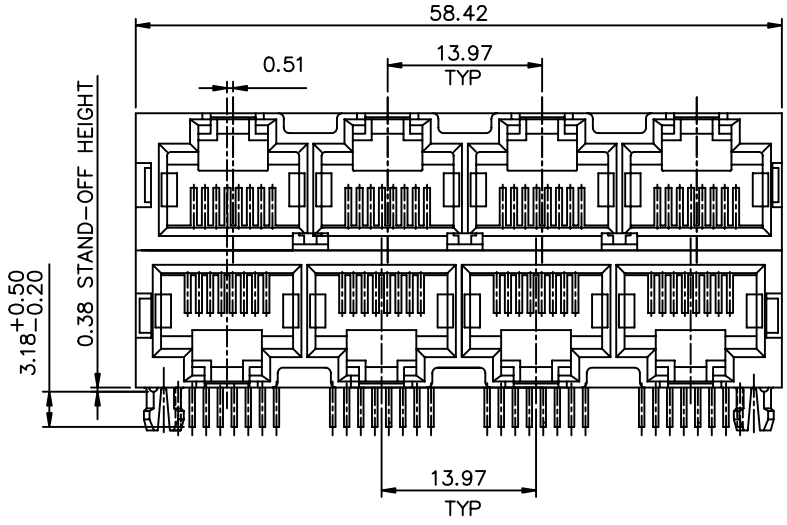
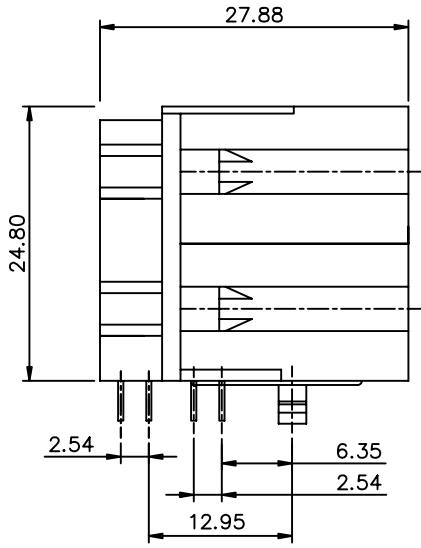


Tous droits strictement reserves. Reproduction ou communication a des tiers int sous quelque forme que ce soit sans autorisation écrite du propriétaire. Property of c BERG ELECTRONICS. Droits de reproduction BERG ELECTRONICS by



All rights strictly reserved. Reproduction or issue to third parties in any for whatever is not permitted without written authority from the proprietor. Property of c BERG ELECTRONICS. Copyright BERG ELECTRONICS by



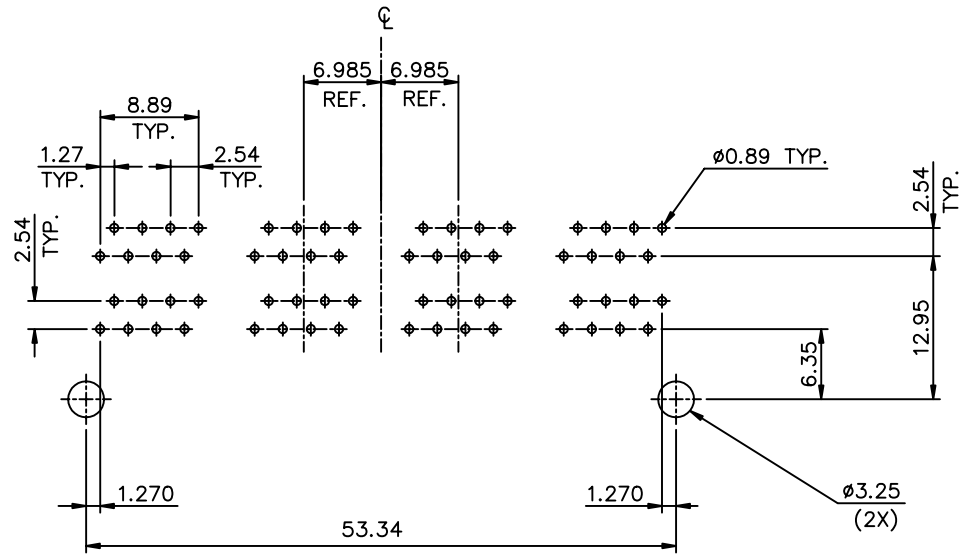
RECOMMENDED PANEL CUT-OUT

mat'l code		tolerance unless otherwise specified		CUSTOMER COPY	www.fciconnect.com
rev.	ecn no.	dr	date	linear	
A	N05-0178	ZC	6/21/05	.0 ± 0.25	
B	N06-0185	LONG	7/07/06	.00 ± 0.13	
				.000 ± 0.05	
				angles ± 2°	unit
				dr Zhengcai Tao 6/16/05	mm/inch
				enrg Zhengcai Tao 6/16/05	scale
				chr Zhengcai Tao 6/16/05	2:1
				appd Jason Zhou 6/16/05	size
sheet	revision	B	B		A3
index	sheet	1	2		product family
					MOD JACK
					code
					NT
					sheet
					1 OF 2

PRODUCT NO.	PORT NUMBERS	PACKAGING	REMARKS	PLATING
10057285-004-R 10057285-004-RLF	4x2	USING TRAY	AVAILABLE	30 $\nu$ " G.X.T.
10057285-304-R 10057285-304-RLF				30 $\nu$ " GOLD.
10057285-504-R 10057285-504-RLF				50 $\nu$ " GOLD.

NOTES:

- RECOMMENDED P.C.B THICKNESS 1.60 MM
- HOUSING MAT'L: NYLON 6/6, 25% G.F.,UL 94V-0, COLOR - BLACK.
- CONTACTS: PHOS BRONZE ALLOY UNS-C51000,  $\phi$  0.460 ROUND WIRE, PLATING SEE TABLE.
- THE PRODUCT MEETS EUROPEAN UNION DIRECTIVES AND OTHER COUNTRY REGULATIONS AS DESCRIBED IN GS-22-008
- THE HOUSING WILL WITHSTAND EXPOSURE TO 260° PEAK TEMPERATURE FOR 10 SECONDS IN A WAVE SOLDER APPLICATION WITH A 1.60MM MINIMUM THICK CIRCUIT BOARD.
- IF LF P/N PACKAGING MEETS GS-14-920 SPECIFICATION.



RECOMMENDED P.C.B LAYOUT  
COMPONENT SIDE

mat'l code				tolerance unless otherwise specified			CUSTOMER COPY		FCJ www.fciconnect.com	
rev.	ecn no.	dr	date	linear	.0 ± 0.25		projection	title RJ45 DOUBLE DECK GANG JACK ASSY		
B					.00 ± 0.13					
					.000 ± 0.05					
				angles	± 2°		unit mm/inch scale 2:1 A3	product family MOD JACK		code NT
		dr	Zhengcai Tao	6/16/05	size dwg no.			10057285		sheet 2 OF 2
		enqr	Zhengcai Tao	6/16/05						
		chr	Zhengcai Tao	6/16/05						
		appd	Jason Zhou	6/16/05						
sheet	revision									
index	sheet									