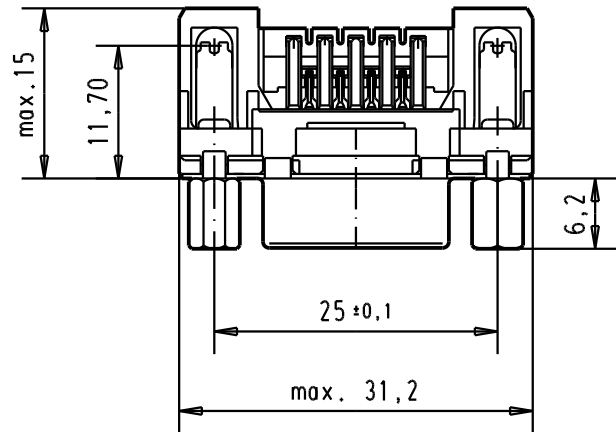
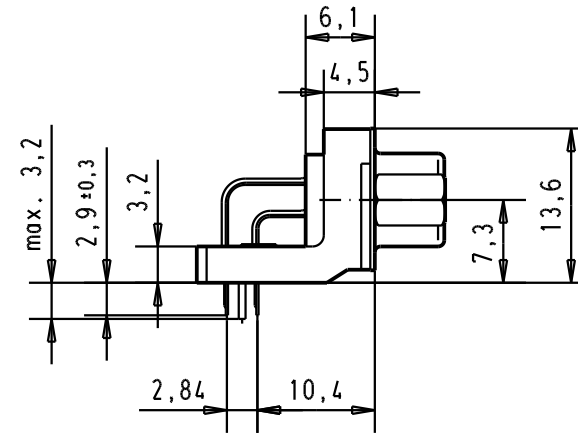
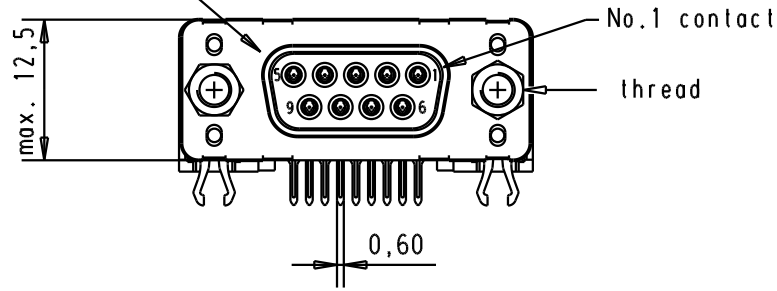
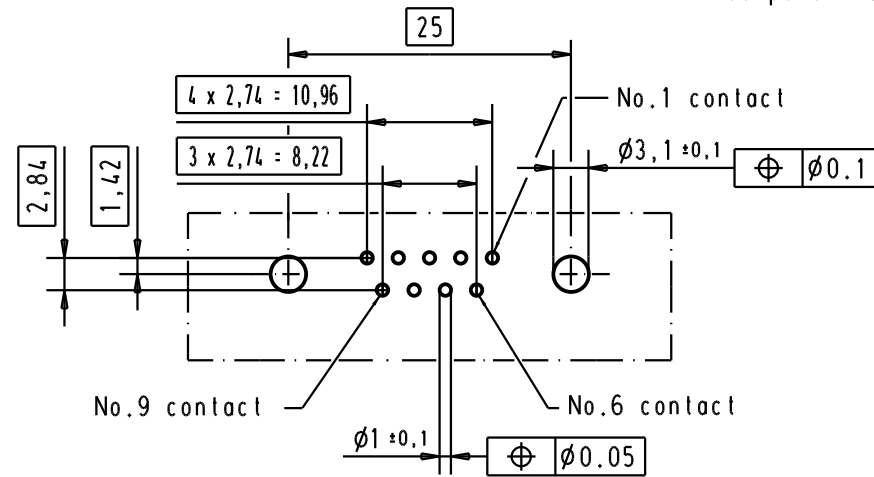




Mating face according to : MIL-C-24308 / DIN 41652 / CECC 75301-802



PCB layout hole component side



Connector retention and insertion forces on the PCB = 25 / 80 newtons

A							Det.	Name	 All Dim. in mm Orig. Size DIN A 4	D-Sub 09 poles standard angle female, solder pin with screw lock and grounding board lock.	Maßstab/ Scale 1.5:1	
	09 66 153 3633	M3	1				Detail.	04/SEP/02				YT
	09 66 153 6633	M3	2				Insp.					
	09 66 153 7633	M3	3				Stand.					
	09 66 153 3613	4-40 UNC	1									
	09 66 153 6613	4-40 UNC	2	31892	05/05/04	JH	HARTING EURL F-95972 Paris			TB 0966153x6x3	Blatt/ Page 1 /	
	09 66 153 7613	4-40 UNC	3	31084	04/SEP/02	YT						
	Part number	Screw lock thread	Performance level	Mod.	Det.	Name				Sub.		