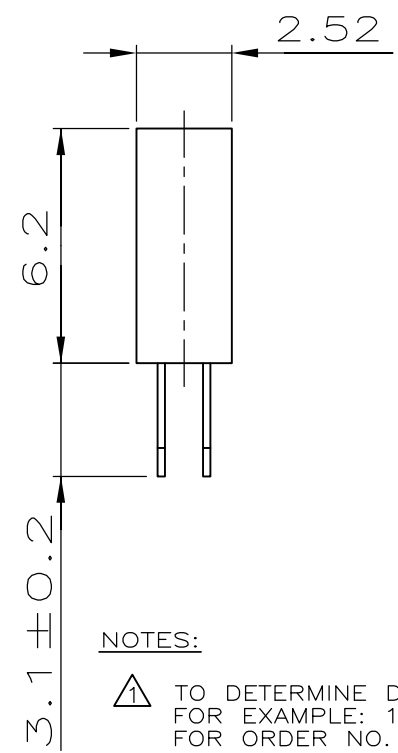
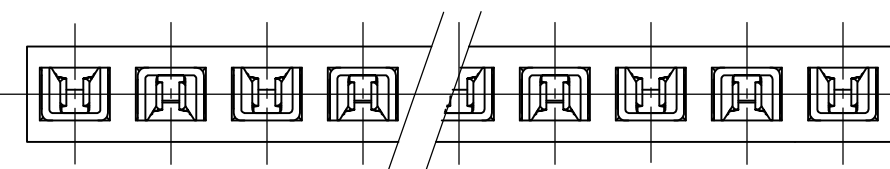
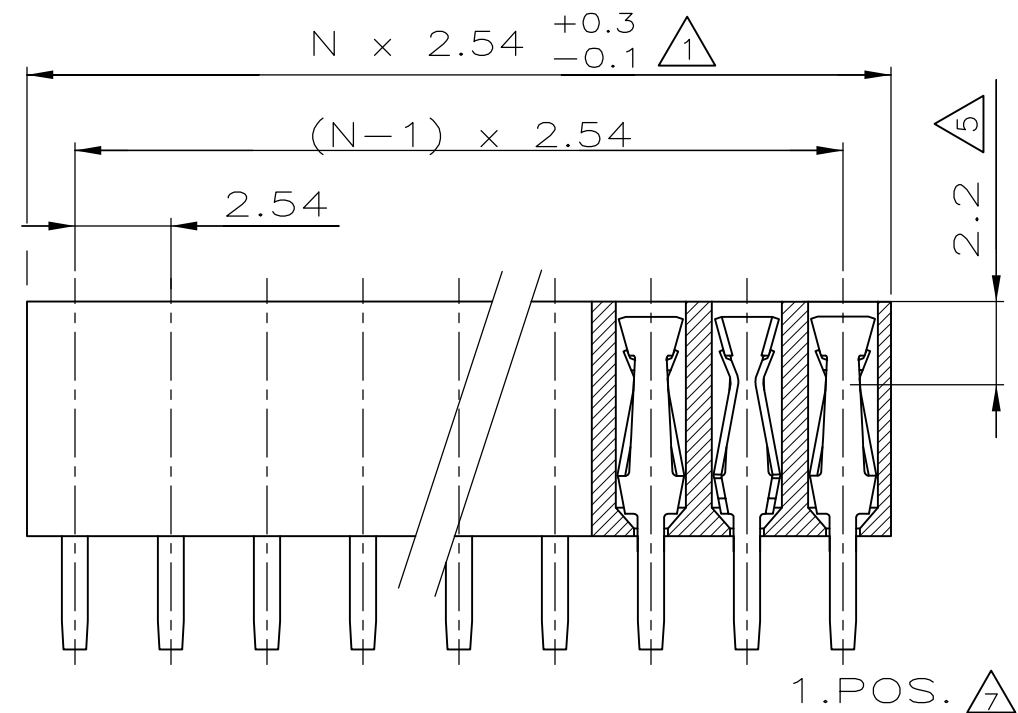


THIS DRAWING IS UNPUBLISHED. RELEASED FOR PUBLICATION

© COPYRIGHT - By - ALL RIGHTS RESERVED.

| LOC | DIST | REVISIONS | | | |
|-----|------|--------------------------------|-----------|-----|------|
| P | LTR | DESCRIPTION | DATE | DWN | APVD |
| | F | HOUSING RESIN MATERIAL CHANGED | 24DEC2013 | TJ | JK |

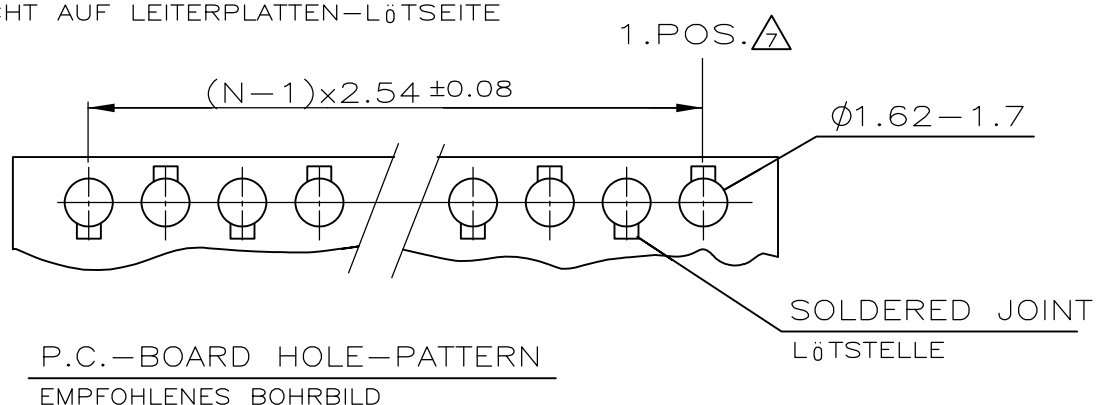


NOTES:

- 1. TO DETERMINE DIMENSIONS TAKE N = NO. OF POS.
FOR EXAMPLE: 10 POS.: N x 2,54 = 25,4 mm.
FOR ORDER NO. USE BASIC NO. + NO. OF POS.
FOR EXAMPLE: 3 POS.= 215 305-3 (SHORTEST VERSION)
36 POS.= 3-215 305-6 (LONGEST VERSION)
- 2. HOUSING MATERIAL: GREEN GLASSFILLED POLYESTER, UL 94V-0
CONTACT MATERIAL: PHOSPHOR BRONZE.
- 3. PLATING: UNDERCOATING: 1,3µm Ni.
AT CONT.PLACE: 0,8µm Au.
AT SOLDER-TYNES:3.0-5.0µm Sn.
- 4. MATES WITH 0,63 SQUARE/ROUND MODU POSTS.
- 5. CONTACT-POINT.
- 6. RECOMMENDED P.C.BOARD-THICKNESS: 1,6mm.
- 7. PAY ATTENTION THE POSITION OF FIRST CONTACT
LAGE DES ERSTEN KONTAKTS BEACHTEN
- 8. HV100 CONNECTOR PACKED IN ANTISTATIC BLISTER TRAY

| POLZ. | L | BESTELL-NR. |
|-------|-------|--------------|
| - | - | - |
| 2 | 5.08 | 215 305-2 |
| 3 | 7.62 | -3 |
| 4 | 10.16 | -4 |
| 5 | 12.70 | -5 |
| 6 | 15.24 | -6 |
| 7 | 17.78 | -7 |
| 8 | 20.32 | -8 |
| 9 | 22.86 | -9 |
| 10 | 25.40 | -0 |
| 11 | 27.94 | 1- |
| 12 | 30.48 | 1- |
| 13 | 33.02 | 4- |
| 14 | 35.56 | 4- |
| 15 | 38.10 | 4- |
| 16 | 40.64 | 1- |
| 17 | 43.18 | 1- |
| 18 | 45.72 | 4- |
| 19 | 48.26 | 1- |
| 20 | 50.80 | 2- |
| 21 | 53.34 | 2- |
| 22 | 55.88 | 2- |
| 23 | 58.42 | 2- |
| 24 | 60.96 | 2- |
| 25 | 63.50 | 2- |
| 26 | 66.04 | 2- |
| 27 | 68.58 | 2- |
| 28 | 71.12 | 2- |
| 29 | 73.66 | 2- |
| 30 | 76.20 | 3- |
| 31 | 78.74 | 3- |
| 32 | 81.28 | 3- |
| 33 | 83.82 | 3- |
| 34 | 86.36 | 3- |
| 35 | 88.90 | 3- |
| 36 | 91.44 | 3- 215 305-6 |

VIEW TO PCB-SOLDER SIDE
ANSICHT AUF LEITERPLATTEN-LÖTSEITE



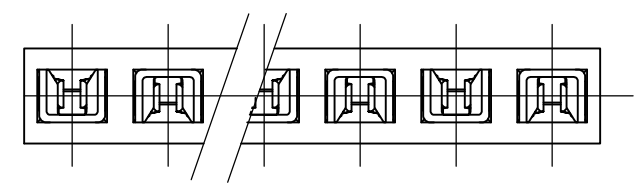
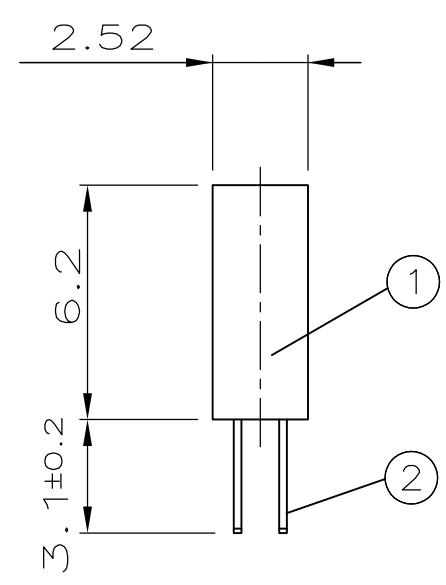
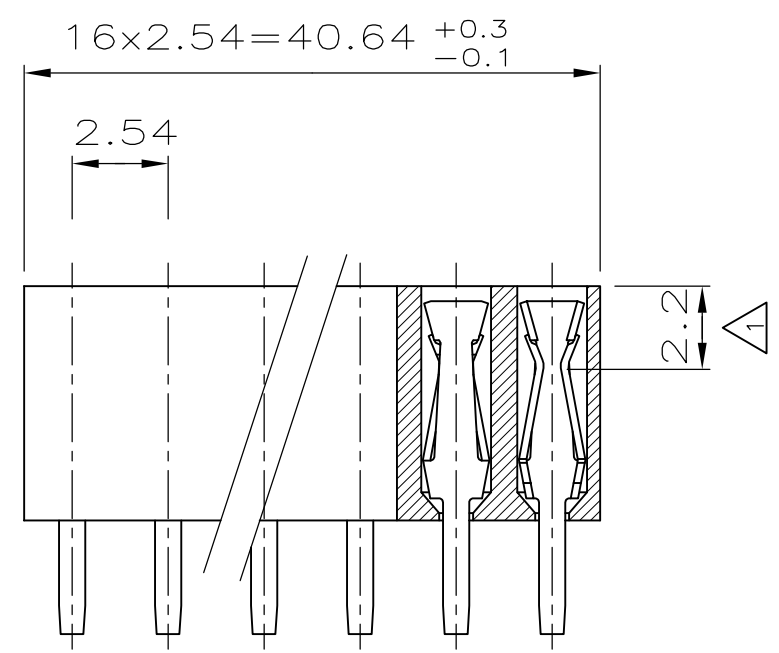
RELEASED FOR PUBLICATION 14.8.1986

VERWENDET FÜR
E 92-9803

| | | | | |
|---|--|---------------------------------|---|--------------------|
| THIS DRAWING IS A CONTROLLED DOCUMENT. | | DWN L.V.D.HEYDEN 20.05.86 | TE Connectivity | |
| DIMENSIONS: mm | | CHK - | | |
| TOLERANCES UNLESS OTHERWISE SPECIFIED: ±0.1mm | | APVD - | HV 100 VERTICAL CONNECTOR SINGLE ROW, 6,2mm HEIGHT, BOTTOM/TOP ENTRY, GOLD. | |
| 0 PLC ± - 1 PLC ± - 2 PLC ± - 3 PLC ± - 4 PLC ± - ANGLES ± - | | PRODUCT SPEC 108-19056 | SIZE A3 | CAGE CODE 00779 |
| MATERIAL SEE NOTES 2 | | APPLICATION SPEC - | DRAWING NO C-215305 | RESTRICTED TO - |
| FINISH SEE NOTES 3 | | WEIGHT - | SCALE 5:1 SHEET 1 OF 2 REV F | |
| CUSTOMER DRAWING | | | | |

THIS DRAWING IS UNPUBLISHED. RELEASED FOR PUBLICATION
 © COPYRIGHT - By - ALL RIGHTS RESERVED.

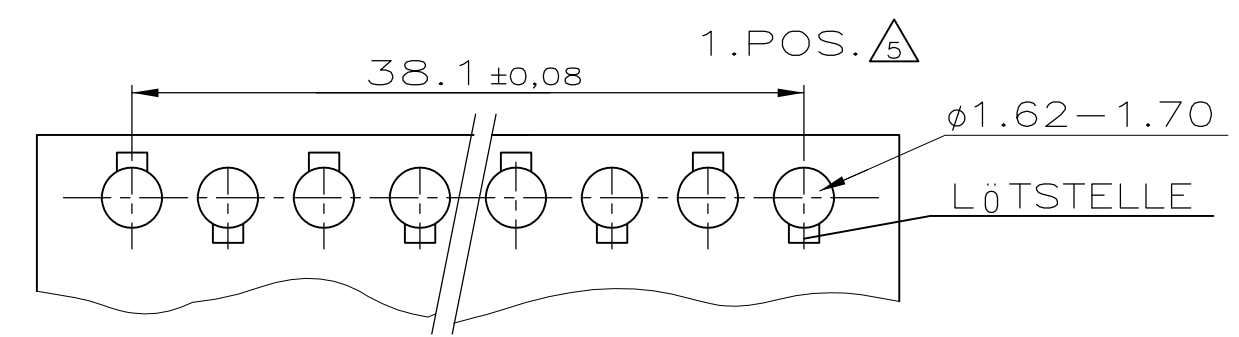
| LOC | DIST | REVISIONS | | | | | |
|-----|------|-----------|-----|-------------|------|-----|------|
| | | P | LTR | DESCRIPTION | DATE | DWN | APVD |
| - | - | - | - | SEE SHEET 1 | - | - | - |



NOTES:

- 1 KONTAKTPUNKT
- 2 KONTAKTBEREICH: 0.8µm GOLD ÜBER 1.3µm NICKEL
LÖTBEREICH: 3.0-5.0µm ZINN ÜBER 1.3µm NICKEL
- 3. EMPFOHLENE LEITERPLATTENDICKE 1.6mm
- 4. STECKBAR MIT MODU II STIFTEN ϕ/\square 0.63
- 5 LAGE DES ERSTEN KONTAKTS BEACHTEN
- 6. HV100 BUCHSENSTECKER VERPACKT IN ANTI-STATISCHEM BLISTER TRAY
- 7 OBSOLETE

ANSICHT AUF LEITERPLATTEN-LÖTSEITE



EMPFOHLENES BOHRBILD

6-215 305-6 WIE GEZEICHNET

NUR FÜR FA. DORNIER

ZEICHNUNG GÜLTIG AB KW 06/96

| PART NUMBER | ITEM | NO. | PART DESCRIPTION | MATERIAL | FINISH |
|-------------|------|-----|------------------|----------|--------|
| 6-215305-6 | 2 | 16 | HV 100 CONTACT | Cu Sn | GREEN |
| | 1 | 1 | HV 100 HOUSING | PBTP GV | |

| | | |
|--|--|------------------------------------|
| THIS DRAWING IS A CONTROLLED DOCUMENT. | | DWN A.HO 01.08.91 |
| DIMENSIONS: mm | | CHK M.SCHAARSCHMIDT 01.08.91 |
| TOLERANCES UNLESS OTHERWISE SPECIFIED: ±0.1mm | | APVD - |
| 0 PLC ± - | | PRODUCT SPEC 108-19056 |
| 1 PLC ± - | | APPLICATION SPEC - |
| 2 PLC ± - | | WEIGHT - |
| 3 PLC ± - | | CUSTOMER DRAWING |
| 4 PLC ± - | | SCALE 5:1 |
| ANGLES ± - | | SHEET 2 OF 2 |
| FINISH SEE NOTE 2 | | REV F |

| | | | |
|------------------------------------|--|--|------------------------|
| DWN A.HO 01.08.91 | | TE Connectivity | |
| CHK M.SCHAARSCHMIDT 01.08.91 | | NAME HV 100 VERTICAL CONNECTOR, SINGLE ROW, 6.2mm HEIGHT, BOTTOM/TOP ENTRY, GOLD, 16 POS. | |
| APVD - | | SIZE A3 | RESTRICTED TO - |
| PRODUCT SPEC 108-19056 | | CAGE CODE 00779 | DRAWING NO C-215305 |
| APPLICATION SPEC - | | SCALE 5:1 | |
| WEIGHT - | | SHEET 2 OF 2 | |
| CUSTOMER DRAWING | | REV F | |