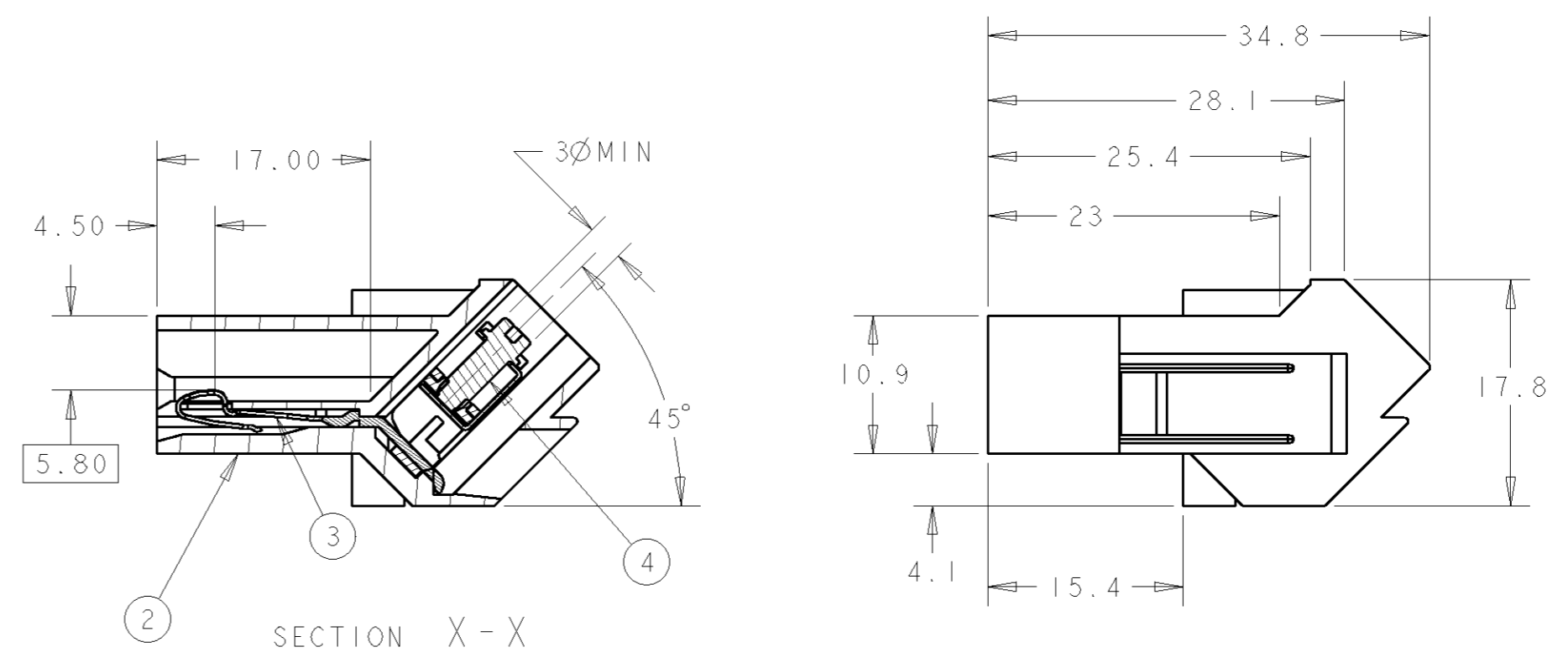
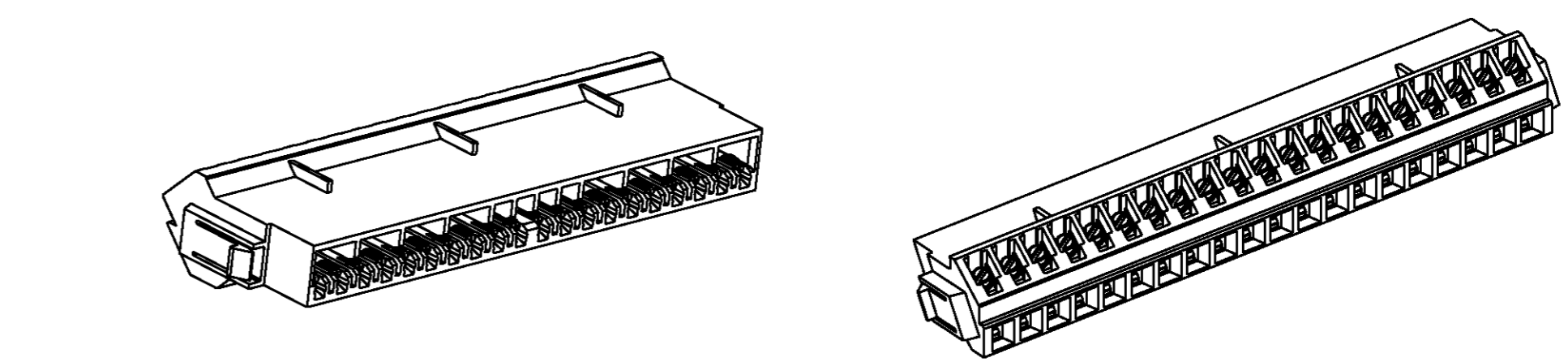
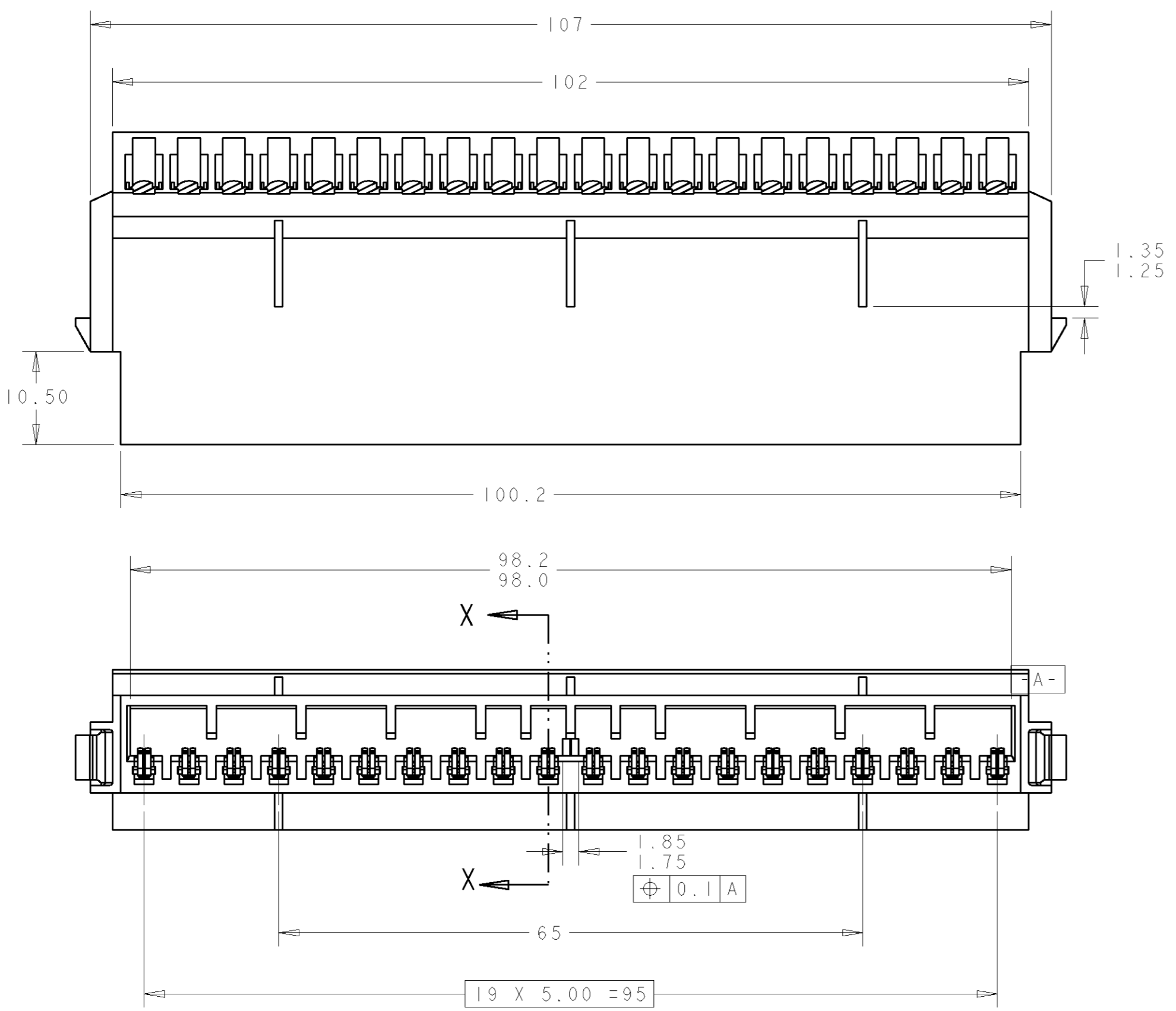


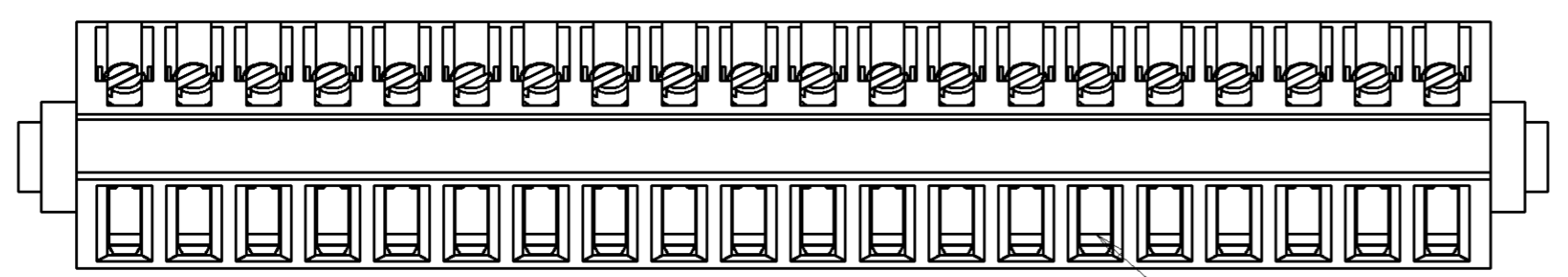
THIS DRAWING IS UNPUBLISHED. RELEASED FOR PUBLICATION 20
 © COPYRIGHT 20 BY TYCO ELECTRONICS CORPORATION. ALL RIGHTS RESERVED.

LOC	DIST	REVISIONS					
E	B	P	LTR	DESCRIPTION	DATE	DWN	APVD
		D		ECR-07-015370	26/06/07	MJG	J.A



NOTES:

- 1. MATES WITH 1.6mm PCB
- MATERIALS:
- 2. HOUSING: GF FILLED POLYCARBONATE UL94-V0. COLOUR: BLACK
- 3. CONTACT MATERIAL: PHOSPHUR BRONZE, PLATING: GOLD OVER NICKEL
- 4. SCREW CLAMP. MATERIAL: MILD STEEL. PLATING: ZINC & TRIVALENT PASSIVATED



VIEW ON WIRE ENTRY APPERTURES

TEST PROBE TARGET
2.50 X 2.00mm

SEE NOTES	SEE NOTES	20 POS I/O CONNECTOR	2-347529-1
SEE NOTES	SEE NOTES	20 POS I/O CONNECTOR	1-347529-1
FINISH	MATERIAL	DESCRIPTION	PART NO
<small>THIS DRAWING IS A CONTROLLED DOCUMENT FOR TYCO ELECTRONICS CORPORATION. IT IS SUBJECT TO CHANGE AND THE CONTROLLING ENGINEERING ORGANIZATION SHOULD BE CONTACTED FOR THE LATEST REVISION.</small>		tyco Tyco Electronics Electronics Bideford, Devon. EX39 4HA	
DIMENSIONS: mm TOLERANCES UNLESS OTHERWISE SPECIFIED: 0 PLC ±0.5 1 PLC ±0.5 2 PLC ±0.5 3 PLC ± 4 PLC ± ANGLES ±1 FINISH		NAME: 20 POS W2B I/O CONNECTOR SIZE: 108-3369 APPLICATION SPEC: 114-3149 WEIGHT: - CUSTOMER DRAWING	
SEE NOTES		SCALE: 2:1	SHEET 1 OF 1 REV D