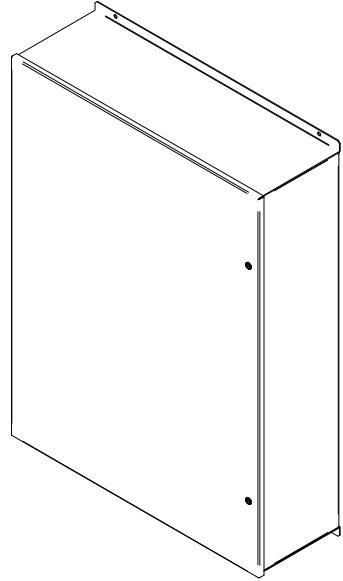




PART No. 1420T12

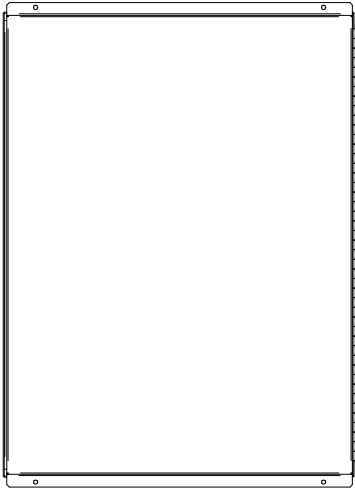
for more information visit  
[www.hamfmg.com](http://www.hamfmg.com)  
Data subject to change without notice  
Isometric drawing Not to Scale



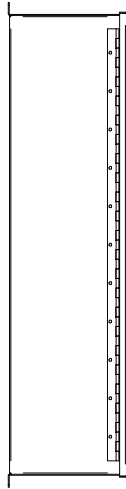
ISOMETRIC VIEW



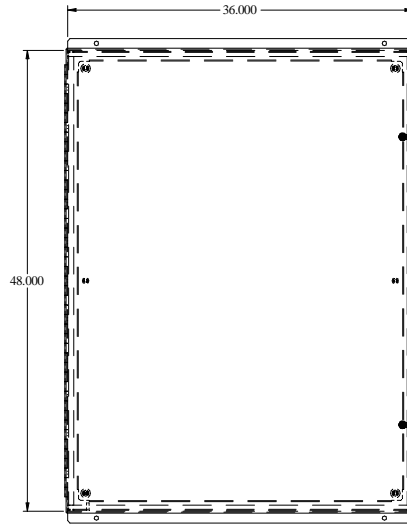
TOP VIEW



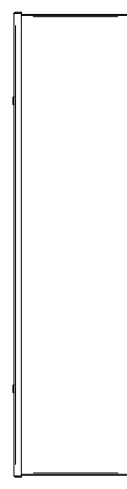
BACK VIEW



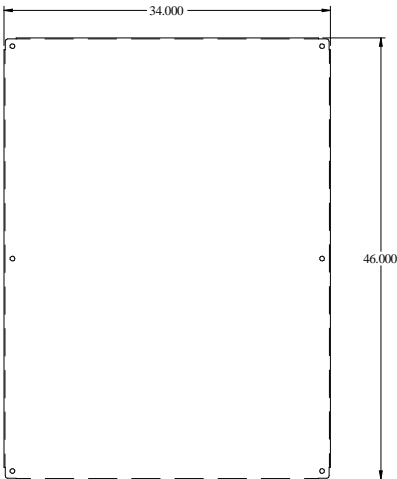
SIDE VIEW



FRONT VIEW



SIDE VIEW



INNER PANEL



BOTTOM VIEW