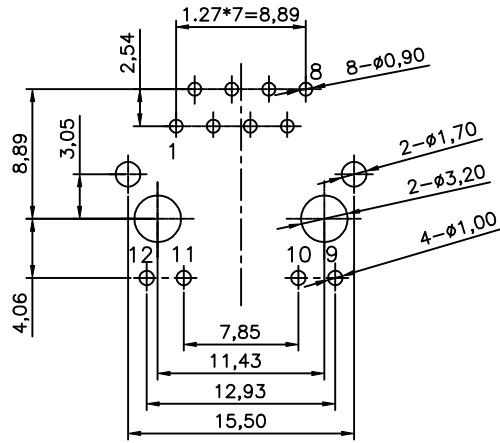
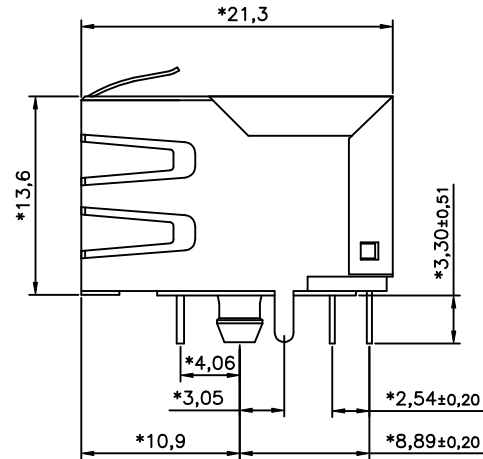
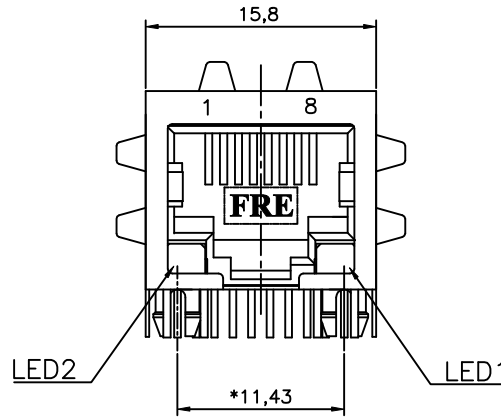


REVISION RECORD				
REV	ECO	DESCRIPTION	DRFT	CHKD
△		P/N MODIFY	Jake 10/18/05	



PC Board Layout Component Side Shown  
PC Board =1.60 mm t



**NOTES:**

**ELECTRICAL:**

1. VOLTAGE RATING : 125 VAC RMS .
2. CURRENT RATING : 1.5 AMP .
3. CONTACT RESISTANCE : 45 MILLIOHMS MAX.
4. INSULATION RESISTANCE: 1000 MEGOHMS MIN @ 500 VDC.
5. DIELECTRIC STRENGTH : 1000 VAC RMS 60Hz, 1MIN.
6. WAVELENGTH: GREEN: 565±5 nm, ORANGE: 613±5 nm

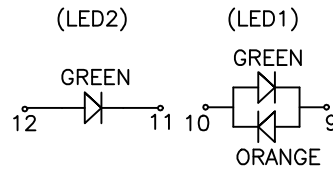
**MECHANICAL:**

1. HOUSING MATERIAL : FR52 UL94V-0.
2. CONTACT MATERIAL : PHOSPHOR BRONZE t=0.35mm.
3. PLATING : GOLD PLATING OVER NICKEL.
4. OPERATING LIFE : 750 CYCLES MIN.
5. PCB RETENTION PRE-SOLDER : 1 LB MIN.
6. PCB RETENTION POST-SOLDER: 10 LBS MIN.

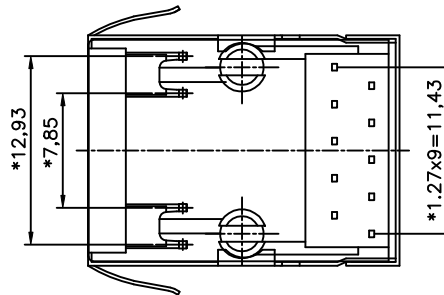
**ENVIRONMENTAL:**

1. STORAGE : -40°C TO +85°C.
2. OPERATION: -40°C TO +85°C.
3. SOLDERING TEMPERATURE: 255~265°C 5~10 SECONDS

MATES WITH MODULAR PLUG CONFORMING TO  
FCC PART 68, SUBPART F.  
UL FILE NO. E163191



LED COLOR DISPLAY



RoHS COMPLIANT

△ RoHS PART NUMBER: E5J88-19LJP3-L (intel P/N: C29524-002)

<p>← MM (INCH) →</p> <p>TOLERANCES EXCEPT AS NOTED</p> <table border="1"> <tr> <td>MM</td> <td>±</td> </tr> <tr> <td>.0 ±0.20</td> <td>±</td> </tr> <tr> <td>.00 ±0.15</td> <td>±</td> </tr> <tr> <td>.000 ±0.075</td> <td>±</td> </tr> </table>		MM	±	.0 ±0.20	±	.00 ±0.15	±	.000 ±0.075	±	<p>DFTO Jake DATE 10/12/05*</p> <p>CHKDANKUE DATE2005/10/20</p> <p>MFO DATE</p> <p>APPVLU SHENG DATE2005/10/20</p> <p>MATERIAL :</p>	<p><b>FULL RISE ELECTRONIC CO., LTD</b></p>	
MM	±											
.0 ±0.20	±											
.00 ±0.15	±											
.000 ±0.075	±											
<p>ANGLES ± 0.5</p> <p>THIRD ANGLE PROJECTION</p>		<p>QTY :</p> <p>FINISH :</p> <p>SCALE : 2.5 : 1</p>	<p>TITLE</p> <p><b>SIDE ENTRY LED JACK</b></p>									
<p>DETAILED LISTS</p>		<p>DO NOT SCALE DRAWING</p>	<p>DRAWING NO. GE5J3342-LA</p> <p>/PART NO. SEE NOTE</p>	<p>SIZE A3</p> <p>REV 1</p> <p>10/18/05*</p>								
<p>SHEET 1 OF 1</p>			<p>DO NOT SCALE DRAWING</p>									