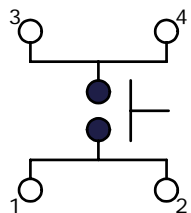
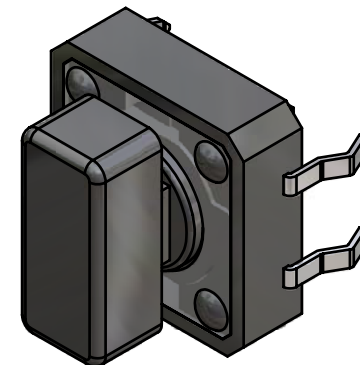
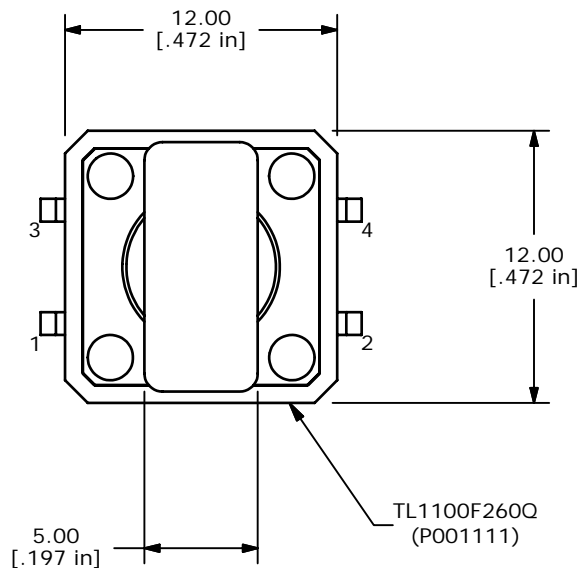


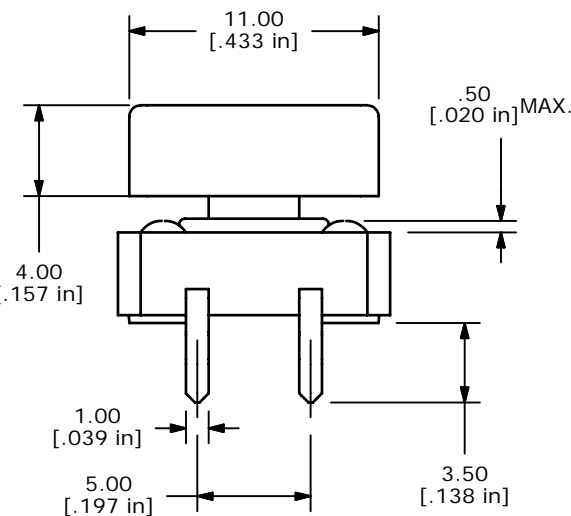
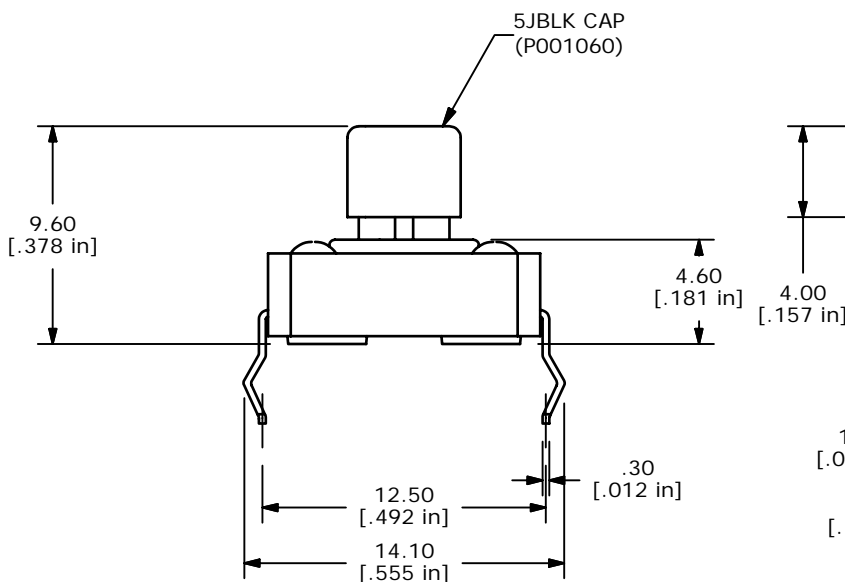
P.C.B. LAYOUT



CIRCUIT: SPST



ISOMETRIC



- NOTES:
1. ALL DIMENSIONS IN MM [INCH]
 2. GENERAL TOLERANCE: X.X=±0.4
X.XX=±0.25
 3. TERMINAL NUMBERS FOR REF. ONLY.
 4. RATING: 50mA @ 12VDC
 5. TRAVEL: 0.30±0.15mm
 6. OPERATING FORCE: 260±50gf
 7. CONTACT RESISTANCE: 100 mILLI-OHMS MAX.
 8. ELECTRICAL LIFE: 100,000 CYCLES MIN.

E-SWITCH®

A	15591	NEW RELEASE	12/12/05	PH
REV	PCR NO	DESCRIPTION	DATE	BY

TITLE TL1100F260Q5JBLK				
SCALE	DATE	DR	DWG	REV
3:1	12/8/2005	PH	XP0282A	A

THE INFORMATION CONTAINED IN THIS DOCUMENT IS PROPRIETARY TO E-SWITCH AND IS NOT TO BE COPIED OR TRANSFERRED