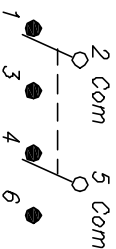


RECOMMENDED P.C.B. LAYOUT

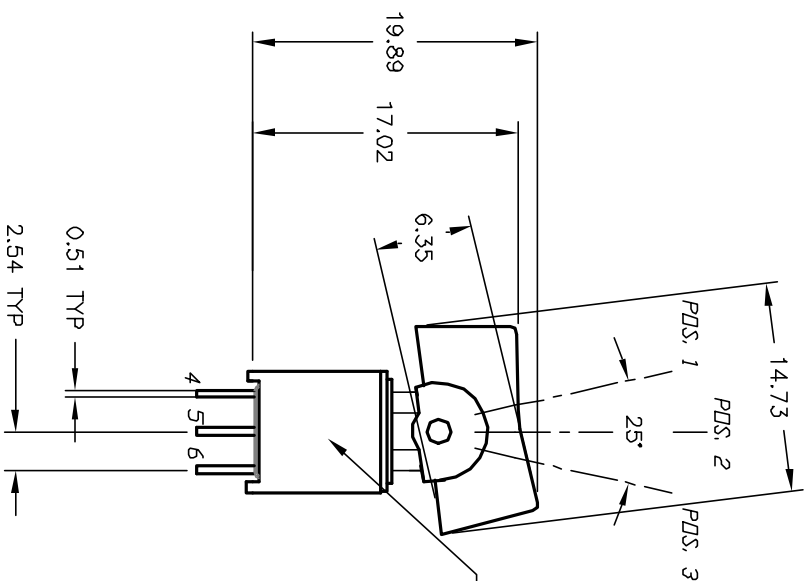


CIRCUIT: DPDT CONTACT CONFIGURATION

SWITCH FUNCTION		
PDS, 1	PDS, 2	PDS, 3
DN	OFF	DN
2-3,5-6	OPEN	2-1,5-4

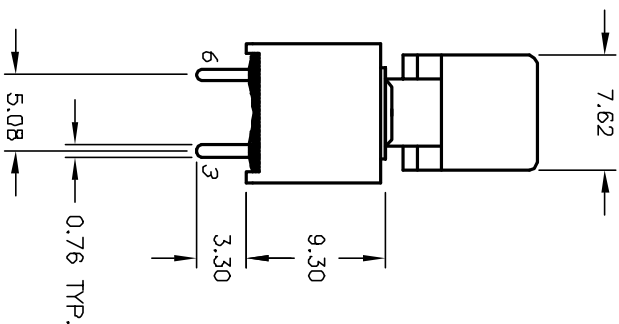
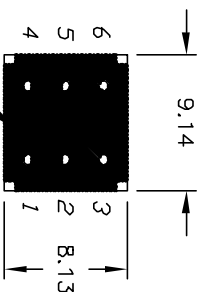
NOTES:

1. ALL DIMENSIONS IN MM
2. GENERAL TOLERANCE: X.X=±0.4  
X.XX=±0.25
3. TERM. NOS. FOR REF. ONLY
4. RATING: 3A @120VAC or 28VDC.  
1.5A @250VAC.
5. FIXED TERM/MOVING CONTACT  
COPPER ALLOY W/SILVER PLATING
6. ELECTRICAL LIFE: 30,000 MAKE-AND-BREAK CYCLES  
AT FULL LOAD.
7. INSULATION RESISTANCE: 1000M OHM TYPICAL
8. DIELECTRIC STRENGTH: 1,000 V RMS @SEA LEVEL
9. OPERATING TEMP: -30°C to +85°C



EPOXY SEAL BASE

BOTTOM VIEW



REV.	ECN NO.	DESCRIPTION	DATE	CHKD
A	12965	RELEASED FOR PRODUCTION	3/26/03	AR

TITLE	SCALE	DATE	DR	DWG	REV
400AWMDP3R1M2QE	2:1	3/26/03	AR	T403000	A

**E-SWITCH®**

THE INFORMATION CONTAINED IN THIS DOCUMENT IS PROPRIETARY TO E-SWITCH AND IS NOT TO BE COPIED OR TRANSMITTED