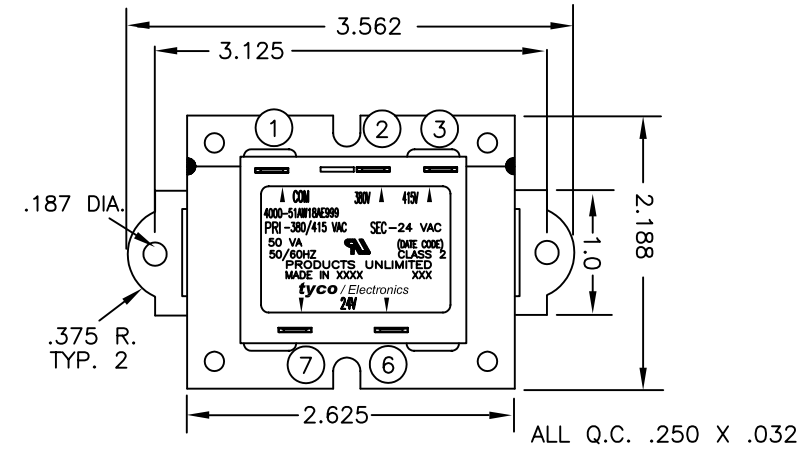


THIS DRAWING IS UNPUBLISHED. RELEASED FOR PUBLICATION
 © COPYRIGHT - BY TYCO ELECTRONICS CORPORATION. ALL RIGHTS RESERVED.

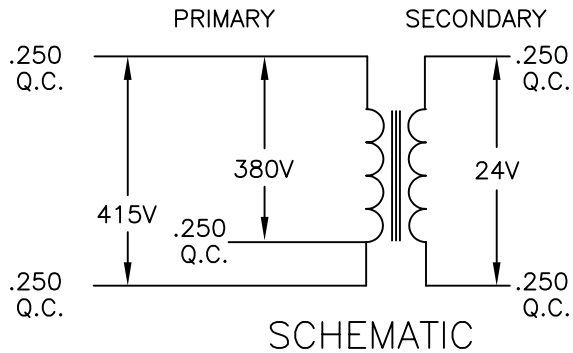
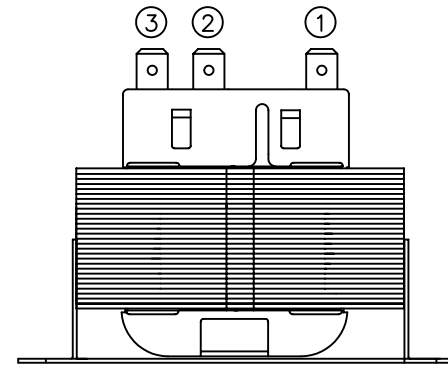
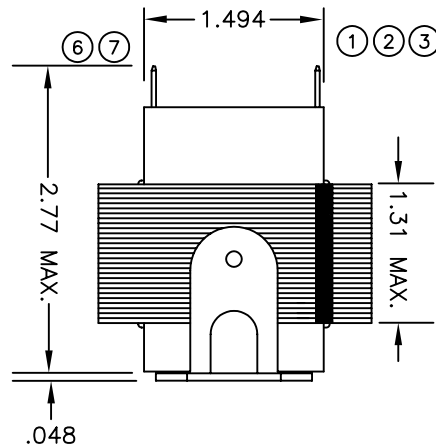
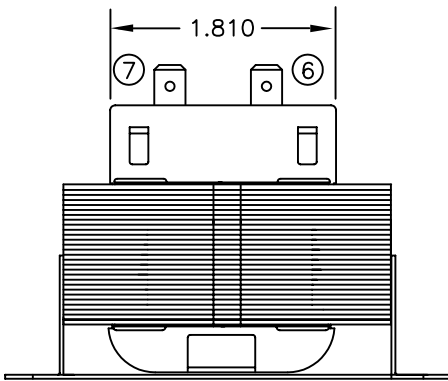
LOC	DIST	REVISIONS					
GZ	00	P	LTR	DESCRIPTION	DATE	DWN	APVD
		0		0720-0096-04	12FEB04	KH	HT



PRIMARY						SECONDARY				
TERM NO.	1	2	3	4	5	TERM NO.	6	7	8	9
VOLTAGE	COM	380	415			VOLTAGE	24	VAC		
TERMINAL WIDTH	.250	.250	.250			TERMINAL WIDTH	.250	.250		
TERMINAL THICKNESS	.032	.032	.032			TERMINAL THICKNESS	.032	.032		

NOTES:
 1. DIMENSIONS FOR REFERENCE ONLY.
 2. WINDING PROTECTION-INHERENTLY LIMITING

CERTIFICATION: (UL ONLY)
 UL FILE NO E87824



TYCO PART NUMBER
 8-1611470-6

THIS DRAWING IS A CONTROLLED DOCUMENT.		DWN K.H.	12FEB04	Tyco Electronics Corporation Harrisburg, PA 17105-3608	
DIMENSIONS: INCHES		CHK -	APVD DH	NAME TRANSFORMER OUTLINE P.U. STOCK	
TOLERANCES UNLESS OTHERWISE SPECIFIED: 0 PLC ±- 1 PLC ±- 2 PLC ±- 3 PLC ±- 4 PLC ±- ANGLES ±-		PRODUCT SPEC -	APPLICATION SPEC -	SIZE A3	RESTRICTED TO
MATERIAL -	FINISH -	WEIGHT -	CAGE CODE 00779	DRAWING NO C=4000-51AW18AE999	
CUSTOMER DRAWING			SCALE NTS	SHEET 1 OF 1	REV 0