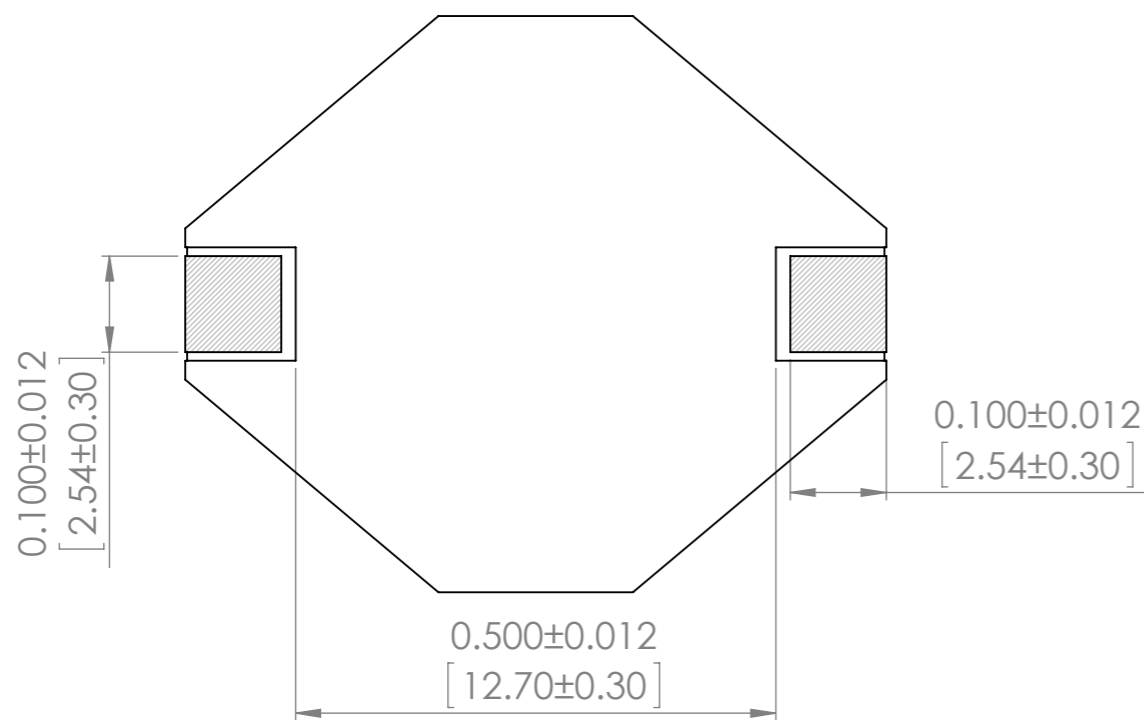
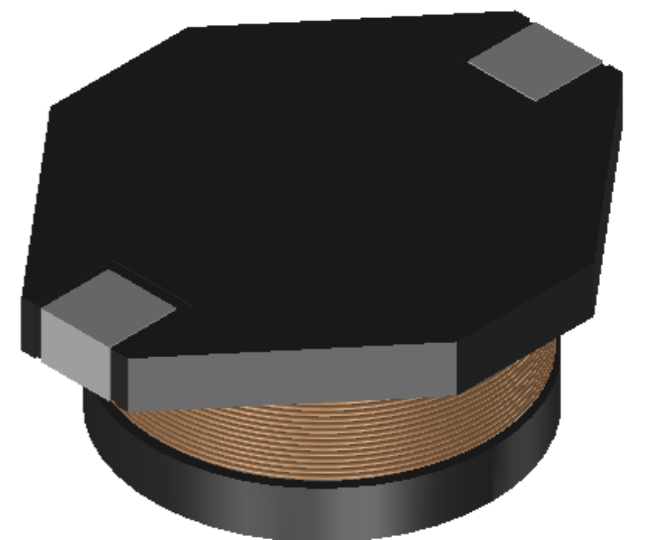
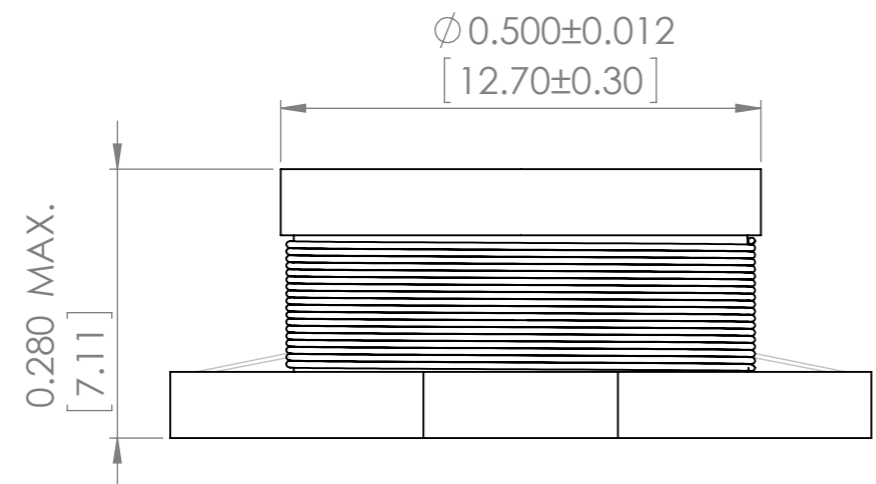
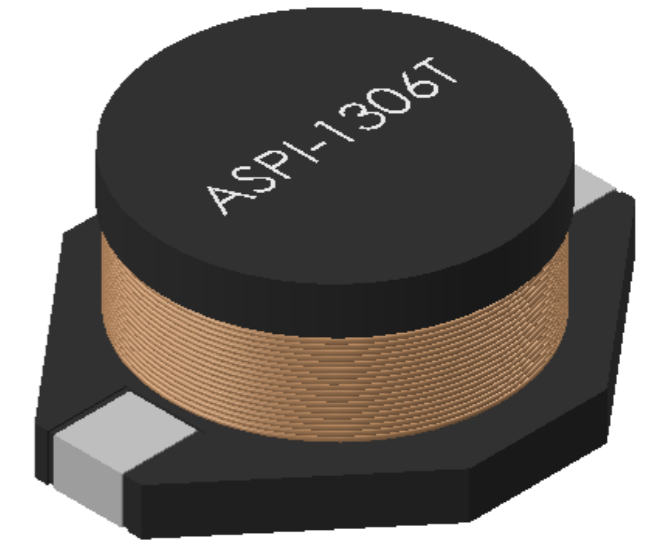
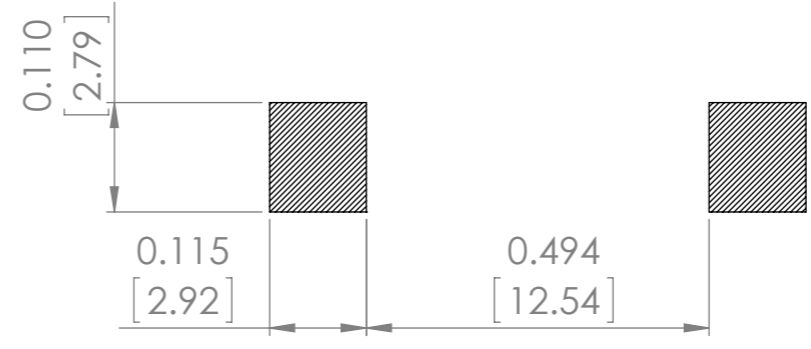



Recommended Land Pattern



TOP PACKAGE MARKING IS FOR ILLUSTRATION PURPOSES ONLY

UNLESS OTHERWISE SPECIFIED: DIMENSIONS ARE IN INCH(MM) SURFACE FINISH: TOLERANCES: LINEAR: ANGULAR:				FINISH:		DEBUR AND BREAK SHARP EDGES		DO NOT SCALE DRAWING		REVISION -	
DRAWN		NAME		SIGNATURE		DATE		 <p>ABRACON CORPORATION 30332 Esperanza, Rancho Santa margarita, California 92688</p>			
CHK'D		SAAZVAT									
APPV'D		XXXXXX									
MFG											
Q.A											
TITLE: Unshielded								DWG NO. ASPI-1306T		A3	
SCALE:5:1								SHEET 1 OF 1			