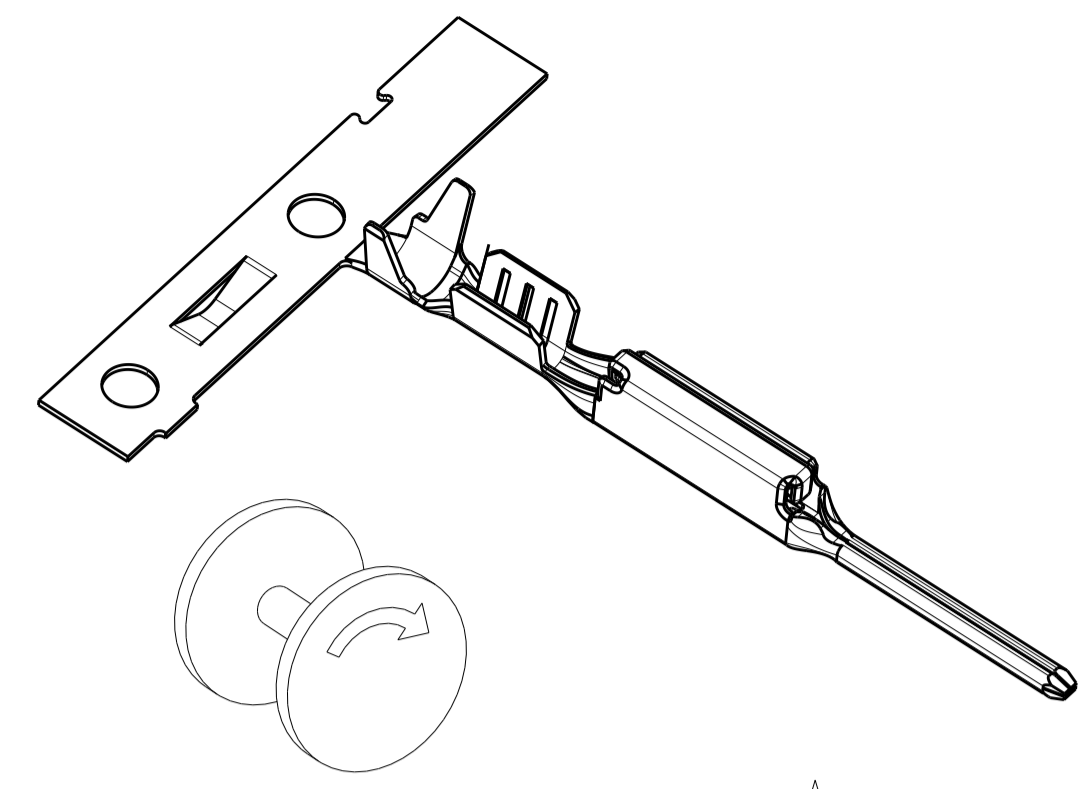
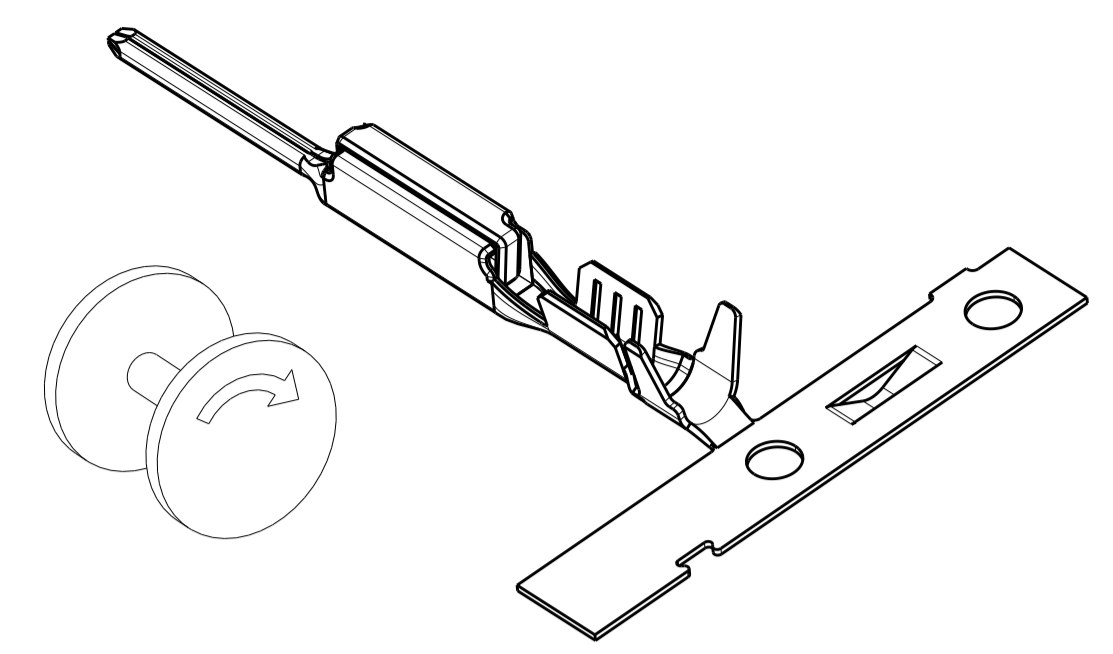


REVISIONS				
P.	LTM	DESCRIPTION	DATE	APVD
A5		REVISED PER ECO-13-010026	21JUN2013	DLD CJS
A6		REVISED PER ECO-14-015042	03OCT2014	DLD CJS
A7		REVISED PER ECO-15-004219	08APR2015	DLD CJS

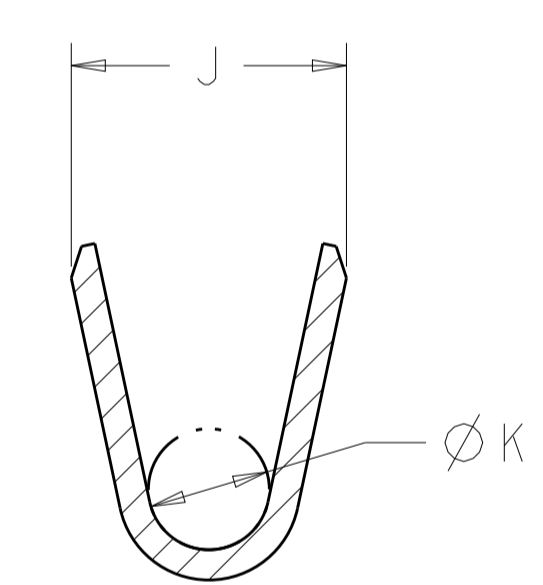
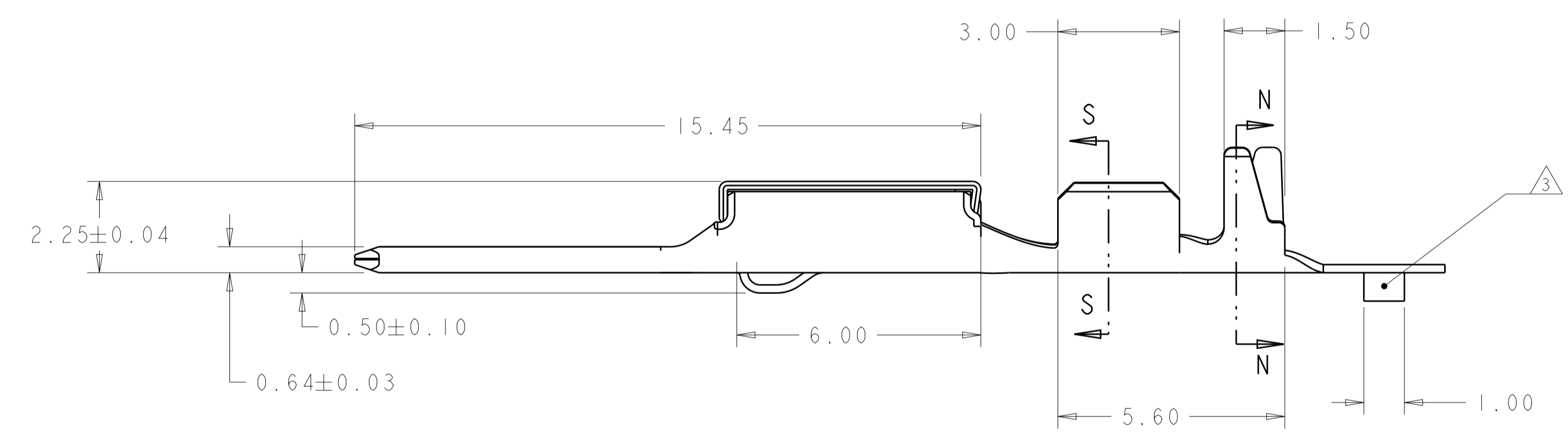
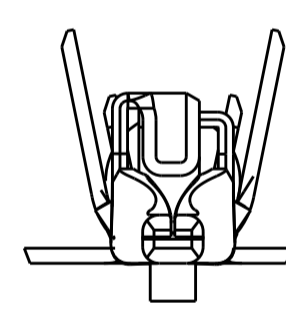
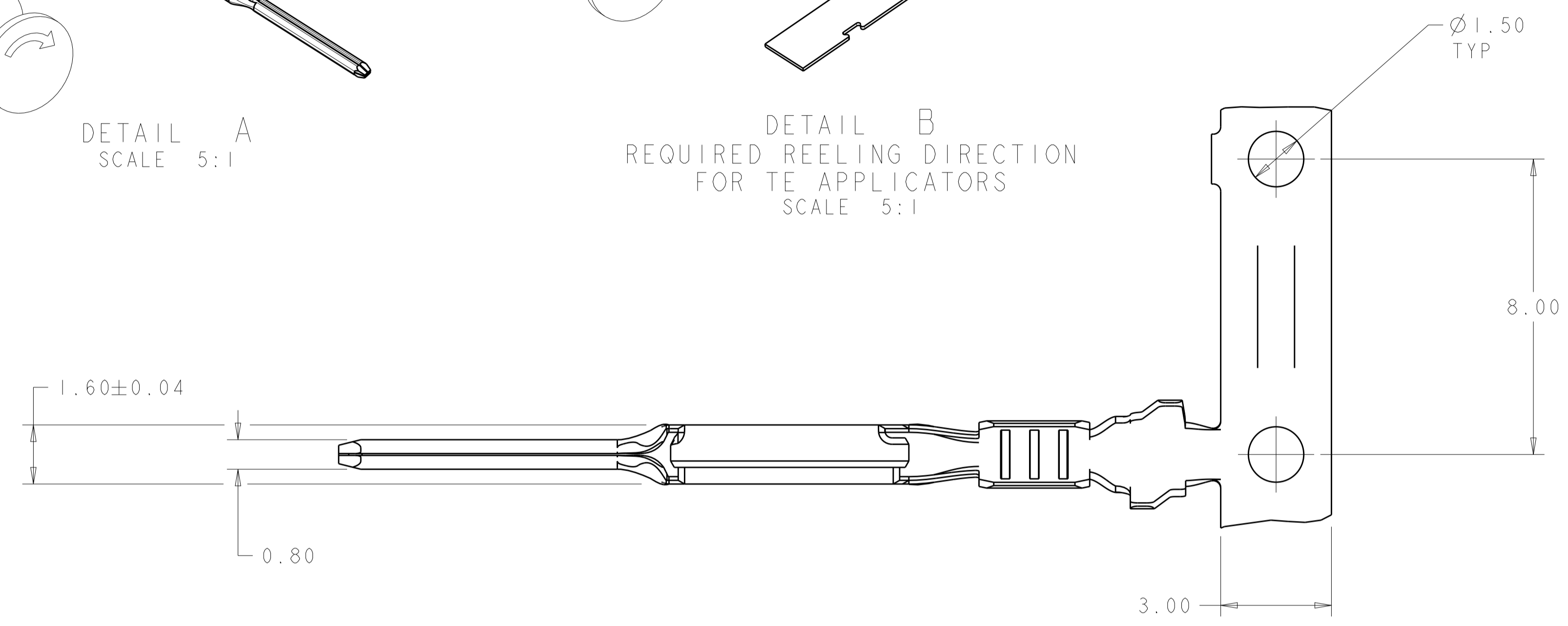
- △ MATERIAL: BRASS
- △ FINISH: PRE-PLATED WITH 0.80µm MIN TIN
- △ MATERIAL ID FEATURE IN "DOWN" POSITION.
- 4. THE INTENDED TEMPERATURE RANGE FOR THIS TERMINAL IS -40° C TO 100° C.
- △ NOT FOR SEALED APPLICATIONS.



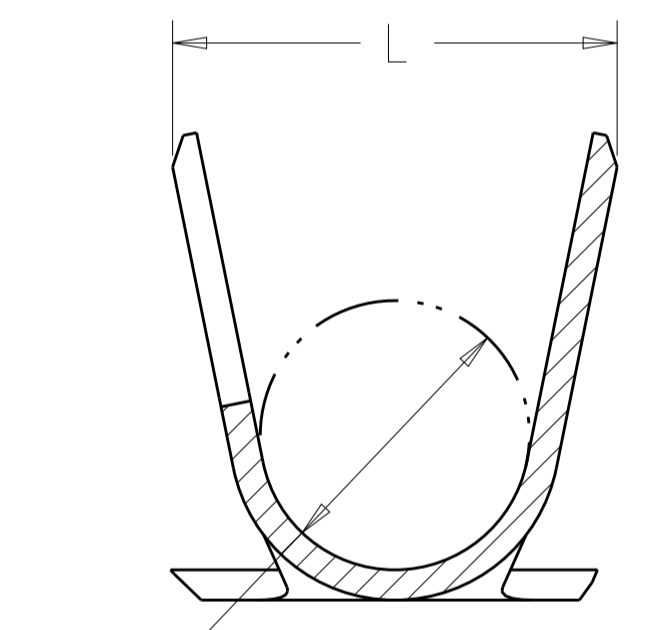
DETAIL A
SCALE 5:1



DETAIL B
REQUIRED REELING DIRECTION
FOR TE APPLICATORS
SCALE 5:1



SECTION S-S
SCALE 20:1



SECTION N-N
SCALE 20:1

0.13mm ² = 0.85-1.05	DETAIL B	1.40	2.40	0.80	1.85	△	2X 0.13mm ²	1924968-8 △
0.35mm ² = 1.10-1.40							0.35mm ²	
0.85-1.05	DETAIL B	0.85	1.82	0.65	1.50	△	26 [0.13mm ²]	1924968-7 △
0.13mm ² = 0.85-1.05	DETAIL A	1.40	2.40	0.80	1.85	△	2X 0.13mm ²	1924968-6 △
0.35mm ² = 1.10-1.40							0.35mm ²	
0.85-1.05	DETAIL A	0.85	1.82	0.65	1.50	△	26 [0.13mm ²]	1924968-5 △
2.06 MAX	DETAIL B	1.78	2.94	1.00	1.96	△	18 [0.75mm ²]	1924968-4
1.50-1.85	DETAIL B	1.78	2.94	0.80	1.82	△	20-22 [0.5-0.35mm ²]	1924968-3
2.06 MAX	DETAIL A	1.78	2.94	1.00	1.96	△	18 [0.75mm ²]	1924968-2
1.50-1.85	DETAIL A	1.78	2.94	0.80	1.82	△	20-22 [0.5-0.35mm ²]	1924968-1
INSULATION DIAMETER	REELING	M	L	K	J	FINISH	WIRE SIZE	PART NUMBER

THIS DRAWING IS A CONTROLLED DOCUMENT.

DIMENSIONS:	TOLERANCES UNLESS OTHERWISE SPECIFIED:	DWN: MOLL 02OCT2008	CHK: J. HALL 02OCT2008	APVD: J. HALL 02OCT2008
mm	0 PLC ±0.3 1 PLC ±0.3 2 PLC ±0.15 3 PLC ± 4 PLC ± ANGLES ±1°	PRODUCT SPEC: 108-2296-1	APPLICATION SPEC: 114-13183	WEIGHT: -
MATERIAL: △	FINISH: -	SIZE: A1	CAGE CODE: 00779	DRAWING NO: 1924968
CUSTOMER DRAWING		SCALE: 10:1	SHEET: 1	REV: A7

STE TE Connectivity
CONTACT, MALE, 0.64mm, GENERATION Y