

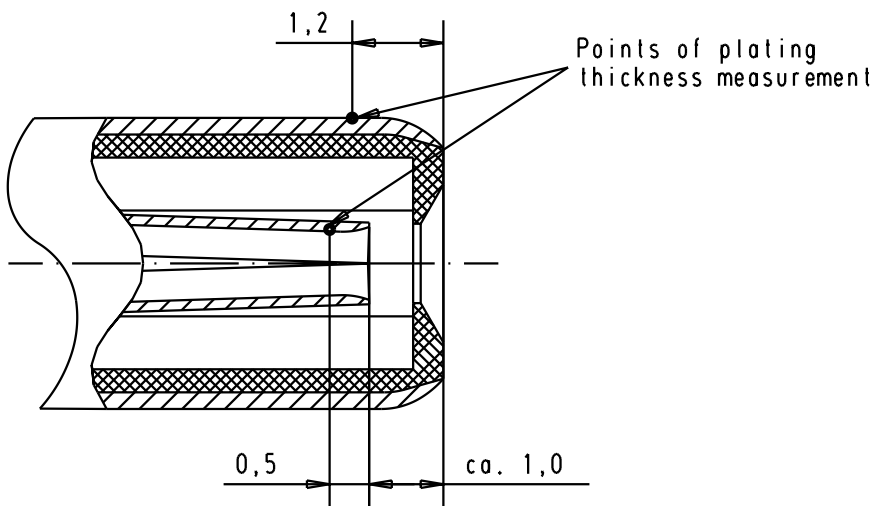
5

4

3

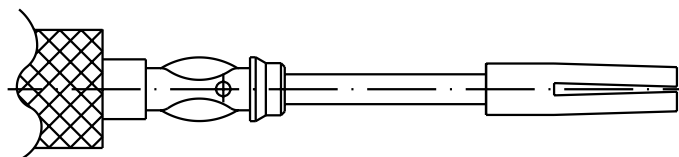
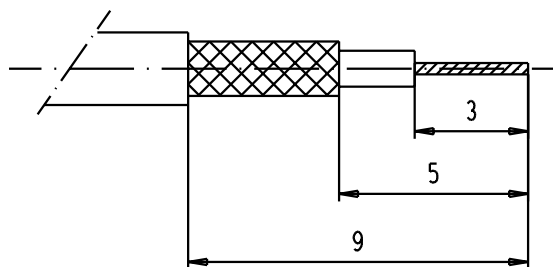
2

1



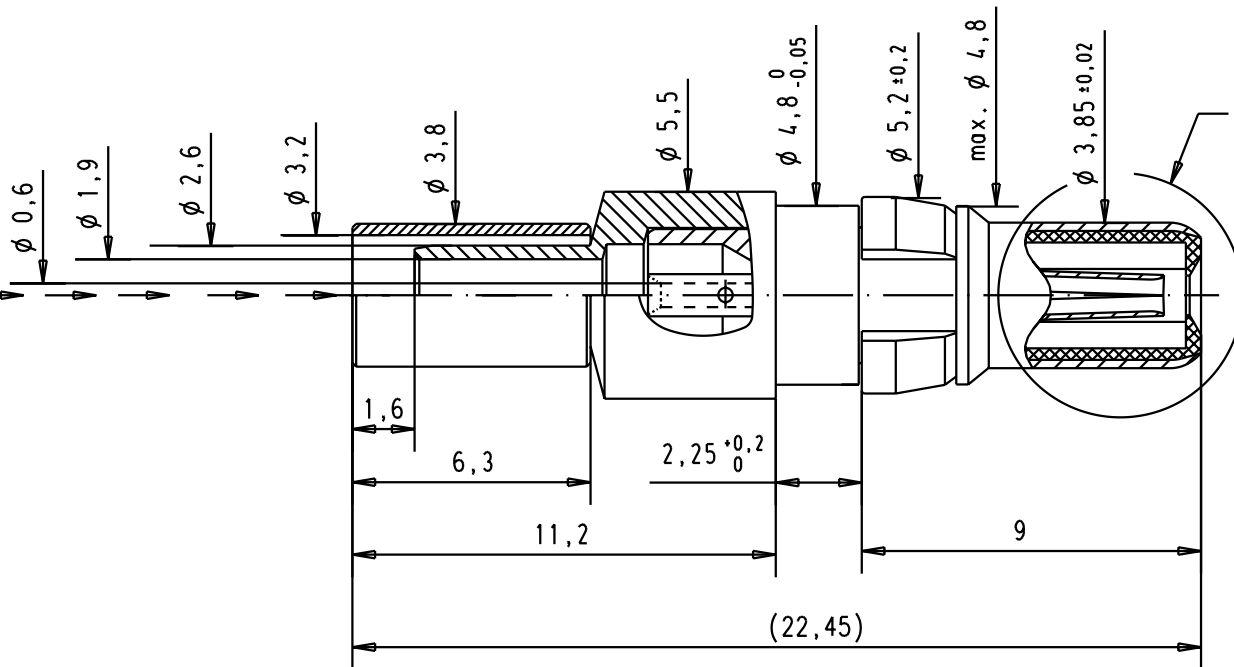
X (Scale 10:1)

harnessing dimensions



crimping tool of outer conductor:  
hand tool: 09 99 000 0503 00  
die 09 99 000 0508 00 cavity B  
with cables: RG174U, RG188AU, RG316U

crimping tool of inner conductor:  
hand tool: 09 99 000 0501 00  
die: 09 99 000 0507 00  
with cables: AWG24, AWG26, AWG28, AWG30



B

D

C

							Dat. Name 21-JUN-02 CV		All Dim. in mm Orig. Size DIN A 4	Male coaxial contact, 50 Ohms straight cable termination, inner and outer conductor for crimp termination	Maßstab/ Scale 5:1
09692827140	Mating area	0,2 µm Au	0,2 µm Au				Insp.				
	Termination area	5 µm Sn	0,2 µm Au				Stand.				
09692825140	Mating area	0,8 µm Au	1,3 µm Au				HARTING EURL F-95972 Paris		TB 09 69 282 x140		Blatt/ Page 1 / 1
	Termination area	0,2 µm Au	1,3 µm Au	31057	21-JUN-02	CV					
Part number	Plating	outer conductor	inner conductor	Mod.	Dat.	Name	Sub.				