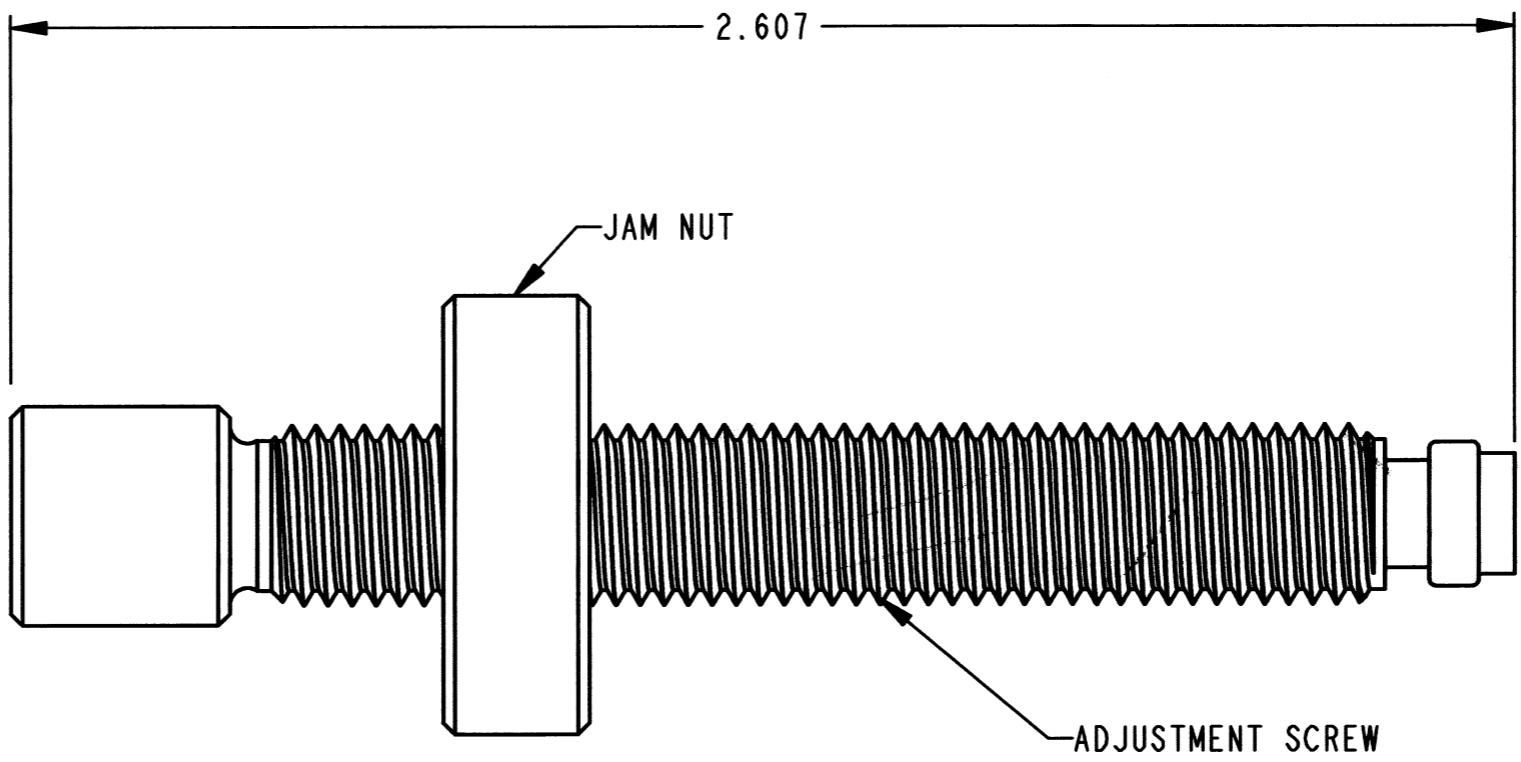
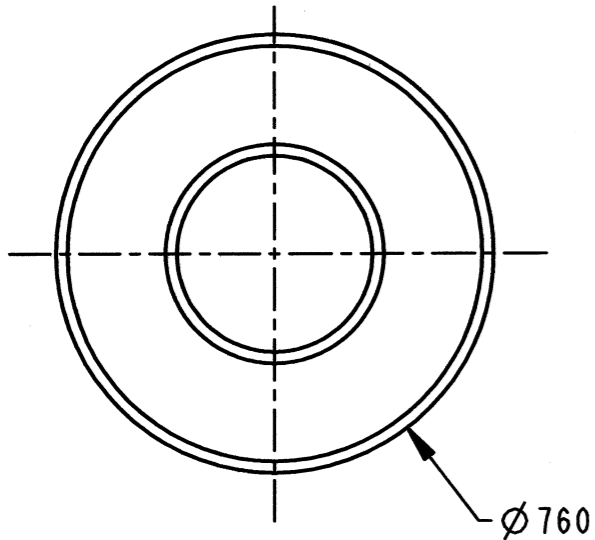


REV
NC 0426-209-0000

REVISIONS			
SYM	DESCRIPTION	DATE	APPROVED
NC	NEW RELEASE PER E.O. P20689	3-10-11	ADR




- 4. DIMENSIONS ARE IN INCHES [MILLIMETERS]
- 3. MATERIAL: ALUMINUM
- 2. ALL DIMENSIONS HAVE A TOLERANCE OF ±.025 [.64].
- 1. THIS PART IS USED ON HDT-48-00.

NOTES: UNLESS OTHERWISE SPECIFIED.

SIGNATURE & DATE	
DR	R. MCCORD 11/02/10
CHK	<i>B. Byford</i> 3/09/2011
PE	<i>B. Byford</i> 3/09/2011
APPD	<i>S. Beard</i> 2/29/11
SCALE	NONE
WT	

ADJUSTMENT SCREW ASSEMBLY
HDT-48-00
CRIMP TOOL

ENVELOPE

EP	MATL. CODE
 3850 INDUSTRIAL AVE. HEMET, CA 92545	
B	0426-209-0000
DWG SIZE	CODE 11139 SHEET OF