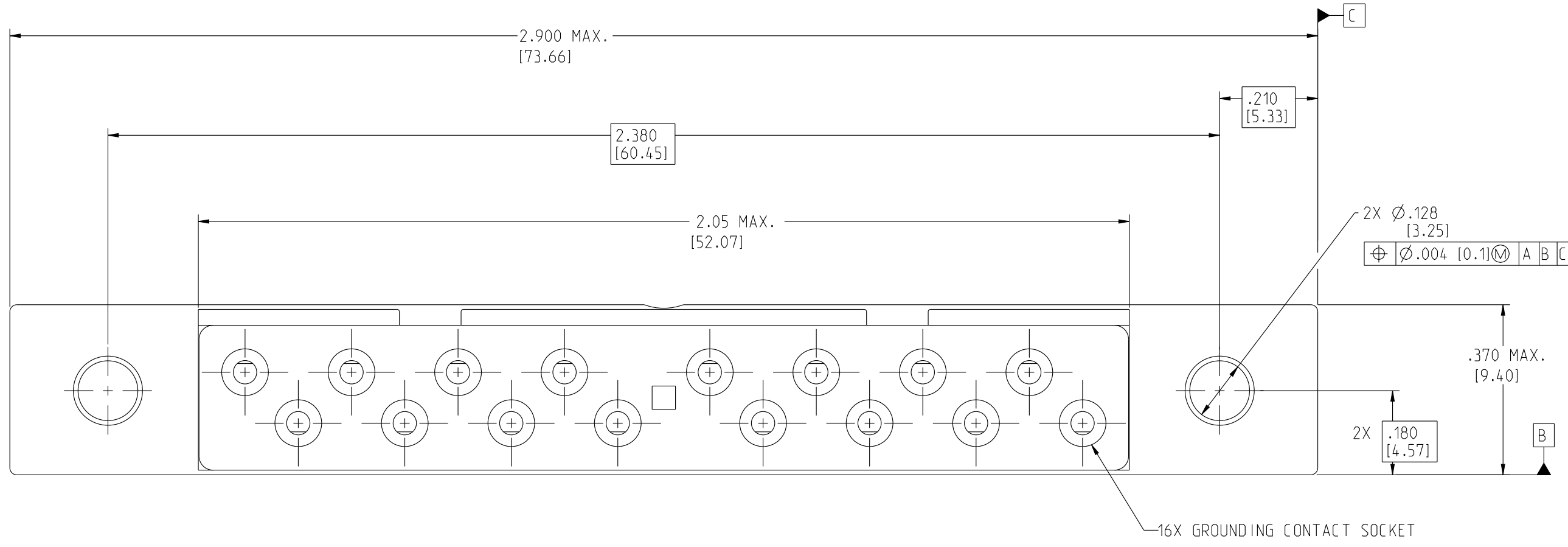


THIS DRAWING IS A CONTROLLED DOCUMENT FOR SOURIAU USA, INC. IT IS SUBJECT TO CHANGE WITHOUT NOTIFICATION. CONTACT THE DOCUMENT CONTROL CENTER FOR THE LATEST REVISION.



NOTES: UNLESS OTHERWISE SPECIFIED.

- GROUND BLOCK ACCOMMODATES PIN CONTACTS PER MIL-C-39029/1-101. WITH A WIRE RANGE OF 24-22-20 AWG. USE INSERTION/REMOVAL TOOL PER MIL-1-81969/14C-11.

MATERIAL:

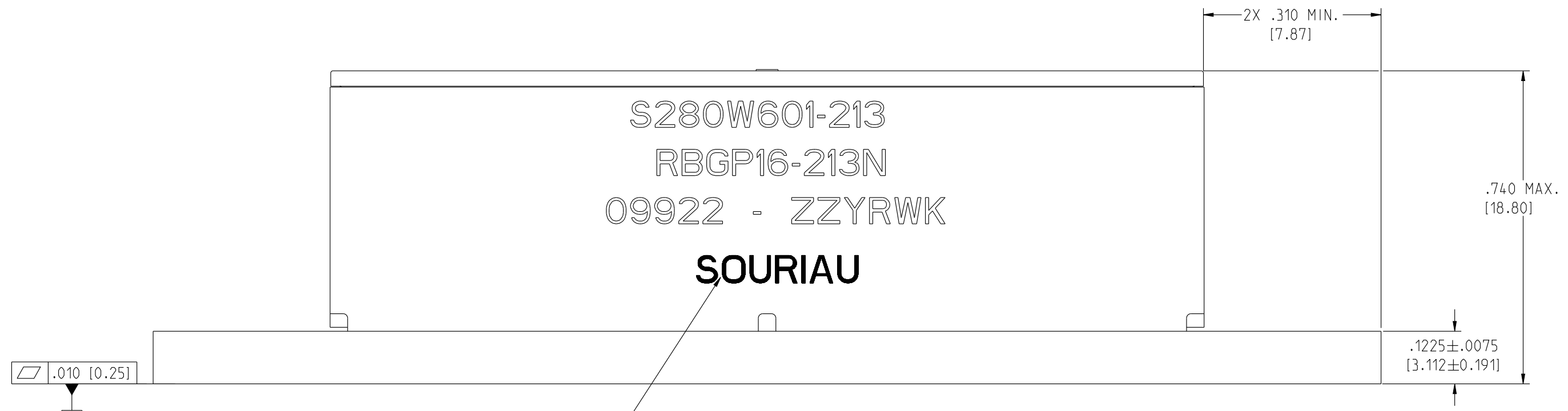
- STRAIN RELIEF GROMMET: SILICONE RUBBER. COLOR RED.
- GROMMET BONDING: EPOXY.
- GROUNDING MODULE BODY: GLASS FORTIFIED THERMOPLASTIC UL94V-0. COLOR BLUE.
- GROUNDING PLATE: ALUMINUM ALLOY PER QQ-A-200.
- GROUNDING RIVETS: ALUMINUM ALLOY.
- GROUNDING SOCKET CONTACTS: BERYLLIUM COPPER.
- CONTACT RETENTION CLIPS: BERYLLIUM COPPER.
- SOCKET CONTACT SLEEVES: GLASS FORTIFIED THERMOPLASTIC UL94V-0. COLOR NATURAL OR LIQUID CRYSTAL POLYMER.

PROTECTIVE COATING:

FINISH:

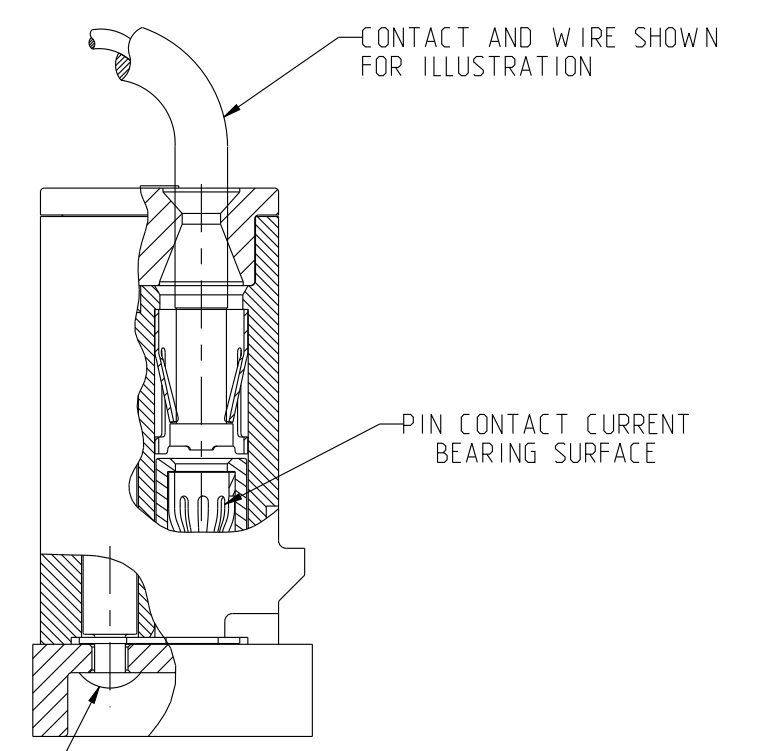
- PROTECTIVE COATING: POLYURETHANE. COLOR OPTIONAL.
- GROUNDING PLATE: SEE TABLE ON SHEET 2.
- GROUNDING SOCKET CONTACTS: 50 MICROINCHES [1.27 MICRONS] MIN. NICKEL ALL OVER. PIN CONTACT CURRENT BEARING SURFACE OVER-PLATED WITH 50 MICROINCHES [1.27 MICRONS] MIN. HARD GOLD.

ESTIMATED CONNECTOR WEIGHT: 15 GRAMS (.53 OZ)



CUSTOMER PART NO. SOURIAU CATALOG NO. CAGE NO. DATE CODE AND NAME. INK STAMPED COLOR WHITE

CATALOG NO. RBGP16-213N SHOWN



G	REVISED PER ECN 12046	RSK 08-22-13	SDH 08-22-13
F	REVISED PER ECN 11735	RSK 06-04-12	SDH 06-04-12
E	REVISED PER ECN 8357	SDH 06-28-04	SDH 06-28-04
D	REVISED PER ECN 7622	JRD 09-23-02	SDH 09-23-02
C	REVISED PER ECN 7500	JRD 08-28-02	SDH 08-28-02
B	REVISED PER ECN 7234	JRD 07-10-02	SDH 07-10-02
REV	DESCRIPTION	BY DATE	CHKD DATE

DRAWING TITLE  
**GROUND BLOCK, RACK AND PANEL MOUNTING**  
 CAT NO. **RBGP16-213 (SEE TABLE)**  
 CAGE NO: 09922 SIZE: C

**CUSTOMER**

**SOURIAU**  
 www.souriau.com

APPROVAL  
 DRAWN: RSK 05-18-12  
 CHKD: SDH 05-18-12  
 DSGN: FDH 03-01-93  
 MFG: DH 05-18-12  
 QC: BB 05-18-12  
 DRAWING SCALE: 4:1  
 DRAWING NO. SE95205  
 REV G

1 OF 2  
 PRO-E

LINEAR MEASURE:	$\frac{\text{INCH}}{\text{mm}}$	INCH [mm]
THIRD ANGLE PROJECTION		
TOLERANCES UNLESS OTHERWISE SPECIFIED		
No. OF PLACES	INCH [mm]	
ONE PLACE	±.1 [±3]	
TWO PLACES	±.02 [±0.5]	
THREE PLACES	±.010 [±0.25]	
ANGLES ±1°		

THE INFORMATION CONTAINED IN THIS DRAWING IS CONFIDENTIAL AND MAY NOT BE DISCLOSED WITHOUT WRITTEN CONSENT FROM SOURIAU USA, INC.

DWG. NO.

SE95205

THIS DRAWING IS A CONTROLLED DOCUMENT FOR SOURIAU USA, INC. IT IS SUBJECT TO CHANGE WITHOUT NOTIFICATION. CONTACT THE DOCUMENT CONTROL CENTER FOR THE LATEST REVISION.

### PERFORMANCE CHARACTERISTICS

#### MECHANICAL:

MAGNETIC PERMEABILITY: ALL MATERIALS DO NOT EXHIBIT A RELATIVE MAGNETIC PERMEABILITY OF GREATER THAN 2 IN ACCORDANCE WITH MIL-STD-1344, METHOD 3006.

MAINTENANCE AGING: IN ACCORDANCE WITH MIL-STD-1344, METHOD 2002

CONTACT INSERTION FORCE: 10 LBS [44.4N] MAX. IN ACCORDANCE WITH MIL-STD-1344, METHOD 2002.

CONTACT SEPARATION FORCE: 2.0 OZ [0.56N] MIN. IN ACCORDANCE WITH S280W601, PARA. 4.6.17.

CONTACT RETENTION: 20 LBS [88.9N] MIN. IN ACCORDANCE WITH MIL-STD-1344, METHOD 2007. AXIAL DISPLACEMENT DOES NOT EXCEED .012 [0.30]

PROBE DAMAGE: IN ACCORDANCE WITH S280W601, PARA. 4.6.12.

INTERNAL CONTACT DURABILITY: 100 CYCLES OF MATING AND UNMATING TO DEPTH OF MECHANICAL AND ELECTRICAL ENGAGEMENT IN ACCORDANCE WITH S280W601, PARA. 4.6.13.

OVERSIZE PIN CONTACT PROTECTION: GROUND BLOCK DESIGNED TO PREVENT ENTRANCE OF AN OVERSIZE TEST PIN OF Ø.077 [1.78] IN ACCORDANCE WITH S280W601, PARA. 4.6.15.

CONTACT WALKOUT: IN ACCORDANCE WITH S280W601, PARA. 4.6.16.

#### ENVIRONMENTAL:

SALT SPRAY: 48 HOURS IN ACCORDANCE WITH MIL-STD-1344, METHOD 1001, TEST CONDITION B.

VIBRATION (RANDOM): IN ACCORDANCE WITH MIL-STD-1344, METHOD 2005, TEST CONDITION V, LETTER E.

MECHANICAL (IMPACT) SHOCK: IN ACCORDANCE WITH MIL-STD-1344, METHOD 2004, TEST CONDITION A.

THERMAL SHOCK: IN ACCORDANCE WITH MIL-STD-1344, METHOD 1003, TEST CONDITION A, EXCEPT STEPS 2 AND 4 ARE 2 MINUTES MAX. DURATION. TEMPERATURE EXTREMES FOR STEPS 1 AND 3 ARE -65°C +0°/-5°C TO +125°C +5°/-0°C [-85°F +0°/-9°F TO +257°F +9°/-0°F).

TEMPERATURE LIFE: 125°C +5°/0°C [257°F +9°/0°F] FOR 1000 HOURS IN ACCORDANCE WITH S280W601, PARA. 4.6.10.

#### ELECTRICAL:



CONTACT RESISTANCE: IN ACCORDANCE WITH MIL-STD-1344, METHOD 3004, SIZE 16-20: 45 MILLIVOLTS MAX. AT 7.5 AMPS WITH 20 AWG SILVER PLATED WIRE.

LOW LEVEL CONTACT RESISTANCE: IN ACCORDANCE WITH MIL-STD-1344, METHOD 3002 SIZE 16-20: .009 OHMS MAX. WITH 20 AWG SILVER PLATED WIRE.

VOLTAGE STABILITY: 4 MILLIVOLT MAX. DIFFERENCE BETWEEN RECORDED HIGHEST AND LOWEST POTENTIAL DROP VALUES IN ACCORDANCE WITH S280W601, PARA. 4.6.14.

CATALOG NO. DESCRIPTION TABLE		
CATALOG NO.	CUSTOMER PART NO.	GROUNDING PLATE FINISH
RBGP16-213	-	CHROMATE CONVERSION COATED PER MIL-C-81706, CLASS 3, METHOD C, COLOR GOLD (REF: ALODINE 1200)
RBGP16-213N	S280W601-213	NICKEL PLATED PER MIL-C-26074, CLASS 3, GRADE B (500 MICROINCHES [12.7MICRONS] MIN.)

THE INFORMATION CONTAINED IN THIS DRAWING IS CONFIDENTIAL AND MAY NOT BE DISCLOSED WITHOUT WRITTEN CONSENT FROM SOURIAU USA, INC.

LINEAR MEASURE: 	
THIRD ANGLE PROJECTION 	
TOLERANCES UNLESS OTHERWISE SPECIFIED	
No. OF PLACES	INCH [mm]
ONE PLACE	±.1 [±.3]
TWO PLACES	±.02 [±0.5]
THREE PLACES	±.010 [±0.25]
ANGLES ±1°	

DRAWING TITLE																			
<b>GROUND BLOCK, RACK AND PANEL MOUNTING</b>																			
CAT NO. <b>RBGP16-213 (SEE TABLE)</b>																			
CAGE NO: 09922	SIZE: C																		
<b>CUSTOMER</b>	<b>SOURIAU</b>																		
		www.souriau.com																	
INTERPRET THIS DRAWING IN ACCORDANCE WITH ASME Y14.5M - 1994.																			
APPROVAL	<table border="1"> <tr> <td>DRAWN: RSK</td> <td>05-18-12</td> </tr> <tr> <td>CHKD : SDH</td> <td>05-18-12</td> </tr> <tr> <td>DSGN : FDH</td> <td>03-01-93</td> </tr> <tr> <td>MFG : DH</td> <td>05-18-12</td> </tr> <tr> <td>QC : BB</td> <td>05-18-12</td> </tr> <tr> <td colspan="2">DRAWING SCALE: 4:1</td> </tr> <tr> <td>DRAWING NO.</td> <td>REV</td> </tr> <tr> <td><b>SE95205</b></td> <td><b>G</b></td> </tr> <tr> <td colspan="2">2 OF 2</td> </tr> </table>	DRAWN: RSK	05-18-12	CHKD : SDH	05-18-12	DSGN : FDH	03-01-93	MFG : DH	05-18-12	QC : BB	05-18-12	DRAWING SCALE: 4:1		DRAWING NO.	REV	<b>SE95205</b>	<b>G</b>	2 OF 2	
DRAWN: RSK	05-18-12																		
CHKD : SDH	05-18-12																		
DSGN : FDH	03-01-93																		
MFG : DH	05-18-12																		
QC : BB	05-18-12																		
DRAWING SCALE: 4:1																			
DRAWING NO.	REV																		
<b>SE95205</b>	<b>G</b>																		
2 OF 2																			