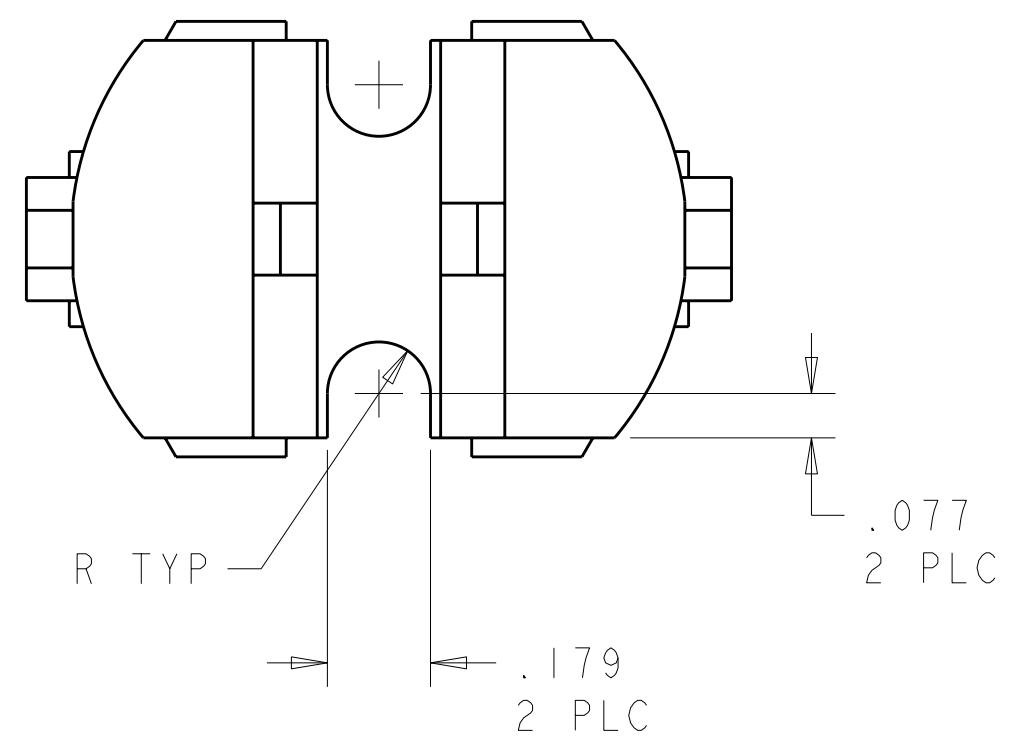
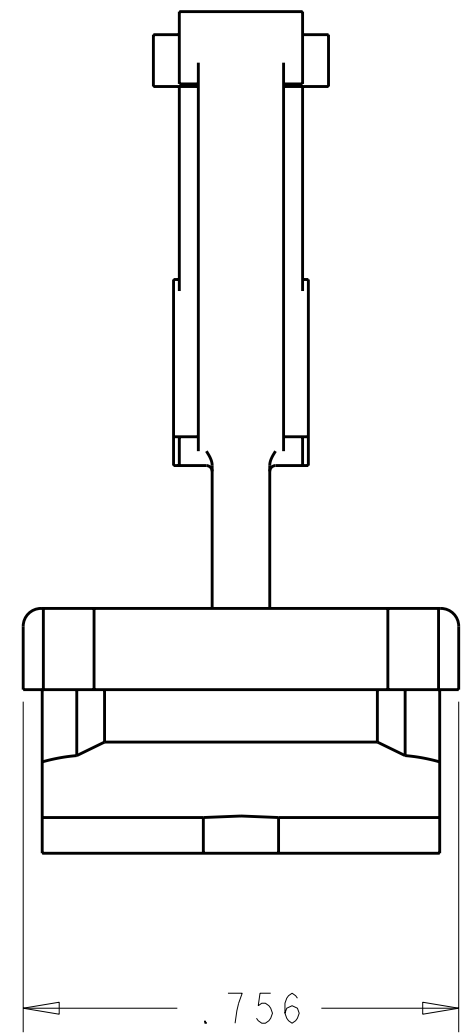
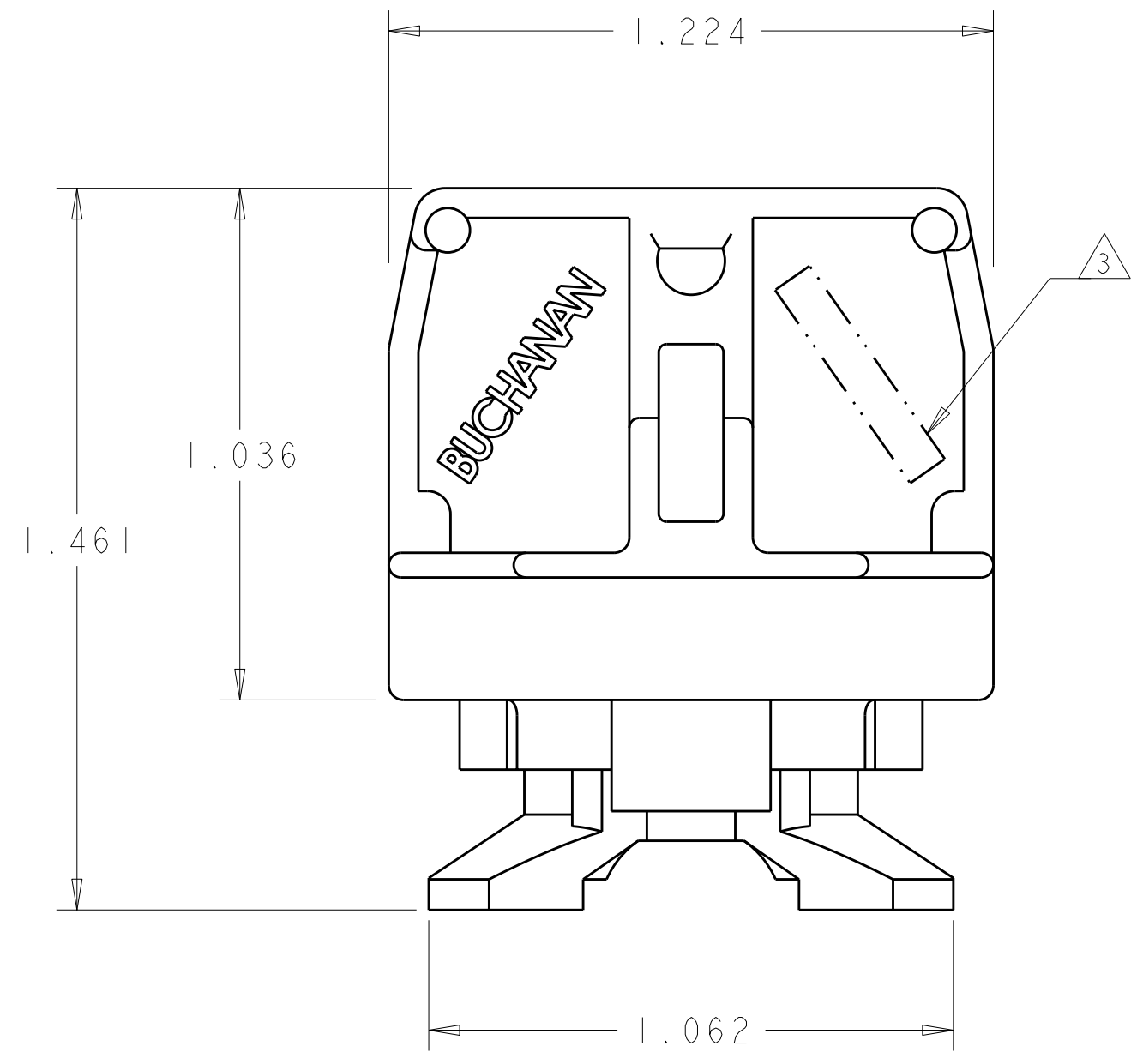


THIS DRAWING IS UNPUBLISHED. RELEASED FOR PUBLICATION 20  
 © COPYRIGHT 20 BY TYCO ELECTRONICS CORPORATION. ALL RIGHTS RESERVED.

LOC	DIST	REVISIONS			
P	LTR	DESCRIPTION	DATE	DWN	APVD
FT	0	D	REVISED PER ECO-10-006414	29MAR2010	HMR CR



- ① POLYESTER, UL 94V-0 RATED, COLOR: GRAY.
- ② SEE RESTRICTED CUSTOMER DRAWING 3-1437394-8.
- ③ TYCOELECTRONICS LOGO LOCATED APPROXIMATELY AS SHOWN.

3-1437394-8	②
1546164-1	
PART NUMBER	

<small>THIS DRAWING IS A CONTROLLED DOCUMENT FOR TYCO ELECTRONICS CORPORATION                  IT IS SUBJECT TO CHANGE AND THE CONTROLLING ENGINEERING ORGANIZATION                  SHOULD BE CONTACTED FOR THE LATEST REVISION.</small>		DWN S. WELDON 13JUN2002 CHK S. YODER 13JUN2002 APVD S. YODER 13JUN2002	Tyco Electronics Harrisburg, PA 17105-3608
DIMENSIONS: INCHES	TOLERANCES UNLESS OTHERWISE SPECIFIED:	PRODUCT SPEC APPLICATION SPEC	NAME TERMINAL BLOCK, END SECTION MEDIUM DUTY, DOVETAIL BASE
0 PLC ± 1 PLC ± 2 PLC ± 3 PLC ±.010 4 PLC ± ANGLES ± FINISH	①	WEIGHT -	SIZE A2 CAGE CODE 00779 DRAWING NO. 1546164 RESTRICTED TO -
MATERIAL ① -		CUSTOMER DRAWING	SCALE 3:1 SHEET 1 OF 1 REV D