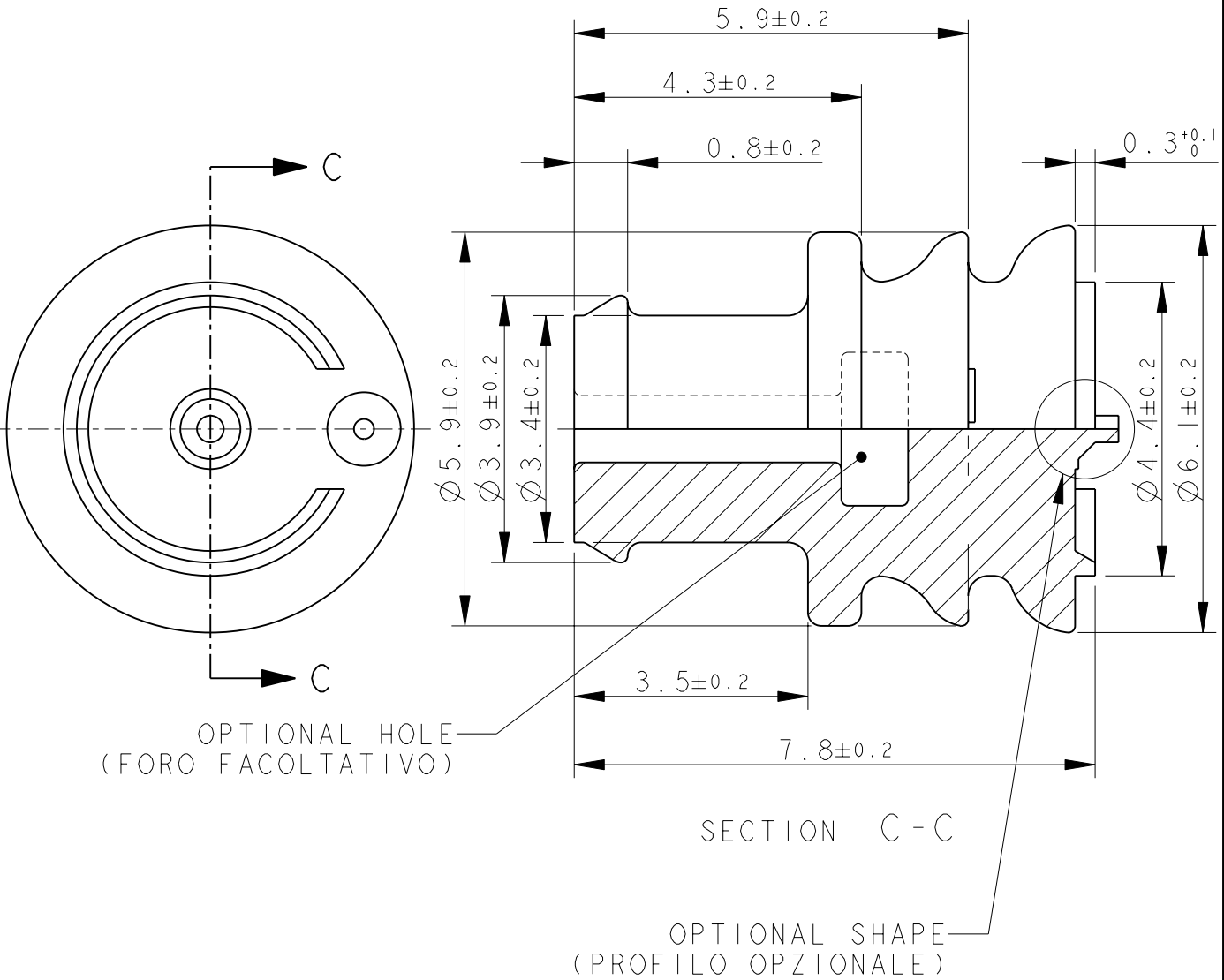


LOC	DIST	REVISIONS					
	-	P	LTR	DESCRIPTION	DATE	DWN	APVD
			E3	REVISED PER ECO-11-005033	24MAR2011	RK	HMR



282081-1	E	RED (ROSSO)	SILICON RUBBER (GOMMA SILICONICA)
PART NO.	REV.	COLOUR	MATERIAL

DIMENSIONS: mm	DWN C. BERTINI	OCT-1989	MATERIAL	SEE TABLE (VEDI TABELLA)	FINISH	-
	CHK A. BRUNI	OCT-1989				
TOLERANCES UNLESS OTHERWISE SPECIFIED:	APVD	-				
0 PLC ±0.3	PRODUCT SPEC	-	NAME CAVITY PLUG FOR SUPERSEAL CONNECTOR (TAPPO CAVITA' PER CONN. SUPERSEAL)			
1 PLC ±0.3	APPLICATION SPEC	-	SIZE	CAGE CODE	DRAWING NO	RESTRICTED TO
2 PLC ±			A4	00779	C-282081	-
3 PLC ±-	WEIGHT	-	CUSTOMER DRAWING			
4 PLC ±-			SCALE	10:1	SHEET	1 OF 1
ANGLES ±2°			REV E3			