

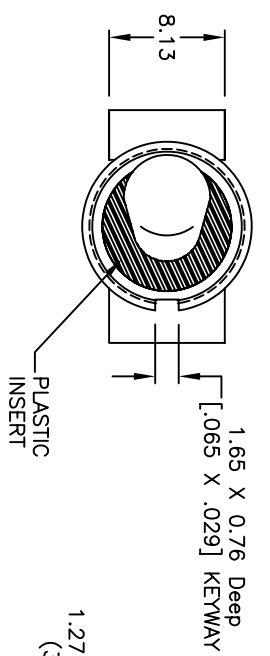
RECOMMENDED P.C.B. LAYOUT CIRCUIT: SPDT

POS. 1	POS. 2	POS. 3
DN	NONE	DN
2-3	OPEN	2-1

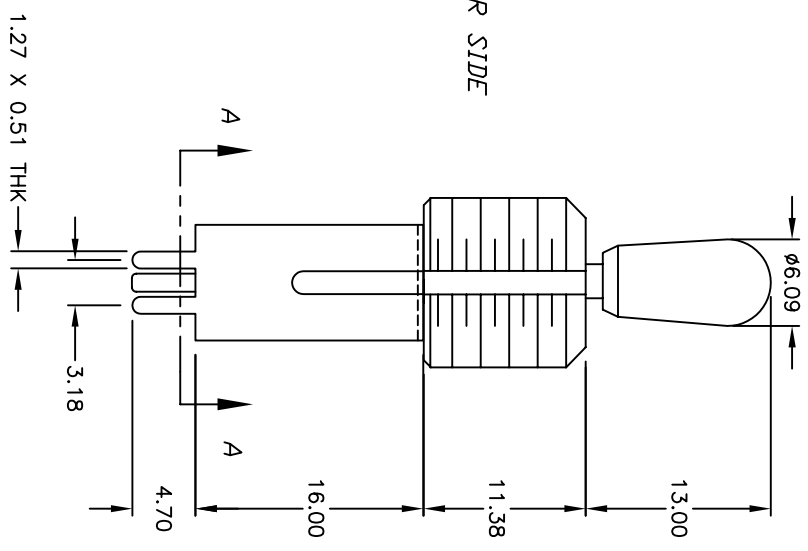
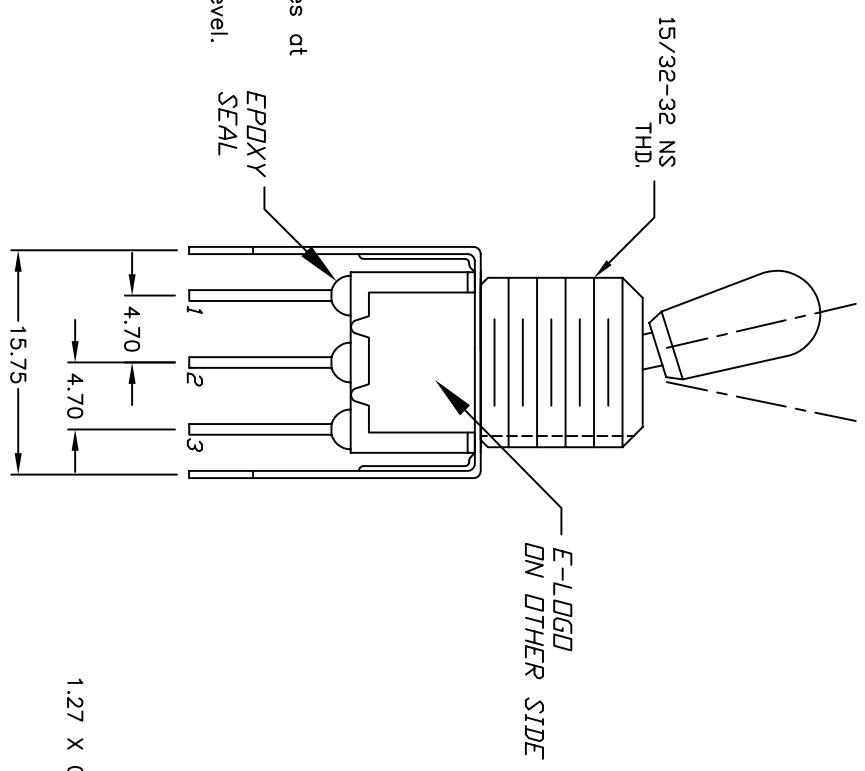
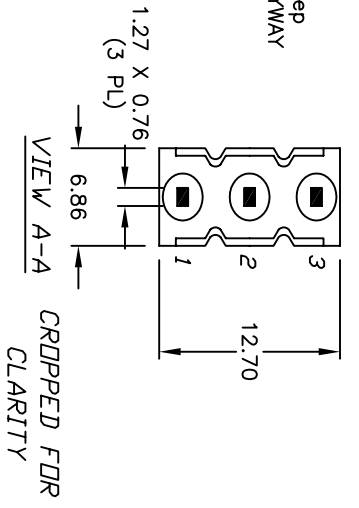
( < ) = MOMENTARY

NOTES:

1. ALL DIMENSIONS IN MM
2. GENERAL TOLERANCE: X.X=±0.4  
X.XX=±0.25
3. TERM. NOS. FOR REF. ONLY
4. RATING: 0.4VA @20 (AC or DC)
5. FIXED TERM. & MOVING CONTACT:  
Copper alloy w/GOLD plate over  
Nickel plate
6. ELECTRICAL LIFE: 50,000 make-and-break cycles at full load.
7. INSULATION RESISTANCE: 1000M ohm min.
8. DIELECTRIC STRENGTH: 1000V RMS min. @sea level.
9. OPERATING TEMP.: -30°C to +85°C
10. MATERIAL: ACTUATOR: Brass Chrome plated  
BUSHING: Brass Nickel plated.  
HOUSING: STAINLESS STEEL
11. 2002/95/EC (ROHS) COMPLIANT
12. HARDWARE TO BE SUPPLIED IN BULK:  
T100012-LOCK WASHER QTY-1  
T100003-LOCK RING QTY-1  
T100000-HEX NUT QTY-2



POS. 1 POS. 2 POS. 3



REV.	ECN NO.	DESCRIPTION	DATE	CHKD
A	15483	RELEASED FOR PRODUCTION	11/1/05	PH

TITLE	SCALE	DATE	DR	DWG	REV
100 SP-1 T7 B13 VS3 R EH (GOLD CONTACTS)	2:1	11/1/05	PH	ST110011	A

THE INFORMATION CONTAINED IN THIS DOCUMENT IS PROPRIETARY TO E-SWITCH AND IS NOT TO BE COPIED OR TRANSFERRED