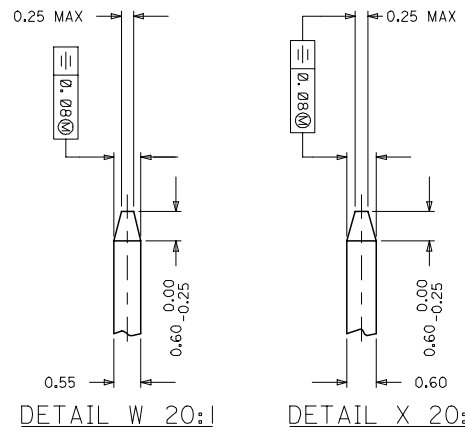
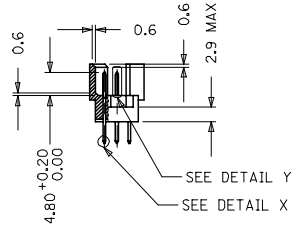
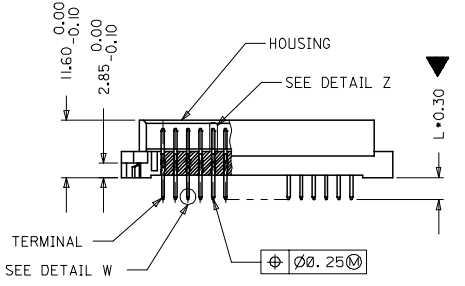
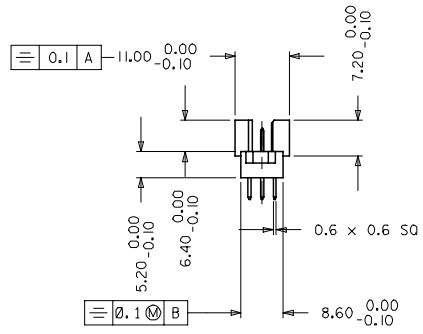
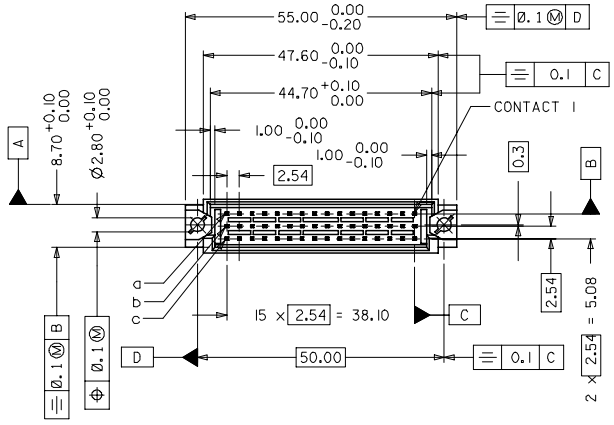
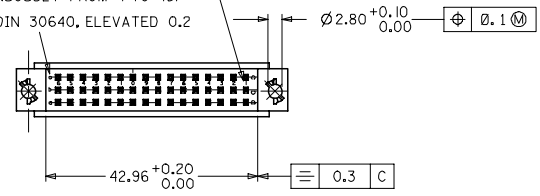


NOTES:

1. MATERIAL NUMBER, BATCH CODE, UL CSA MARKING TO BE PRINTED ON THE CONNECTOR AS PER E-36502-005
2. PRODUCT SPECIFICATION PS:85013-001
3. PACKING SPECIFICATION PK: 36512-001
4. CUT FACES OF TIP WITHOUT PLATING IS PERMITTED
5. REFERENCE AREA OF PLATING
6. GAUGE DRAWING REFER E-36500-100



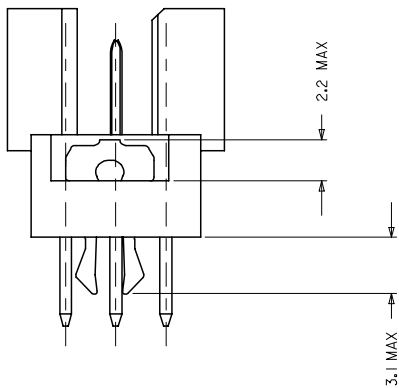
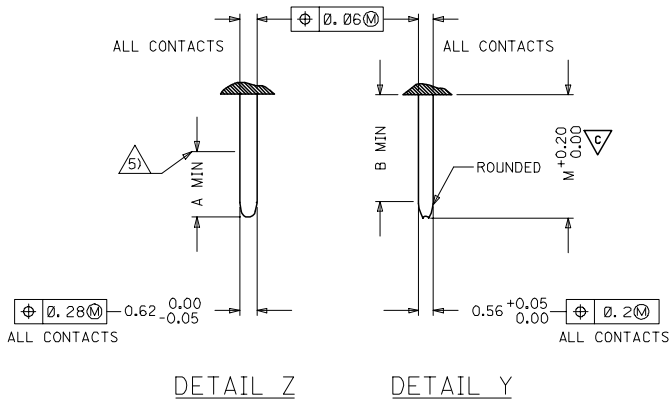
SCRIPT E1.25-5 DIN 30640, ELEVATED 0.2  
(NUMBERED CONTINUOUSLY FROM 1 TO 16)  
SCRIPT E1.5-6 DIN 30640, ELEVATED 0.2



EC NO. 12005-0092 DRAWN BY DRWNSHIVASHA CHKD BY CHAKRAPASAI APPRD BY SUDHIR	QUALITY SYMBOLS ▽=1 ▽=0	GENERAL TOLERANCES (UNLESS SPECIFIED)		DIMENSION STYLE		SCALE	DESIGN UNITS	THIRD ANGLE PROJECTION	
		mm	INCH	MM ONLY		2:1	METRIC		
DESCRIPTION	4 PLACES ±	±	---	DRAWN BY	DATE	TITLE			
	3 PLACES ±0.005	±	---	NS	2004/03/31	48 POS. MALE CONNECTOR			
	2 PLACES ±0.05	±	---	CHECKED BY	DATE	ACC. DIN 41612			
	1 PLACE ±0.1	±	---	GJLOWE	2004/03/31	STYLE R/2 CONTACTS			
MATERIAL NO.	ANGULAR ± 2°			APPROVED BY	DATE	MOLEX		MOLEX INCORPORATED	
	DRAFT WHERE APPLICABLE MUST REMAIN WITHIN DIMENSIONS			GJLOWE	2004/03/31	DOCUMENT NO.		SHEET NO.	
SIZE	SEE CHART			MATERIAL NO.		E-85013-0002		1 OF 2	
THIS DRAWING CONTAINS INFORMATION THAT IS PROPRIETARY TO MOLEX INCORPORATED AND SHOULD NOT BE USED WITHOUT WRITTEN PERMISSION									

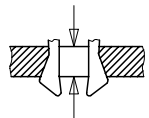
PRE MATING CONTACTS	5.4	4.1	4.8
NORMAL CONTACTS	4.8	3.5	4.2
	M	A	B

### MALE CONNECTOR WITH MOUNTING CLIPS



CLIPS SNAP UNDER  
PC - BOARD OF  
1.5 to 1.8 mm  
Fm < 60N  
Fr >= 20N  
Fr >= 200N, WHEN  
SOLDERED IN  
PLATED - THROUGH  
FIXING HOLES

Fm = MOUNTING FORCE  
(FOR ONE CONNECTOR = 2 CLIPS)



FR = RETENTION FORCE  
(FOR ONE CONNECTOR = 2 CLIPS)



CLIPS STICK IN  
FIXING HOLE OF  
PC - BOARDS  
OVER 1.8 mm  
Fm < 60N  
FR >= 16N

IEC NO. 12005-0092 2004/11/23 DR:WNSHTYASHA CH:KADRASAI APPR:SSUDHIR 2004/11/23	QUALITY SYMBOLS ▽=0 ▽=1	GENERAL TOLERANCES (UNLESS SPECIFIED)		DIMENSION STYLE MM ONLY	SCALE 2:1	DESIGN UNITS METRIC	THIRD ANGLE PROJECTION		
		mm	INCH	DRAWN BY NS	DATE 2004/03/31	TITLE 48 POS. MALE CONNECTOR ACC. DIN 41612 STYLE R/2 CONTACTS			
		4 PLACES ±	±		CHECKED BY GJLOWE	DATE 2004/03/31	MATERIAL NO. SEE CHART	DOCUMENT NO. E-85013-0002	SHEET NO. 2 OF 2
		3 PLACES ±0.005	±		APPROVED BY GJLOWE	DATE 2004/03/31			
		2 PLACES ±0.05	±		THIS DRAWING CONTAINS INFORMATION THAT IS PROPRIETARY TO MOLEX INCORPORATED AND SHOULD NOT BE USED WITHOUT WRITTEN PERMISSION				
		1 PLACE ±0.1	±						
		ANGULAR ± 2 °							

20 19 18 17 16 15 14 13 12 11 9 8 7 6 5 4 3 2 1

VIEW ON MATING SIDE

A	A	A	A	A	A	A	A	A	A	A	A	A	A	A	A	A	A	A	A
A	A	A	A	A	A	A	A	A	A	A	A	A	A	A	A	A	A	A	A
A	A	A	A	A	A	A	A	A	A	A	A	A	A	A	A	A	A	A	A

- 2 3 4 5 6 7 8 9 10 = 11 12 13 14 15 16

A = 48 STANDARD CONTACTS L = 2.9

MARKING	STANDARD
PERFORMANCE LEVEL	G2/0 = CONTACT AREA LEVEL2 / TERMINATION TIN
FLUX PROOF	NO
FIXING CLIP	NO
DIMENSIONS	E-85013-0002 SHT 1-2

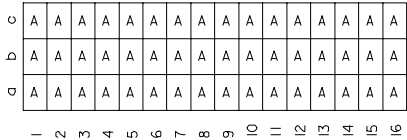
A	G2/0	a1-16 b1-16 c1-16
CONTACT SYMBOL	PERFORMANCE LEVEL	CONTACT POSITION NUMBER

SL. NO.	DESCRIPTION	CONTACT SYMBOL	PART NUMBER	QTY
1	HOUSING		36520-0002	1
2	TERMINAL	A	36527-0005	48

EC NO. I 2004-XXXX DRAWN NS 31/03/04 CHK G.L. 31/03/04 APPR G.L. 31/03/04			QUALITY SYMBOLS	GENERAL TOLERANCES: (UNLESS SPECIFIED)		SCALE	DESIGN UNITS	DIMENSIONS:		SHT	REV		
			MAJOR	mm INCH		<input checked="" type="checkbox"/> mm <input type="checkbox"/> INCH	<input checked="" type="checkbox"/> mm <input type="checkbox"/> INCH	<input type="checkbox"/> mm <input type="checkbox"/> INCH	<input checked="" type="checkbox"/> mm <input type="checkbox"/> INCH	THIRD ANGLE PROJECTION	REVISE ON CAD ONLY		
			CRITICAL	±		±		±		±		±	
			DESCRIPTION	±		±		±		±		±	
REV	DRAWN BY & DATE		CHECKED BY & DATE		APPROVED BY & DATE		TITLE: 48 POS MALE CONNECTOR		SHEET NO.				
A	NLS 31/03/04		G.L. 31/03/04		G.L. 31/03/04		ACCORDING DIN 41612 STYLE R/2		1 OF 1				
	CAD FILENAME		MATERIAL NO.		DRAWING NO.		CONTACTS ARRANGEMENT		SIZE				
	E-85013-2012.S01		85013-2012		E-85013-2012		MOLEX INCORPORATED		D				
DRAFT WHERE APPLICABLE MUST REMAIN WITHIN DIMENSIONS						THIS DRAWING CONTAINS INFORMATION THAT IS PROPRIETARY TO MOLEX INCORPORATED AND SHOULD NOT BE USED WITHOUT WRITTEN PERMISSION.							

19 18 17 16 15 14 13 12 11 10 9 8 7 6 5 4 3 2 1

VIEW ON MATING SIDE



A = 48 STANDARD CONTACTS L = 2.9

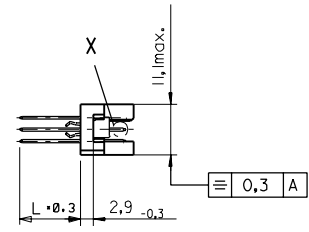
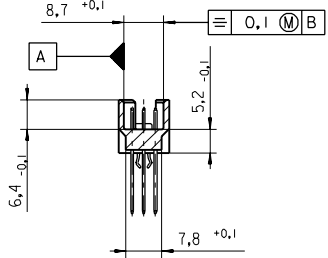
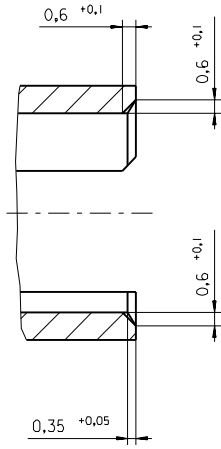
MARKING	STANDARD
PERFORMANCE LEVEL	G2/O = CONTACT AREA LEVEL2 / TERMINATION TIN
FLUX PROOF	NO
FIXING CLIP	NO
DIMENSIONS	SD-85013-0002 SHT 1

A	G2/O	a1-16 b1-16 c1-16
CONTACT SYMBOL	PERFORMANCE LEVEL	CONTACT POSITION NUMBER

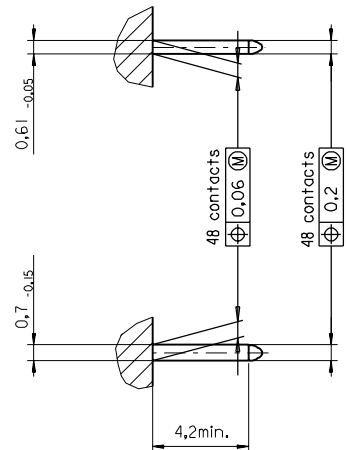
EC NO. I 2004-XXXX DRAWN N.S. 11/10/01 CHK'd G.L. 11/10/01 APPR G.L. 11/10/01	QUALITY SYMBOLS MAJOR $\nabla$ <sub>1</sub> CRITICAL $\nabla$ <sub>2</sub>	GENERAL TOLERANCES (UNLESS SPECIFIED):		SCALE	DESIGN UNITS	DIMENSIONS:		SHT	REV	
					<input checked="" type="checkbox"/> M M <input type="checkbox"/> INCH	<input type="checkbox"/> M M <input type="checkbox"/> INCH	<input type="checkbox"/> M M <input checked="" type="checkbox"/> INCH ONLY	REVISE ON CAD ONLY		
		4 PLACES $\pm 0.$	$\pm.$	DRAWN BY & DATE N.S. 11/10/01		TITLE: 48 POS MALE CONNECTOR ACCORDING DIN 41612 STYLE R/2 CONTACTS ARRANGEMENT				
		3 PLACES $\pm 0.$	$\pm.$	CHECKED BY & DATE G.L. 11/10/01		MOLEX INCORPORATED				
2 PLACES $\pm 0.$	$\pm.$	APPROVED BY & DATE G.L. 11/10/01		CAD FILENAME	MATERIAL NO.	DRAWING NO.	SHEET NO.			
1 PLACE $\pm 0.$	$\pm.$	ANGULAR $\pm$		S850132012.S01	85013-2012	SD-85013-2012	1 OF 1			
DRAFT WHERE APPLICABLE MUST REMAIN WITHIN DIMENSIONS		THIS DRAWING CONTAINS INFORMATION THAT IS PROPRIETARY TO MOLEX INCORPORATED AND SHOULD NOT BE USED WITHOUT WRITTEN PERMISSION.								

PART NO.  
DWG. NO.

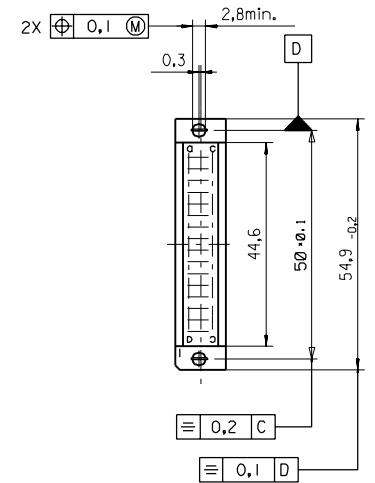
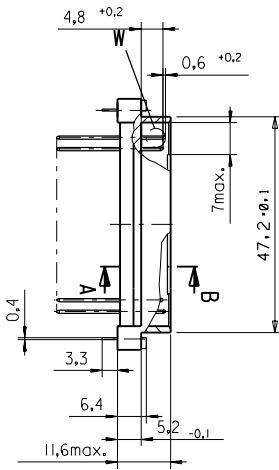
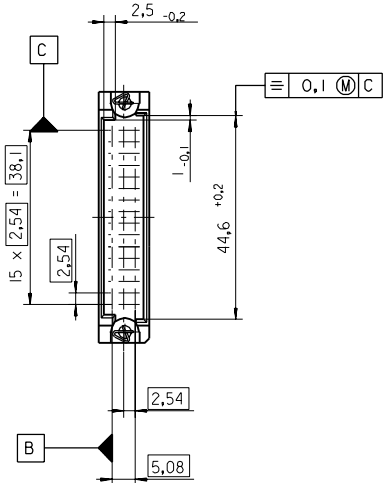
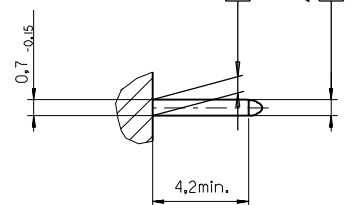
Section A - B  
5:1



View X  
5:1



View W  
5:1



BI	LTR	first release see ECN No. 1887	FIRST ANGLE PROJECTION		REVISE ONLY ON CAD SYSTEM		SH.	REV.	
		FOR PREVIOUS REVISIONS SEE MRI LIST	UNLESS OTHERWISE SPECIFIED TOLERANCES: ANGULAR ± 2°	DRWG BY <b>Ca</b>	SIGN	CAD/CAM PROJECT NAME 85013000 821		THIS DRAWING CONTAINS INFORMATION THAT IS PROPRIETARY TO MOLEX INC. & SHOULD NOT BE USED WITHOUT WRITTEN PERMISSION	
			INCH	METRIC	CHK'D BY <b>KN</b>	SIGN	TITLE <b>48 pos. Male connector acc. DIN 41612 style R/2 Dimensions</b>		
			3 PLACE ± . ±	±	APP'D BY	SIGN	MOLEX MOLEX EUROPE		SHEET NO. DATE 1 OF 95/06/08
			DRAFT WHERE APPLICABLE MUST REMAIN WITHIN DIMENSIONS		SCALE		PART NO.		DWG NO. SDA-85013-0002
			DESIGN DIMENSION	<input checked="" type="checkbox"/> MM <input type="checkbox"/> IN.			SIZE B		
			EQUIVALENT DIMENSION	<input type="checkbox"/> MM <input type="checkbox"/> IN.					
			IF TWO DIMENSIONS ARE SHOWN THE UPPER IS THE DESIGN DIMENSION, LOWER IS SECONDARY						

VIEW ON MATING SIDE

∩	A	A	A	A	A	A	A	A	A	A	A	A	A	A	A	A	A	A
∩	A	A	A	A	A	A	A	A	A	A	A	A	A	A	A	A	A	A
∩	A	A	A	A	A	A	A	A	A	A	A	A	A	A	A	A	A	A

1 2 3 4 5 6 7 8 9 10 11 12 13 14 15 16 17 18 19 20 21 22 23 24 25 26 27 28 29 30 31 32 33 34 35 36 37 38 39 40 41 42 43 44 45 46 47 48 49 50 51 52 53 54 55 56 57 58 59 60 61 62 63 64 65 66 67 68 69 70 71 72 73 74 75 76 77 78 79 80 81 82 83 84 85 86 87 88 89 90 91 92 93 94 95 96 97 98 99 100

A = 48 STANDARD CONTACTS L-2,9

Marking	Standard
Performance level	G2/0 = Contact area perform. level2 / Termination tin
Flux proof	no
Fixing clip	no
Dimensions	SDA-85013-0002 sht.1
Technical Data	PS-85013-0001

A	G2/0	a1-16	b1-16	c1-16
Contact symbol	Perform. level	Contact position number		

first release see ECN No. 1868	REVISIONS		FOR PREVIOUS REVISIONS SEE MRI LIST		
	LTR	∇			
UNLESS OTHERWISE SPECIFIED TOLERANCES: ANGULAR ± 2° INCH METRIC	DRWG BY	SIGN	CAD/CAM PROJECT NAME	REVISE ONLY ON CAD SYSTEM	SH. REV.
3 PLACE ± . 2 PLACE ± . 1 PLACE ± .	Ca		s8501320 s11		
DRAFT WHERE APPLICABLE MUST REMAIN WITHIN DIMENSIONS	CHK'D BY	SIGN	THIS DRAWING CONTAINS INFORMATION THAT IS PROPRIETARY TO MOLEX INC. & SHOULD NOT BE USED WITHOUT WRITTEN PERMISSION		
DESIGN DIMENSION <input type="checkbox"/> MM <input type="checkbox"/> IN.	KN		TITLE		
EQUIVALENT DIMENSION <input type="checkbox"/> MM <input type="checkbox"/> IN.	APP'D BY	SIGN	48 pos. Male connector acc. DIN 41612 style R/2 contacts arrangement		
IF TWO DIMENSIONS ARE SHOWN, THE UPPER IS THE DESIGN DIMENSION, LOWER IS SECONDARY	SCALE		SHEET NO. DATE		
			1 OF 1 95/06/07		
			PART NO. DWG NO.		
			85013-2012 SDA-85013-2012		