

NOTES:

1. MATERIALS AND FINISHES:

- BODY - BRASS, NICKEL PLATING
- CONTACT - PHOSPHOR BRONZE, GOLD PLATING
- FERRULE - COPPER, NICKEL PLATING
- INSULATOR - PTFE
- SHRINK TUBE - POLYOLEFIN

2. WHEN CRIMPING CONTACT TO CABLE, CRIMP WITH AMPHENOL TOOL 227-944 AND DIE SET 227-1221-157, CAVITY 'B'. HEX CRIMP SIZE .100"

3. CRIMP FERRULE OVER BRAID AND BODY WITH AMPHENOL TOOL 277-944 AND DIE SET 227-1221-57, CAVITY 'A'. HEX CRIMP SIZE .213"

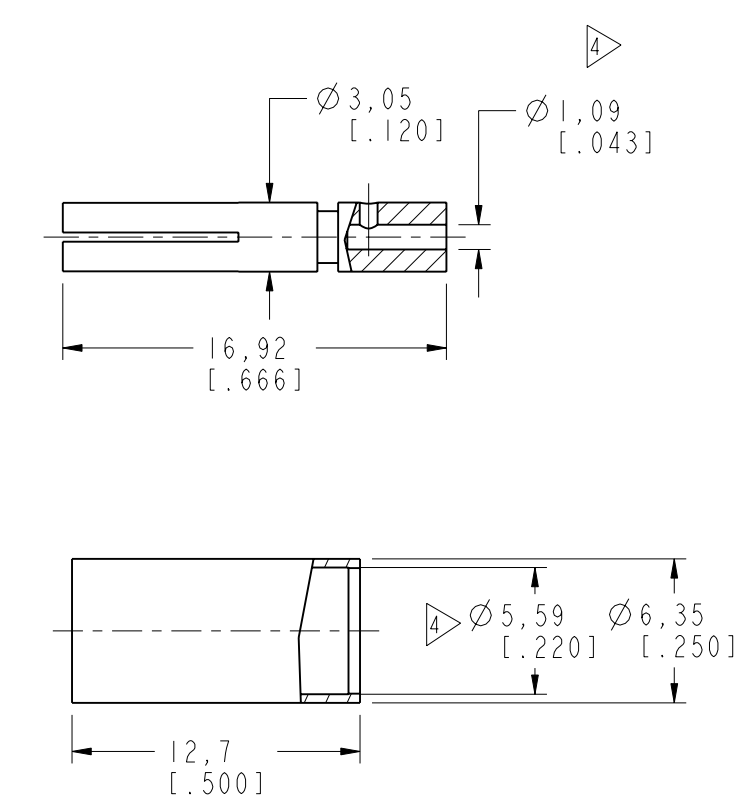
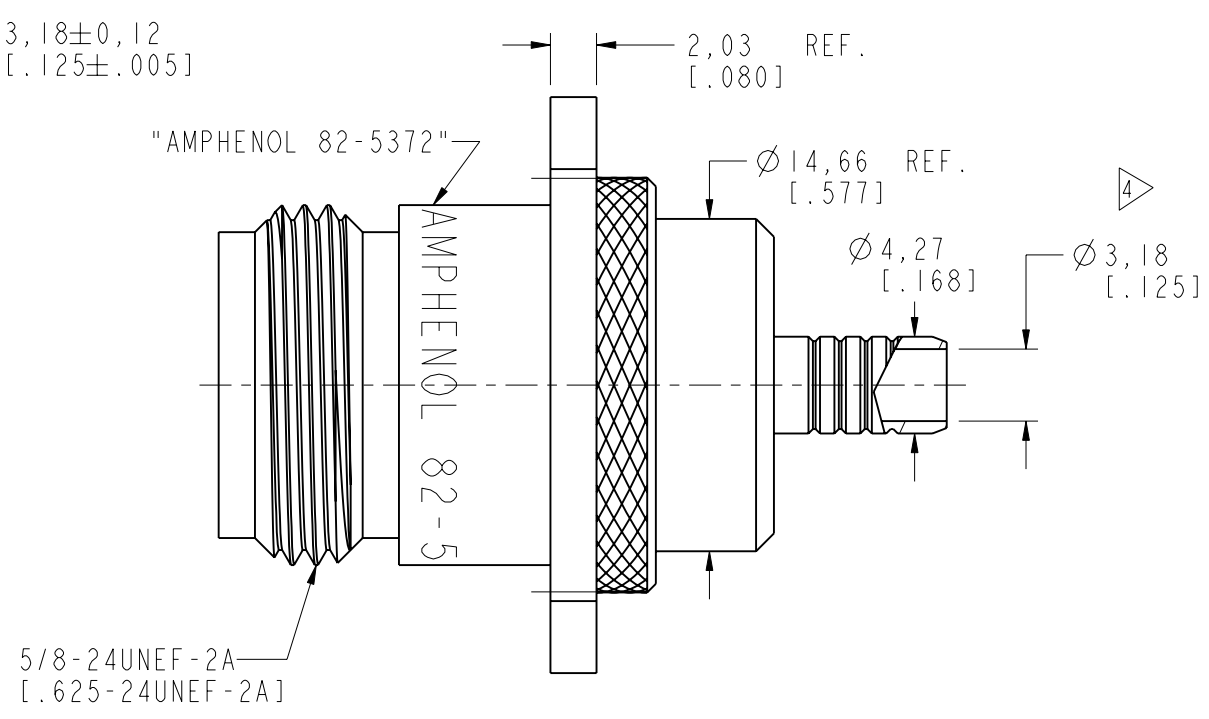
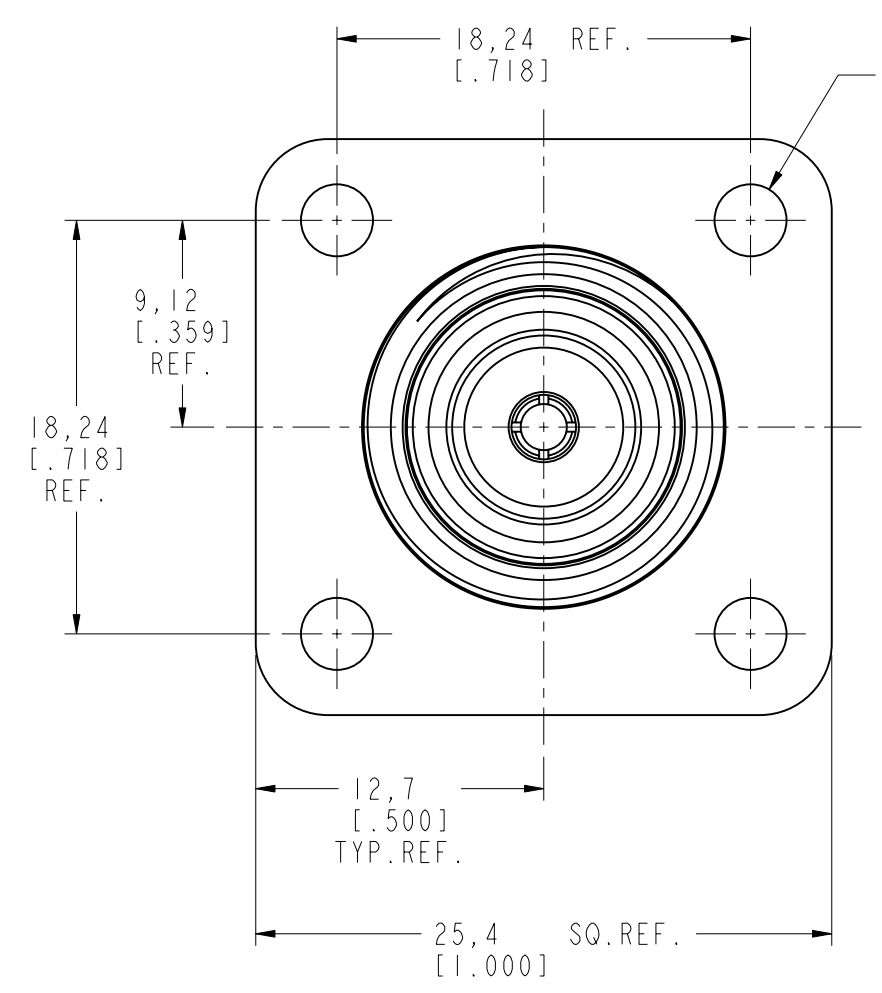
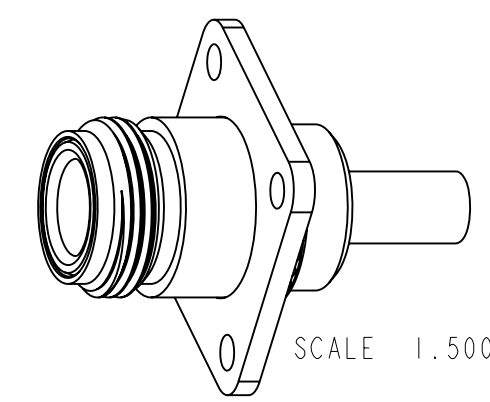
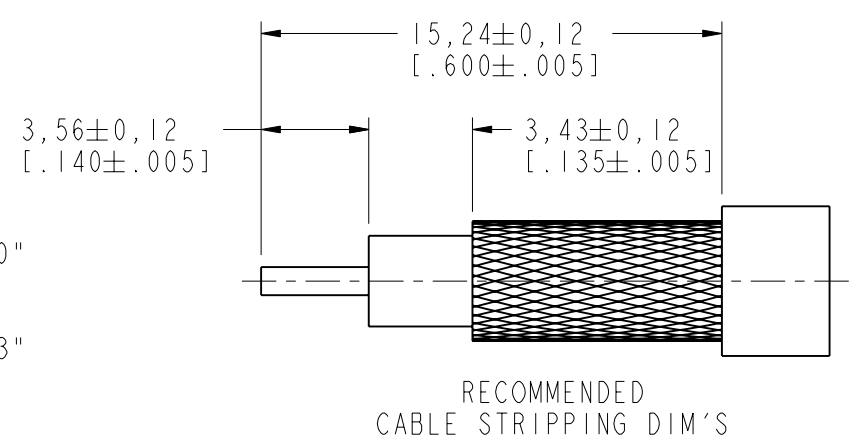
4. CABLE ENTRY DIMS.

5. HEAT SHRINK TUBING SUPPLIED ON REQUEST.

THIRD ANGLE PROJ.

REVISIONS

REV	DESCRIPTION	DATE	ECO	APPR
	OFFICIAL ENG. RELEASE TO MFG.	4/4/66	13253	
K	CHG'D. PLATE NOTE 1-ADDED REF NOTE.	2/8/93	39297	CPM/DR
L	UPDATED TO GLOBAL FORMAT	29-Nov-13	49736	RM



CUSTOMER OUTLINE DRAWING
ALL OTHER SHEETS ARE FOR INTERNAL USE ONLY

<p>UNLESS OTHERWISE SPECIFIED, DIMENSIONS ARE IN METRIC AND TOLERANCES ARE: <0.5mm ± 0.05mm 0.5 - 6mm ± 0.1mm 6 - 30mm ± 0.2mm 30 - 120mm ± 0.3mm ANGLES ± 1°</p> <p>NOTICE - These drawings, specifications, or other data (1) are, and remain the property of Amphenol corp. (2) must be returned upon request; and (3) are confidential and not to be disclosed to any person other than those to whom they are given by Amphenol Corp. the furnishing of these drawings, specifications, or other data by Amphenol Corp., or to any other person to anyone for any purpose is not to be regarded by implication or otherwise in any manner licensing, granting rights to permitting such holder or any other person to manufacture, use or sell any product, process or design, patented or otherwise, that may in any way be related to or disclosed by said drawings, specifications, or other data.</p>	MATERIAL	DRAWN R. MAO	DATE 13-Sep-13	<p>TITLE QUICK CRIMP 'N' PANEL JACK FOR RG-55/U, 55A/U, 55B/U, 142/U, 142B/U, 223U</p> <p>SCALE: 3.0:1.0 SHEET 2 OF 2</p> <p>DWG SIZE B REV L</p>	<p>Amphenol RF www.amphenolrf.com</p>
	REFERENCE AND CONFIGURATION LEVEL:	ENGINEER D. ROYCE	DATE 1-19-91		
FINISH	APPROVED S. HSIEH	DATE 29-Nov-13		DRAWING NO. 82-5372	
				ITEM NO. 82-5372	
				PART NO. 82-5372	