

4

3

2

1

THIS DRAWING IS UNPUBLISHED.

RELEASED FOR PUBLICATION

ALL RIGHTS RESERVED.

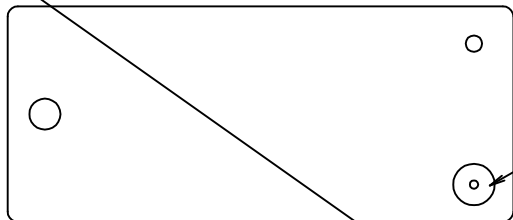
© COPYRIGHT - By TE Connectivity

LOC
HB

DIST
-

REVISIONS

P	LTR	DESCRIPTION	DATE	DWN	APVD
C2		REVISED PER ECO-11-005140	29MAR11	RK	HMR
C4		PN OBSOLETE ECO-12-005305	10-APR-12	YS.H	BH.Y

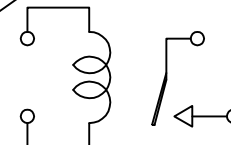


VENT HOLE

PART A

PART B

CONNECTION DIAGRAM



C4

TE

SDT-SS-112DM \varnothing 12V==

TV-5
10A 250V~

10A/80A 250V~
3A/100A 250V~

10(3)A 250V~
10A 24V==



LOT NO.

OEG C

C:MADE IN CHINA

"A"

OBSOLETE

DRILLING DIAGRAM(BOTTOM VIEW)

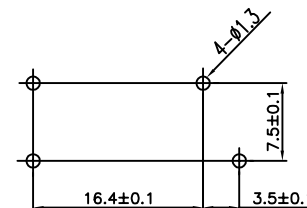
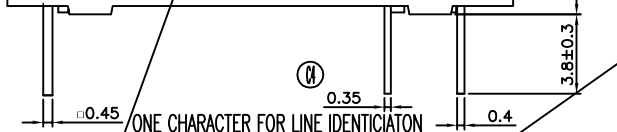
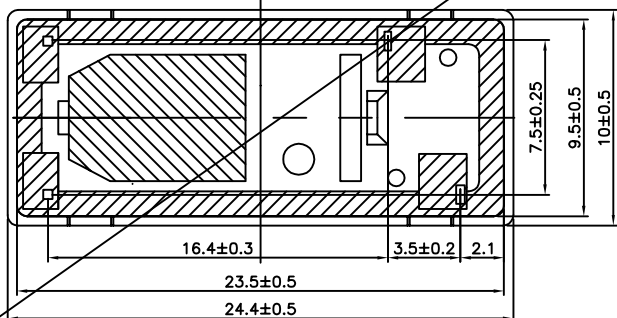


Diagram dimension	Tolerance
max. 1mm	±0.1mm
1 - 3mm	±0.2mm
min. 3mm	±0.3mm



ONE CHARACTER FOR LINE IDENTIFICATION



THIS DRAWING IS A CONTROLLED DOCUMENT.

DWN H.SASAKI	<p>TE Connectivity</p> <p>SDT-SS-DM,000(STANDARD) CUSTOMER DRAWING</p>			
CHK K.OKADO				
APVD A.NAGAI				
PRODUCT SPEC -				
APPLICATION SPEC -	NAME			
WEIGHT -	SIZE A3	CAGE CODE 00779	DRAWING NO C=1461481	RESTRICTED TO -
MATERIAL -	FINISH -	CUSTOMER DRAWING		
		SCALE 4:1	SHEET 1 OF 2	REV C4

4

3

2

1

THIS DRAWING IS UNPUBLISHED.

RELEASED FOR PUBLICATION

-. - .

© COPYRIGHT - By -TE Connectivity

ALL RIGHTS RESERVED.

LOC HB DIST -

REVISIONS

P	LTR	DESCRIPTION	DATE	DWN	APVD
-	-	SEE SHEET 1	-	-	-

1440003-2	SDT-SS-103DM	107-84016	3V	SDT-SS-103DM	h
3-1419126-2	SDT-SS-148DM	107-84016	40V	SDT-SS-148DM	g
2-1419126-5	SDT-SS-124DM	107-84016	24V	SDT-SS-124DM	f
1461481-1	SDT-SS-112DM	107-84016	12V	SDT-SS-112DM	e
1-1419126-8	SDT-SS-112DM	107-84016	12V	SDT-SS-112DM	d
1-1419126-5	SDT-SS-109DM	107-84016	9V	SDT-SS-109DM	c
1-1419126-4	SDT-SS-106DM	107-84016	6V	SDT-SS-106DM	b
1-1419126-2	SDT-SS-105DM	107-84016	5V	SDT-SS-105DM	a
PART NO	DESCRIPTION	PACKING SPEC	PART B	PART A	TYPE

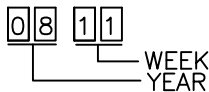
RELAY TYPE

OBSOLETE

MATERIAL	DESCRIPTION	ITEM
EPOXY RESIN	RESIN (CASE)	12
UEW	MAGNETIC WIRE	11
PBT	CASE	10
Cu ALLOY	HINGE SPRING	9
Cu ALLOY	COIL TERMINAL	8
Cu ALLOY	M TERMINAL	7
Cu ALLOY	MOVABLE SPRING	6
PBT	BOBBIN	5
PPS	CARD	4
STEEL	CORE	3
STEEL	ARMATURE	2
STEEL	YOKE	1

NOTES:

- 1.TERMINAL DIMENSIONS BEFORE SOLDER DIP
- 2.LOT NO. SYSTEM AS FOLLOWING:



THIS DRAWING IS A CONTROLLED DOCUMENT.		DWN H.SASAKI		
DIMENSIONS: mm		CHK K.OKADO		
TOLERANCES UNLESS OTHERWISE SPECIFIED:		APVD A.NAGAI	NAME	
0 PLC ± -		PRODUCT SPEC -	SDT-SS-DM,000(STANDARD) CUSTOMER DRAWING	
1 PLC ± -		APPLICATION SPEC -	RESTRICTED TO	
2 PLC ± -		WEIGHT -	SIZE A3	CAGE CODE 00779
3 PLC ± -		FINISH -	DRAWING NO C=1461481	
4 PLC ANGLES ± -			SCALE 4:1	SHEET 2 OF 2
MATERIAL -		CUSTOMER DRAWING		