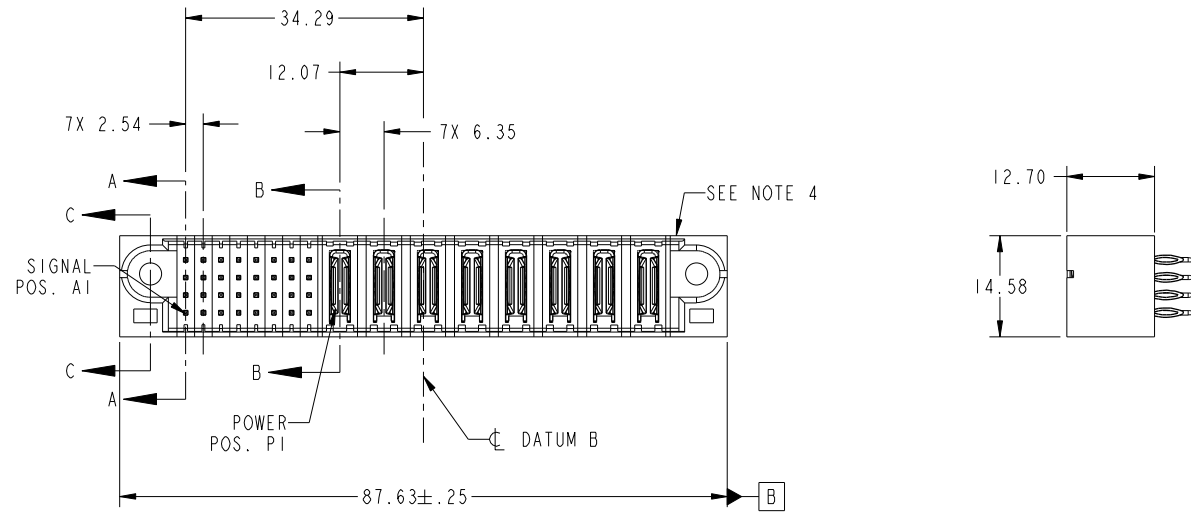


Tous droits strictement reserves. Reproduction ou communication a des tiers interdite sous quelque forme que ce soit sans autorisation écrite du propriétaire. Propriete de c FCI. Droits de reproduction FCI.



All rights strictly reserved. Reproduction or issue to third parties in any form whatever is not permitted without written authority from the proprietor. Property of FCI. Copyright FCI.

PRODUCT NO.	ROWS	SIGNAL								POWER								E2
		E1	1	2	3	4	5	6	7	8	P1	P2	P3	P4	P5	P6	P7	
51710-017... NOTE: 3	D C B A																	



CODE	DIM "M" MATING LENGTH	CONTACT TYPE
PC	[N/A]	POWER
X	[6.86]	SIGNAL

mat'l code				SEE NOTE		tolerances unless otherwise specified		CUSTOMER		FCI	
ltr	ecn no.	dr	date	linear	0.X ± 0.5	projection		COPY		www.fciconnect.com	
A	DG05-0280	CS	08/15/05		0.XX ± 0.25	MIM		title		32S + 8P	
B	DG05-0435	SW	11/03/05	angles	0.XXX ± 0.10	scale		VERTICAL PRESSFIT/SOLDER HEADER		product family	
C	DG08-0273	JW	12/05/08		0° + 2°	1:1		size		PwrBlade	
				dr	STEVEN WANG	08/15/05		dwg no		code	
				enr	STEVEN WANG	08/15/05		51710-017		213	
				chr	VICTOR LIN	08/15/05		sheet		1 of 4	
				appd	JOESPH HSIA	08/15/05		cage code		22526	
sheet index	revision sheet	C	C	C	C	C	C				
		1	2	3	4						

Pro/E

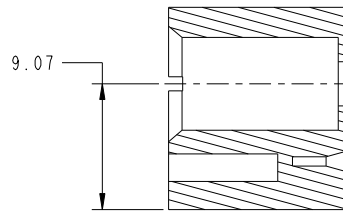
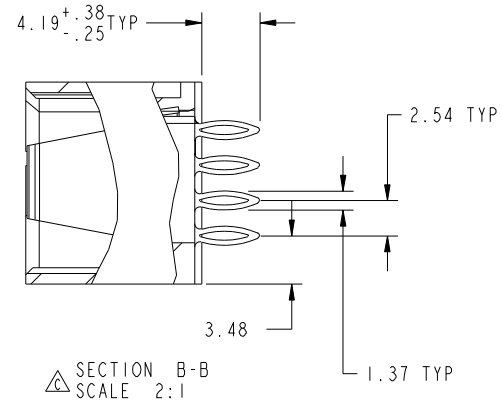
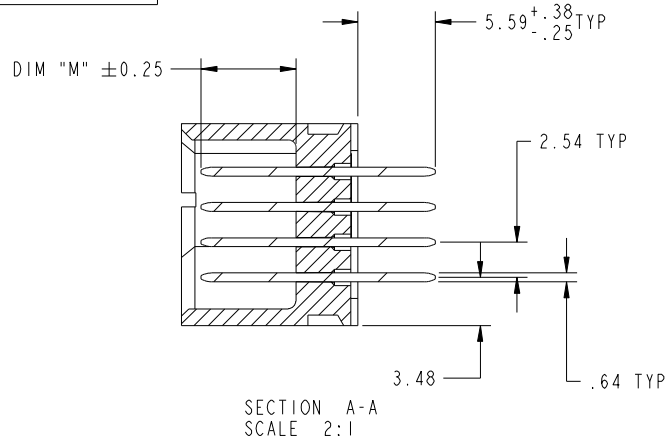
cage code 22526

Tous droits strictement reserves. Reproduction ou communication a des tiers interdite sous quelque forme que ce soit sans autorisation écrite du propriétaire. Propriete de c FCI. Droits de reproduction FCI.



All rights strictly reserved. Reproduction or issue to third parties in any form whatever is not permitted without written authority from the proprietor. Property of FCI. Copyright FCI.

PRODUCT NUMBER
51710-017--
NOTE: 3



mat'l code		SEE NOTE		tolerances unless otherwise specified		CUSTOMER		www.fciconnect.com	
ltr	ecn no.	dr	date	linear	0.X ±0.5	COPY		title	
C					0.XX ±0.25	projection		32S + 8P	
				angles	0.XXX ±0.10			VERTICAL PRESSFIT/SOLDER HEADER	
				dr	0° +2°			product family PwrBlade code	
				enr	STEVEN WANG 08/15/05	scale		213	
				chr	STEVEN WANG 08/15/05	1:1		sheet	
				appd	VICTOR LIN 08/15/05	A		51710-017	
					JOESPH HSIA 08/15/05			2	
sheet index	revision sheet								

cage code 22526

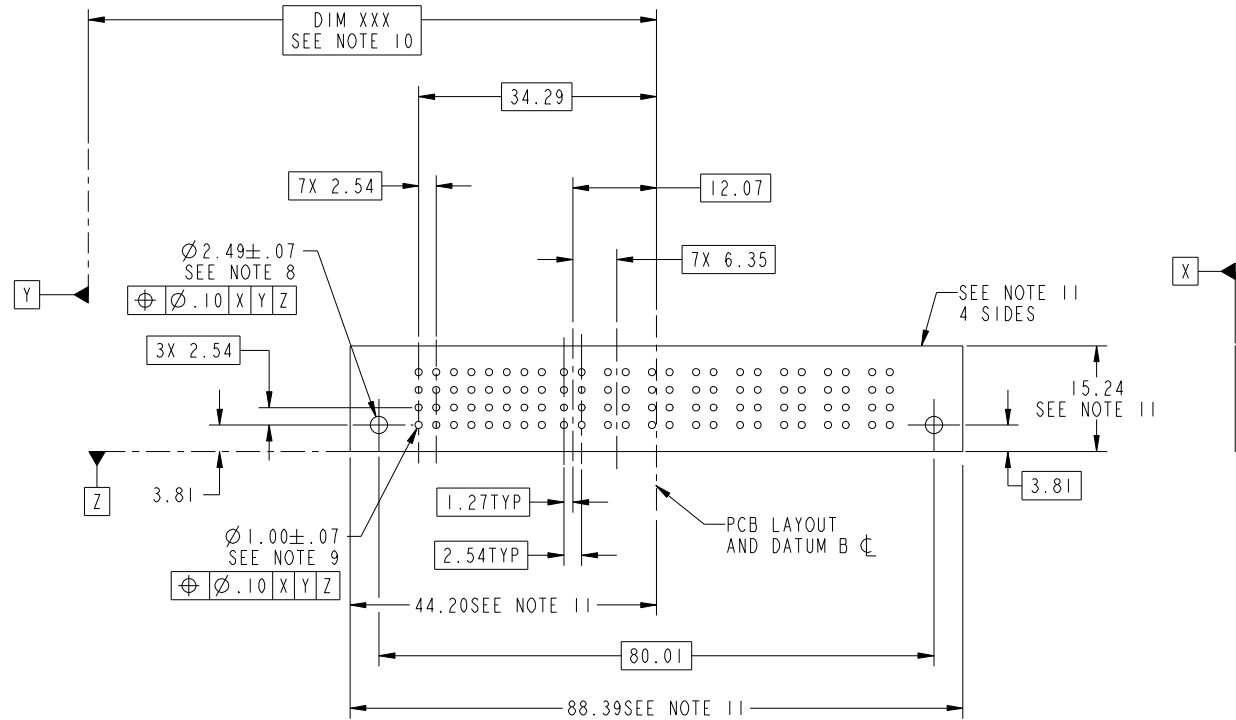
Pro/E

Tous droits strictement reserves. Reproduction ou communication a des tiers interdite sous quelque forme que ce soit sans autorisation écrite du propriétaire. Propriete de c FCI. Droits de reproduction FCI.



All rights strictly reserved. Reproduction or issue to third parties in any form whatever is not permitted without written authority from the proprietor. Property of FCI. Copyright FCI.

PRODUCT NUMBER
51710-017--
NOTE: 3



mat'l code		SEE NOTE		tolerances unless otherwise specified		CUSTOMER		www.fciconnect.com	
ltr	ecn no.	dr	date	linear	0.X ± 0.5	COPY		title	
C					0.XX ± 0.25	projection		32S + 8P	
				angles	0.XXX ± 0.10			VERTICAL PRESSFIT/SOLDER HEADER	
					0° ± 2°			product family PwrBlade code	
		dr	STEVEN WANG	08/15/05		scale		size	
		enr	STEVEN WANG	08/15/05		1:1		dwg no	
		chr	VICTOR LIN	08/15/05				213	
		appd	JOESPH HSIA	08/15/05				sheet	
								3	
sheet index	revision sheet							cage code	
								22526	

Pro/E

cage code 22526

Tous droits strictement reserves. Reproduction ou communication a des tiers interdite sous quelque forme que ce soit sans autorisation écrite du propriétaire. Propriete de c FCI. Droits de reproduction FCI.



All rights strictly reserved. Reproduction or issue to third parties in any form whatever is not permitted without written authority from the proprietor. Property of FCI. Copyright FCI.

PRODUCT NUMBER
51710-017__
NOTE: 3

NOTES:

1. DIMENSIONS AND TOLERANCES ARE IN ACCORDANCE WITH ASME Y14.5M, 1994 UNLESS OTHERWISE SPECIFIED.

CONNECTOR NOTES:

2 HOUSING MATERIAL: UL 94 V-0 GLASS FILLED
HIGH-TEMP THERMOPLASTIC
POWER CONTACT MATERIAL: COPPER ALLOY
SIGNAL PIN MATERIAL: COPPER ALLOY

3. PLATING:
SEE ITEM 1 & 2 & 3 & 4 IN PRINT 10064183 FOR PLATING SPEC OF 51710-017; 51710-017LF
RESPECTIVELY

4 MANUFACTURER'S NAME, P/N, AND DATE CODE TO APPEAR ON THIS SURFACE.

5. PRODUCT SPECIFICATION GS-12-149.
APPLICATION SPECIFICATION BUS-20-067.

6. PACKAGED IN TRAYS.

PCB NOTES:

7. ALL HOLE DIAMETERS ARE FINISHED HOLE SIZE.
8. MOUNTING HOLES, WHERE APPLICABLE, ARE UNPLATED.

9 $\varnothing 1.151 \pm 0.025$ DRILLED HOLES PLATED WITH
0.008 MIN SnPb OVER 0.03
TO 0.08 Cu PLATING TO ACHIEVE
 $\varnothing 1.02 \pm 0.07$ HOLE.

10 "DIM XXX" TO BE DETERMINED BY THE CUSTOMER.

11 CONNECTOR KEEP-OUT ZONE.

12. A \triangle SYMBOL WILL BE NEXT TO ANY DIMENSION, VIEW, OR NOTE WHICH HAS BEEN MODIFIED WITH THE CURRENT DRAWING REVISION.

13. FOR PRESS FIT APPLICATION USE FCI CAM TOOL 430169-XXX.

mat'l code		SEE NOTE		tolerances unless otherwise specified		CUSTOMER		FCI www.fciconnect.com	
ltr	ecn no.	dr	date	linear	0.X ± 0.5	COPY		title	
C					0.XX ± 0.25	projection		32S + 8P	
				angles	0.XXX ± 0.10			VERTICAL PRESSFIT/SOLDER HEADER	
					0° ± 2°			product family PwrBlade code	
				dr	STEVEN WANG 08/15/05	scale		size	
				enr	STEVEN WANG 08/15/05	1:1		dwg no	
				chr	VICTOR LIN 08/15/05	A		51710-017	
				appd	JOESPH HSIA 08/15/05			sheet	
								4	
sheet index	revision sheet								

cage code 22526

Pro/E