

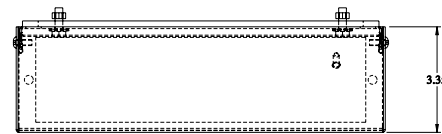
PART No. RH40000GY

for more information visit

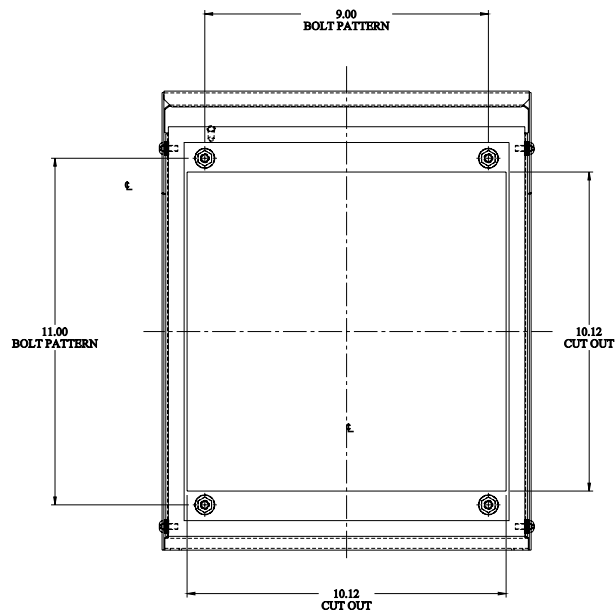
www.hammfg.com

Data subject to change without notice

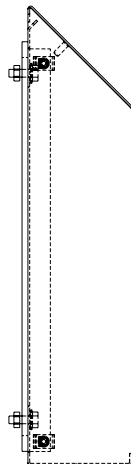
Isometric drawing Not to Scale



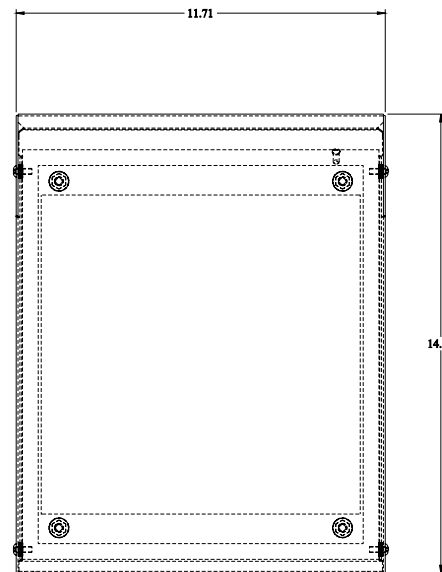
TOP VIEW



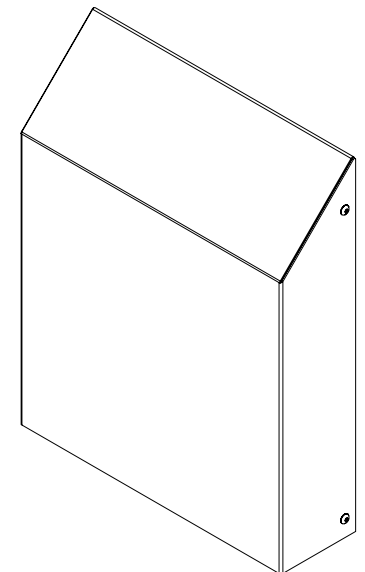
BACK VIEW



SIDE VIEW



FRONT VIEW



ISOMETRIC VIEW