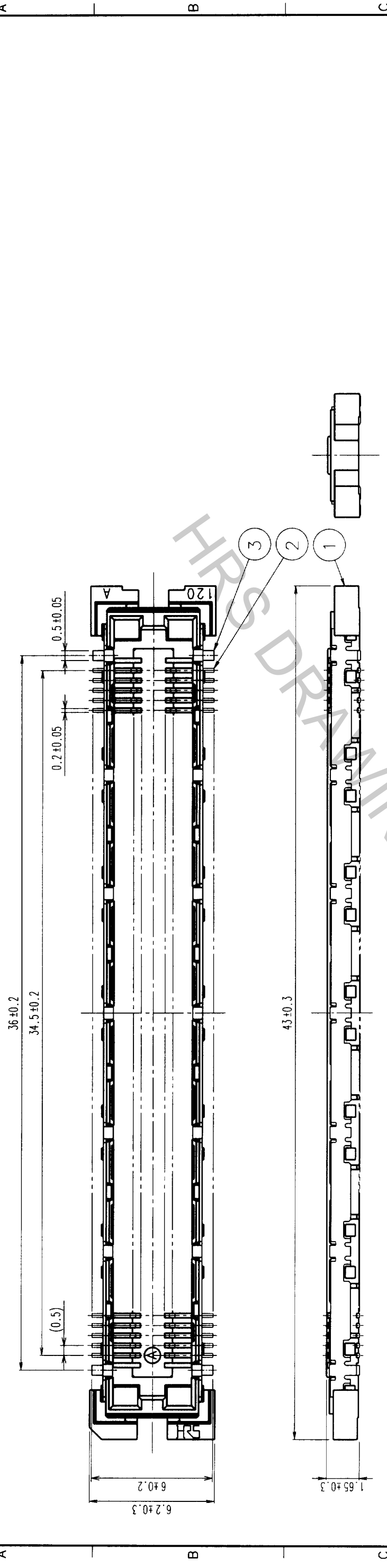
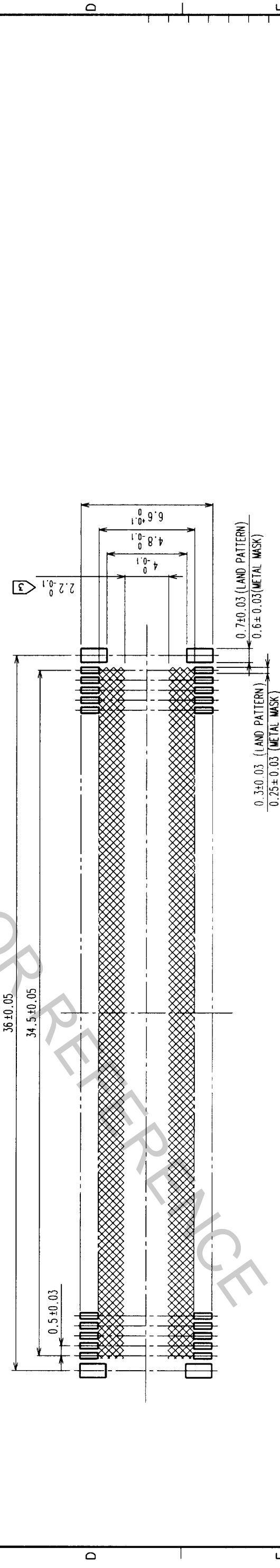


COUNT	DESCRIPTION OF REVISIONS	BY	CHKD	DATE	COUNT	DESCRIPTION OF REVISIONS	BY	CHKD	DATE
△					△				
△					△				
△					△				



RECOMMENDED LAND PATTERN DIMENSION OF PCB



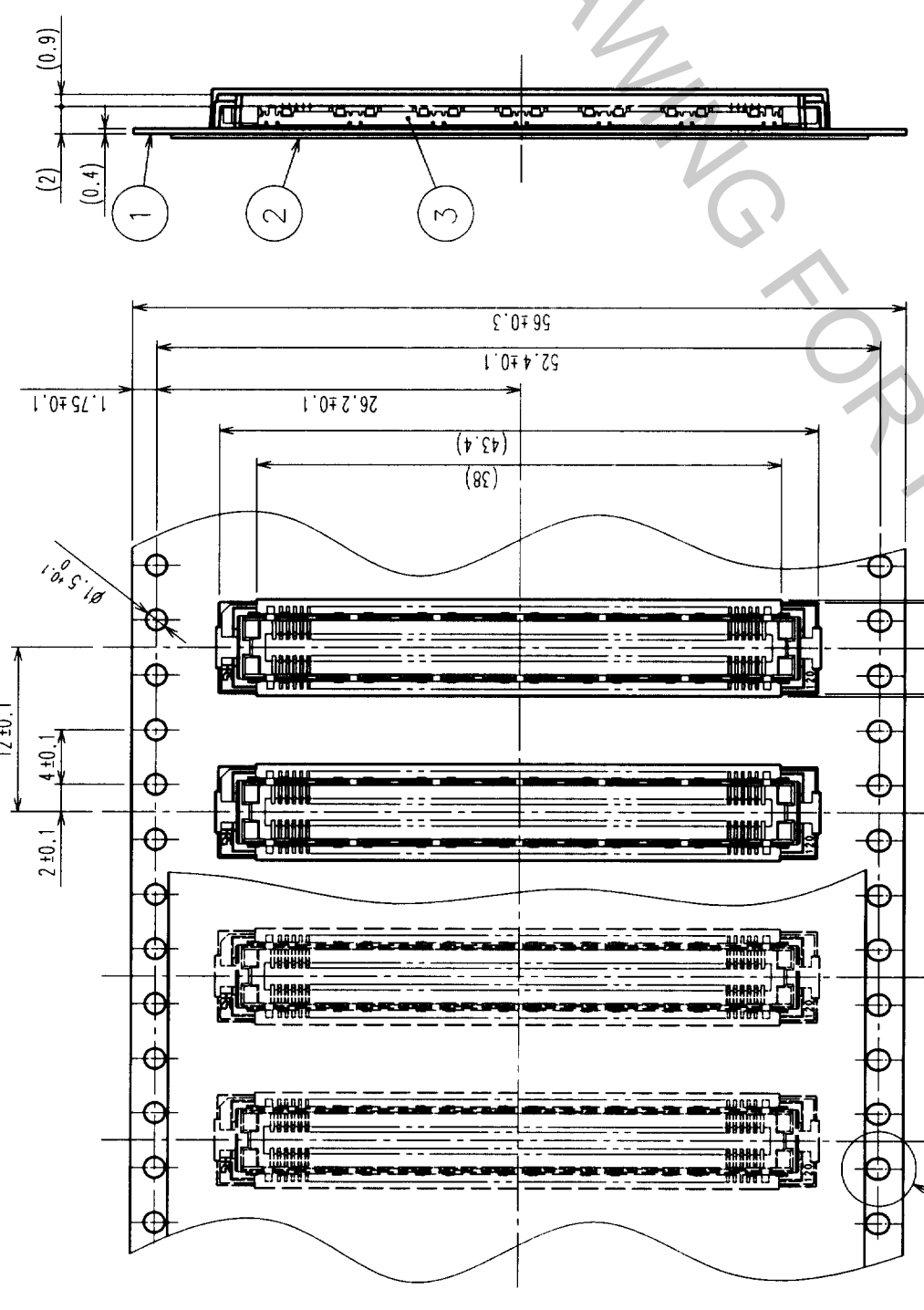
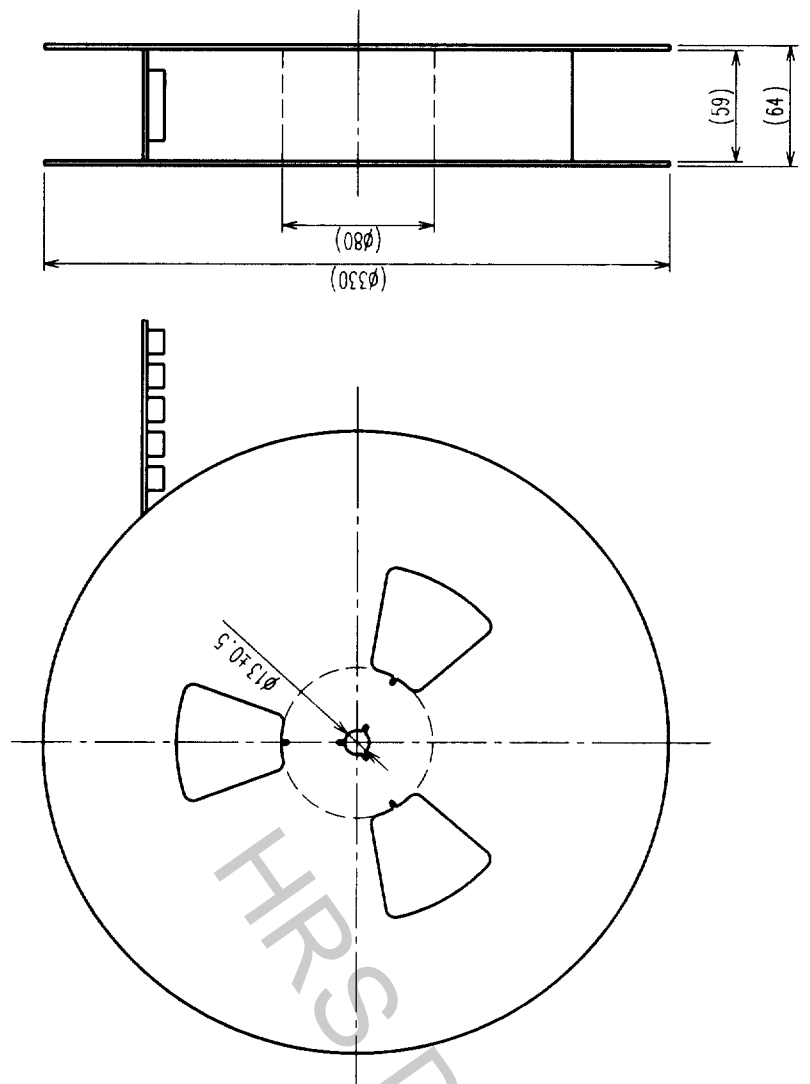
- NOTES
- SMT LEAD-COPLANARITY: 0.1 MAX
  - THIS PRODUCT HAS NO POLARITY TO PATTERN FOR MOUNTING.
  - MAKE SURE WIDTH OF PATTERN IS WITHIN THAT OF LAND .OR LEAD MAY TOUCH PATTERN. (THIS APPLIES TO HATCHED AREA.)
  - TO BE EMBOSSED CARRIER TAPED AS SPECIFIED IN SHEET 2.

2	PHOSPHOR BRONZE	CONTACT AREA: GOLD (0.1μm) OVER NICKEL
1	LCP	LEAD: GOLD FLASH OVER NICKEL
NO.	MATERIAL	FINISH, REMARKS
3	PHOSPHOR BRONZE	TIN PLATED
CODE NO. (OLD)	CL	
CODE NO.	EDC3-152123-01	
SCALE	5 : 1	
UNITS	mm	
DRAWING NO.	FX11LB-140S-SV (21)	
PART NO.		
DESIGNED	M. Takahashi	
CHECKED	M. Saito	
APPROVED	M. Yoshimura	
RELEASED	M. Yoshimura	

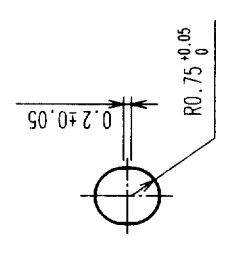
TO	
PCK	

COUNT	DESCRIPTION OF REVISIONS	BY	CHKD	DATE	COUNT	DESCRIPTION OF REVISIONS	BY	CHKD	DATE
△					△				
△					△				
△					△				

REELED DIMENSION (Free)



A (5:1)



- NOTES 1 1 REEL: 1000 CONNECTORS.
- 2 MINIMUM 10 COMPARTMENTS FROM BOTH REEL ENDS REMAIN EMPTY.
- 3 THIS PRODUCT HAS NO POLARITY TO TAPE AND REEL PACKAGING.

2	PET	TOP COVER TAPE	3	(CONNECTOR)
1	PS	EMBOSSED CARRIER TAPE	3	
NO.	MATERIAL	FINISH, REMARKS	NO.	MATERIAL
CODE NO. (OLD) CL		DRAWN M. Nakamura / M. Nakamura 99.10.25		DESIGNED M. Nakamura 99.10.25
DRAWING FOR PACKING		CHECKED M. Nakamura 99.10.26		APPROVED M. Nakamura 99.10.26
SCALE 2 : 1		PART NO. FX11LB-140S-SV(21)		FINISH, REMARKS
UNITS (MM)		DRAWING NO. EDC3-152123-01		
		HIROSE ELECTRIC CO., LTD		
		CODE NO. CL573-0155-8-21		
				2

TO	
PCK	