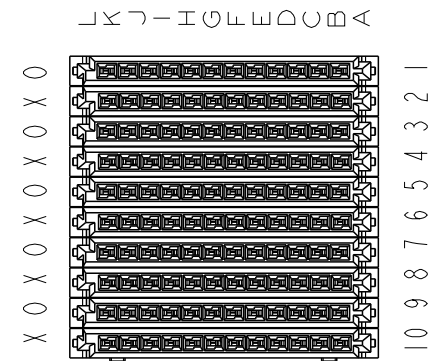
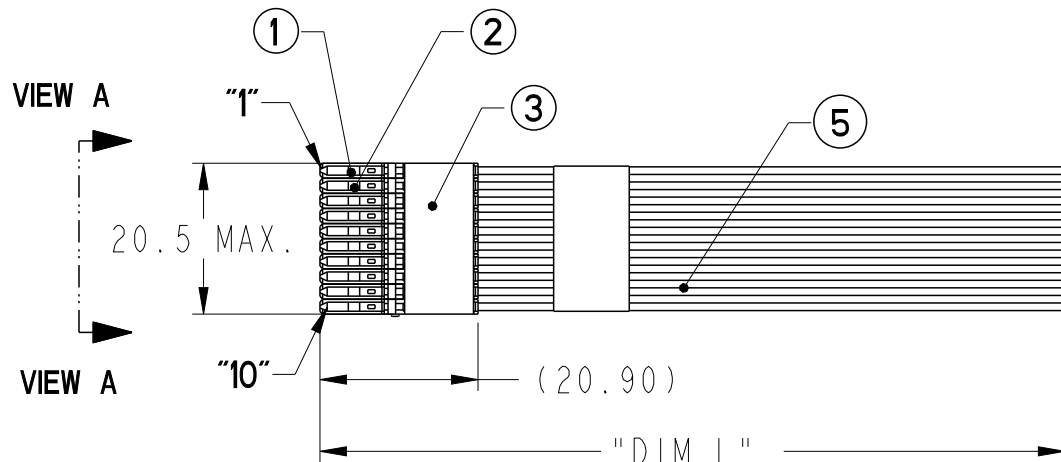


④ SEE NOTE 9



VIEW A
SCALE 2:1

ITEM	FCI P/N	QTY	DESCRIPTION	NOTES
1	10041276-101LF	5	TERMINAL BLOCK ASS'Y "O"	
2	10041276-102LF	5	TERMINAL BLOCK ASS'Y "X"	
3	10041278-210LF	2	STACK FOR 10IMLA	
4	10081646-002	1	LABEL	
5	SEE SHEET 2/3	A/R	CABLE	



Copyright FCI.

dr	Jason Gu	2013/08/16	projection 	MM 	size	A4	scale	1:2		
eng	Jason Gu	2013/08/22			ecn no	ELX-N-15591-1				
chr	-	-			rel level	Released				
appr	Roger Cheng	2013/08/22	product family		-					
		title			BOARD INTERCONNECT SYSTEM	dwg no		10126965	rev	B
www.fci.com		cat. no.			-	Product - Inspection Drw		sheet 1 of 3		

Part Number	DIM L	DESCRIPTION	CABLE P/N	QTY
10126965-001LF	1020mm±15mm	32AWG TEFLON	10126432-001	125.5M

PIN CALL OUT CHART (P1) LEFT

	L	K	J	I	H	G	F	E	D	C	B	A	
O	S	S	S	S	S	S	S	S	S	S	S	S	1
X	S	S	S	S	S	S	S	S	S	S	S	S	2
O	S	S	S	S	S	S	S	S	S	S	S	S	3
X	S	S	S	S	S	S	S	S	S	S	S	S	4
O	S	S	S	S	S	S	S	S	S	S	S	S	5
X	S	S	S	S	S	S	S	S	S	S	S	S	6
O	S	S	S	S	S	S	S	S	S	S	S	S	7
X	S	S	S	S	S	S	S	S	S	S	S	S	8
O	S	S	S	S	S	S	S	S	S	S	S	S	9
X	S	S	S	S	S	S	S	S	S	S	S	S	10

spec ref		dr	Jason Gu	2013/08/16	projection 	MM 	size	A4	scale	1:2
tolerance std	TOLERANCES UNLESS OTHERWISE SPECIFIED	eng	Jason Gu	2013/08/22			ecn no	ELX-N-15591-1		
		chr	-	-			rel level	Released		
surface	✓	appr	Roger Cheng	2013/08/22	product family	-				
linear	0.X	±		title	BOARD INTERCONNECT SYSTEM	dwg no		10126965	rev	B
	0.XX	±								
	0.XXX	±								
angular	0°	±°	www.fci.com	cat. no.	-	Product - Inspection	Drw	sheet 2 of 3		

NOTES:

1. UNLESS OTHERWISE SPECIFIED ASSEMBLED LENGTH TOLERANCE =
 = 1 METER: $\pm 15.0\text{mm}$
 > 1 METER TO 10 METER: $\pm 2\%$ OF "DIM L1"
 > 10 METER: +0 / -4% OF "DIM L1"
2. ALL CABLE ASSEMBLIES SHALL BE TESTED 100% FOR CONTINUITY AS DEFINED IN WIRING LIST.
3. UNLESS OTHERWISE SPECIFIED ALL CABLE ASSEMBLIES SHALL BE 100% HI-POT TESTED BY APPLYING 300V DC FOR MINIMUM OF 10ms, UNLESS ACTIVE COMPONENTS ARE USED IN THE ASSEMBLY.
4. OTHER TESTING PERFORMED AS REQUIRED BY PRODUCT SPECIFICATION: GS-12-344.
5. THIS DIMENSION IS A FINISHED PRODUCT LENGTH.
6. LEAD FREE PRODUCTS MEET EUROPEAN UNION DIRECTIVES AND OTHER COUNTRY REGULATIONS AS DESCRIBED IN GS-22-008.
7. CONNECTOR ASSEMBLIES SHOWN ARE FOR REFERENCE ONLY AND MAY NOT SHOW ALL PART DETAIL. REFERENCE CONNECTOR ASSEMBLY DRAWINGS FOR COMPLETE DETAILS.
8. GLOBAL STANDARDS PER CABLE PACKAGING: GS-14-1093.
9. LABEL:
 MANUFACTURER CODE OR NAME
 PART NUMBER
 REVISION
 DATE CODE WW/YY FORMAT
 COUNTRY OF ORIGIN
 FONT SHALL BE CLEARLY VISABLE AND BLACK IN COLOR
10. A " \triangle " SYMBOL WILL BE NEXT TO ANY DIMENSION, VIEW, OR NOTE WHICH HAS BEEN MODIFIED WITH THE CURRENT DRAWING REVISION. THE CURRENT REVISION WILL BE SHOWN IN THE SYMBOL.



Copyright FCI.

spec ref		dr	Jason Gu	2013/08/16	projection 	MM 	size	A4	scale	1:2
tolerance std	TOLERANCES UNLESS OTHERWISE SPECIFIED	eng	Jason Gu	2013/08/22			ecn no	ELX-N-15591-1		
		chr	-	-				rel level	Released	
surface <input checked="" type="checkbox"/>		appr	Roger Cheng	2013/08/22	product family	-				
linear	0.X	\pm		title	BOARD INTERCONNECT SYSTEM		dwg no		10126965	rev
	0.XX	\pm								
	0.XXX	\pm								
angular	0°	\pm	www.fci.com	cat. no.	-	Product - Inspection Drw	sheet 3 of 3			