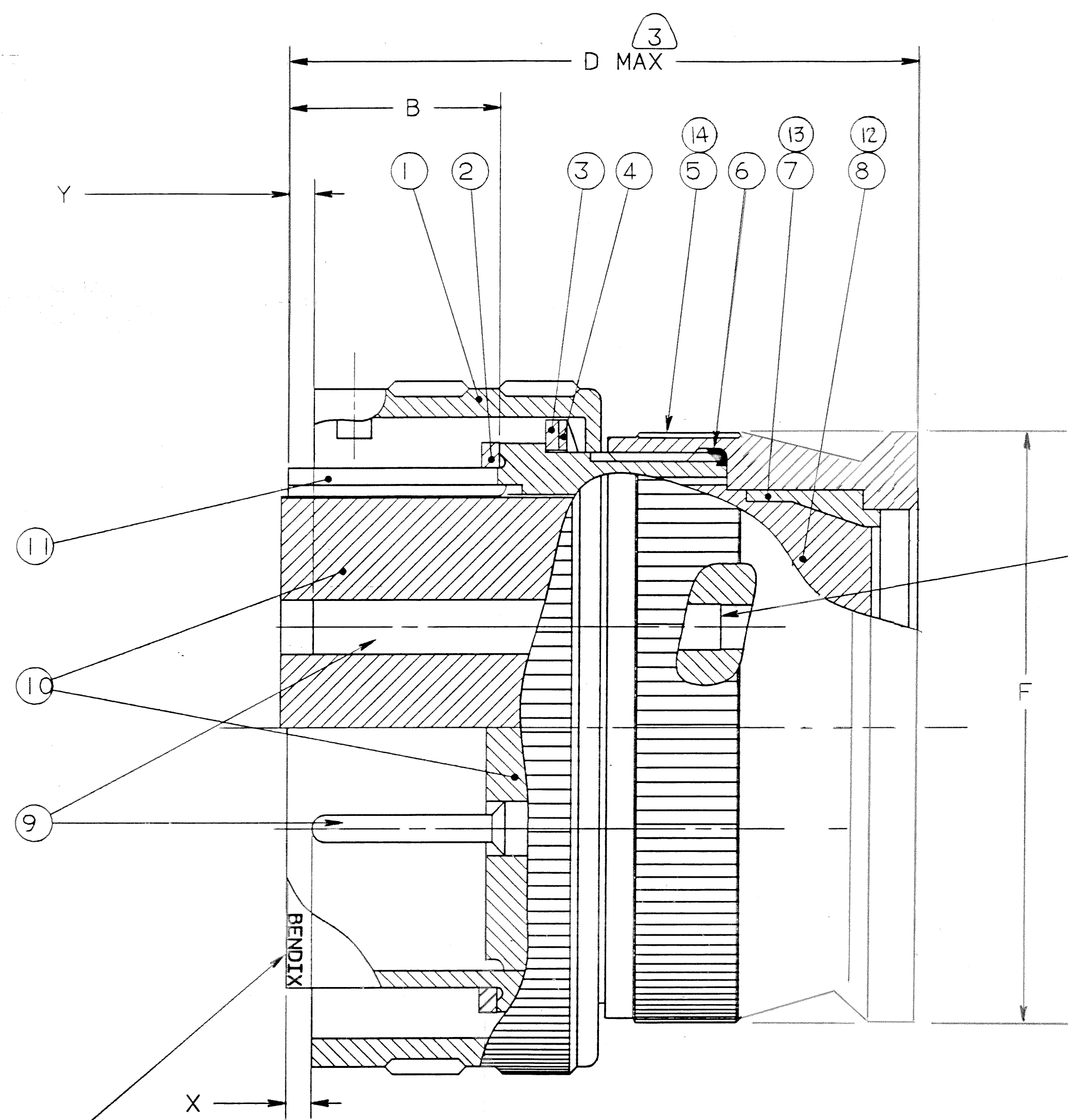
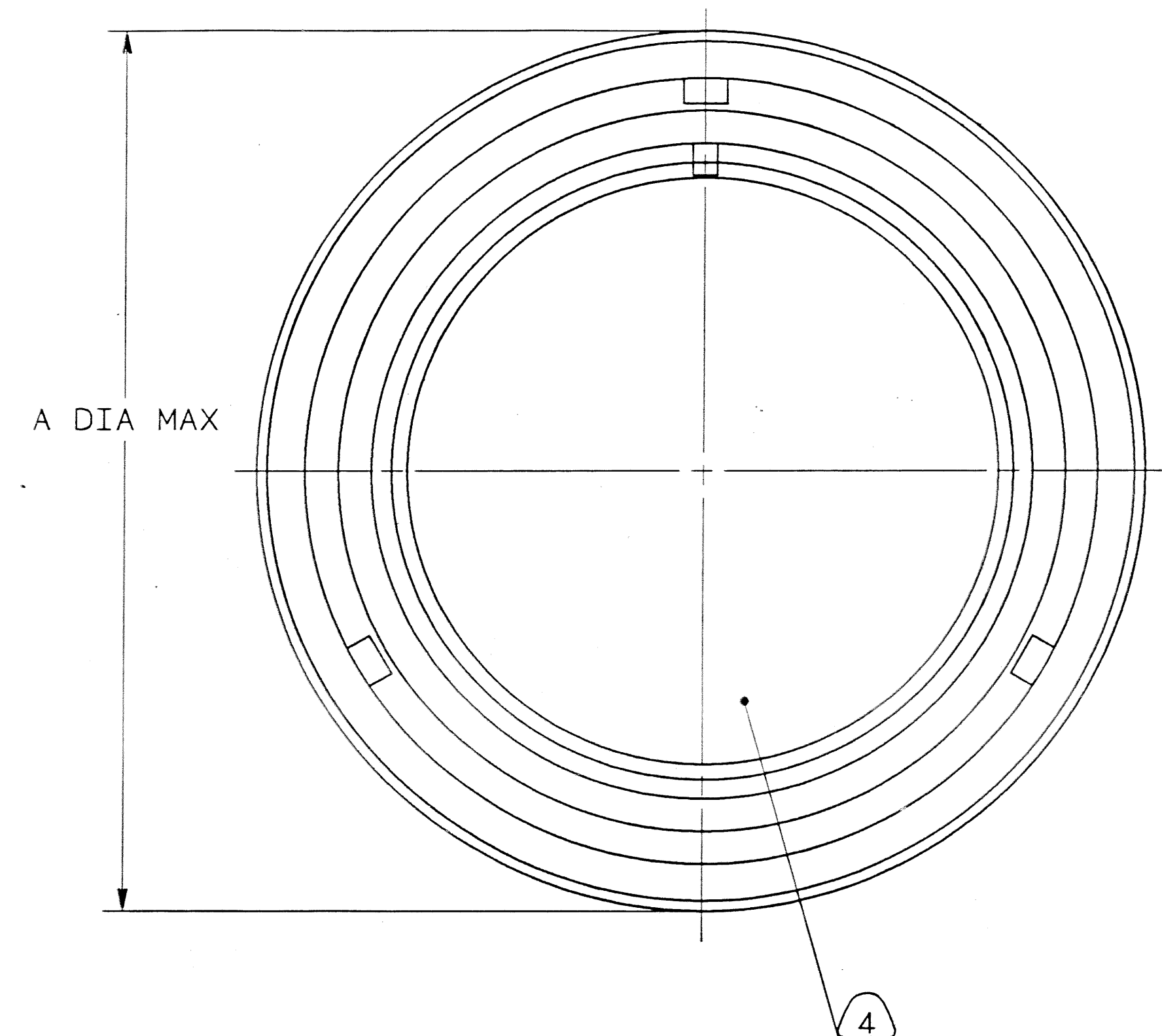


REVISIONS				
ZONE	LTR	DESCRIPTION	DATE	APPROVED
	A	INITIAL RELEASE NUMBER RLSE:		
	B	(CLII) REMOVED PIN SHELL ECN: CNR 7003-353	5/24/93 R. J. ...	
	C	(CLII) WAS "O" NOTE 13, .750" O" WELL DEPTH ECN: 28347	12-21-93 S. VOEER	J. G. ...

CONTACT SIZE	SHELL SIZE	X	Y ±.040
16 SHORT	10SL, 14S, 16S	.087±0.039	.079
16 LONG	16 THRU 40	.260 ⁺ .052 -.041	.102
12	16 THRU 40	.118 ⁺ .039 -.056	.102
4, 8, 0	16 THRU 40	.091±.039	.102



BLACK INK STAMP PER 9-3856-5 "BENDIX", GT NUMBER (SEE COLUMN) & DATE CODE (9-3895) CHARACTERS TO BE .062-.094 HIGH.
EXAMPLE:
BENDIX GTC06RV18-15 9347

14	1	10-581821-XX3	ADAPTER	3,13
13	1	10-581819-XX1	SLEEVE	13
12	1	SEE COLUMN	GROMMET	12,13
11	1	SEE COLUMN	SHELL, FOR PIN INSERT	
10	1	10-748XX-XXX	INSERT	
9	SEE NOTE 10		CONTACT	
8	1	10-607XX-XX	GROMMET	14
7	1	10-564869-XX	SLEEVE, COMPRESSION	14
6	1	10-101379-XX1	GASKET	9
5	1	10-564868-XX3	ADAPTER	3,14
4	1	10-564859-XX	WAVED, WASHER	
3	1	10-564860-XX	WASHER, SKID	
2	1	10-564843-XX1	GASKET	
1	1	10-564856-XX3	COUPLING NUT	

NOTES:
SEE SHEET 2.

THE USE OF THIS DOCUMENT IS UNLIMITED. HOWEVER, DOCUMENTS REFERENCED HEREON MAY CONTAIN LIMITED RIGHTS DATA.

COMPANY ID: 2
CODED/MS/CUST: Y
INTERNAL: N
LOTNO: N
DATE CODE: 9-3895
SEE PRINT: N

UNLESS OTHERWISE SPECIFIED
LINEAR DIMENSIONS ARE IN INCHES.
TOLERANCES: .XXX±.010,
.XX ±.03, .X ±.1, ANGLES ±2'.
OTHER STANDARDS PER 9-3800
AND DDD-D-1000. NOTE REF=

FIND NO.	QTY RECD.	FSCM NO.	PART NUMBER	DESCRIPTION	NOTE REF.
PARTS LIST					
SPECIFICATIONS			SIGNATURES		
MATERIAL SPEC. N/A			DATES		
PROCESS SPEC. SEE NOTE 5			APPROVED: [Signature] 2-2-93		
NEXT ASSEMBLY			AMPHENOL CORPORATION BENDIX CONNECTOR OPERATIONS SIDNEY, N.Y.		
N/A			CONNECTOR, ELECTRICAL, PLUG, REVERSE BAYONET COUPLING, TYPE GTC06RV(1-C) SOLDERLESS		
N/A			SIZE: D 77820 71-581640/659		
N/A			SCALE: NONE		
N/A			REF: 71-581520/539		
N/A			SHEET 1 OF 2		

71-581640/659B

ASSEMBLY NUMBER	SHELL SIZE	GT NUMBER	SHELL	A		D	F		GROMMET
				DIA MAX	±.005		DIA MAX	DIA MAX	
71-581640-()	8S	NOT AVAILABLE							
71-581641-()	10S	NOT AVAILABLE							
71-581642-()	10SL	GTC06RV10SL-()	10-580915-113	.897	.531	1.417	.787		10-581825-()
71-581643-()	12S	NOT AVAILABLE							
71-581644-()	12	NOT AVAILABLE							
71-581645-()	14S	GTC06RV14S-()	10-37266-14	1.150	.531	1.437	.945		10-581827-()
71-581646-()	14	NOT AVAILABLE							
71-581647-()	16S	GTC06RV16S-()	10-37266-16	1.260	.531	1.437	1.024		10-581829-()
71-581648-()	16	GTC06RV16-()	10-37266-17	1.260	.719	1.929	1.024		10-581830-()
71-581649-()	18	GTC06RV18-()	10-37266-18	1.437		1.929	1.161		10-581831-()
71-581650-()	20	GTC06RV20-()	10-37266-20	1.571		1.969	1.299		10-581832-()
71-581651-()	22	GTC06RV22-()	10-37266-22	1.697		1.969	1.417		10-581833-()
71-581652-()	24	GTC06RV24-()	10-37266-24	1.835		2.008	1.575		10-581834-()
71-581653-()	28	GTC06RV28-()	10-37266-28	2.102		2.008	1.811		10-581835-()
71-581654-()	32	GTC06RV32-()	10-37266-32	2.366		2.087	2.028		10-581836-()
71-581655-()	36	GTC06RV36-()	10-37266-36	2.610		2.106	2.283		10-581837-()
71-581656-()	40	GTC06RV40-()	10-37266-40	2.850		2.126	2.539		10-581838-()
71-581657/659		NOT AVAILABLE							

TO COMPLETE, ADD APPLICABLE INSERT ARRANGEMENT SUFFIX PER 9-2437

SEE NOTE 12

WIRE WELL DATA						
CONTACT SIZE	0	4	8	12	16	16M
WELL DIA	.453±.005	.281 +.005 -.004	.179 +.004 -.002	.098 +.004 -.000	.063 +.004 -.000	.063 +.004 -.000
WELL DEPTH	+.031 -.000	.592	.500	.500	.250	.250

7. FOR MATING CONNECTOR ASSEMBLIES, SEE 71-580470/489 & OTHERS.
6. SEE WORK ORDER FOR PERMISSIBLE ADDITIONAL OR ALTERNATE STAMPING.
5. PROCESS SPEC:
ASSY 9-9238
TEST 9-3106-18
9-3856-5, 9-3895, 9-2437, 9-1936
4. INSERTS ARE NOT REMOVABLE.
3. DRAWING ILLUSTRATES FINAL ASSEMBLY. FOR STORAGE & SHIPPING, ADAPTER MUST BE LOOSELY COUPLED. CONTACTS ARE SHIPPED UNASSEMBLED.
2. FOR CONTACT SIZE, SPACING & SERVICE RATING, SEE MIL-STD-1651 OR L-11908-()/L-11948-().
1. UNITS MEET THE APPLICABLE REQUIREMENTS OF MIL-C-5015.
14. INDICATED ITEMS, F/Ns 5, 7 & 8, ARE APPLICABLE TO CONNECTORS CONTAINING CONTACT ARRANGEMENTS OTHER THAN THOSE SPECIFIED IN NOTE 13.
13. INDICATED ITEMS, F/Ns 12, 13 & 14, ARE APPLICABLE TO CONNECTORS CONTAINING CONTACT ARRANGEMENTS WITH SIZES 4 & 8.
12. TO COMPLETE INDICATED GROMMET PART NO. ADD APPLICABLE ARRANGEMENT SUFFIX.
11. PACKAGE PER PRODUCTION PROCESS SHEET.
10. SEE SEPARATE PARTS LIST FOR COMPONENT PART NUMBERS AND QUANTITIES.
9. APPLY A LIGHT FILM OF LUBRICANT 9-1936 TO GASKET.
8. FOR FINAL INSTALLATION, CONTACTS MUST BE ASSEMBLED INTO ALL INSERT HOLES. ALL UNUSED GROMMET HOLES MUST BE FILLED WITH THE APPROPRIATE SIZE SEALING PLUG.

NOTES:

THE USE OF THIS DOCUMENT IS UNLIMITED. HOWEVER, DOCUMENTS REFERENCED HEREON MAY CONTAIN LIMITED RIGHTS DATA.

SIZE	D	FRM NO.	77820	71-581640/659	REV	C
SCALE		WT.		REF	SHEET	2

71-581640/659B