

- NOTES:
- Mechanical:
- Housing material : High Temp. UL94V-0 , Color: Black
 - Contact material: Phosphor Bronze t=0,35mm
 - Contact plating: 6u" Gold on contact area 100~200u" Tin on solder area all over 30~50u" Nickel

- Operating Life: 750 Cycles min.
- PCB Retention Post-solder: 10 LBS min.

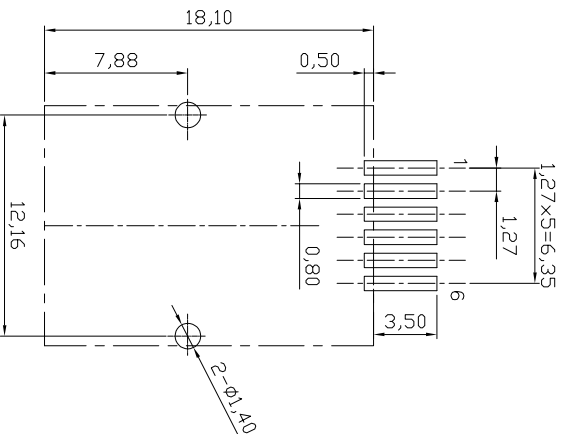
Electrical:

- Voltage Rating: 125VAC.
- Current Rating: 1.5AMP.
- Contact Resistance: 35mΩ max.
- Insulation Resistance: 1000MΩ min. @ 500 VDC
- Dielectric Strength: 1000 VAC 60Hz, 1 min.

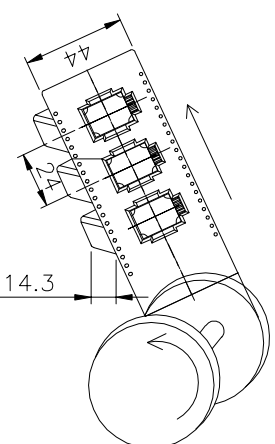
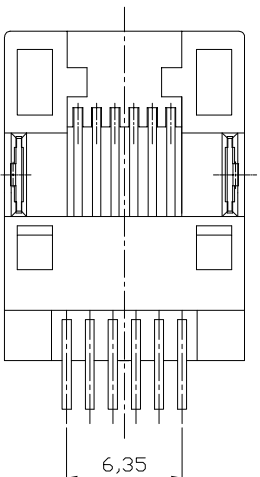
Environmental:

- Storage: -40°C To +85°C
- Operation: -40°C~+85°C
- IR Reflow Soldering Temp: 255°C~265°C(5~10S)

③Packing: 150pcs/Tape reel, 1500pcs/Carton



PCB Layout Component Side Shown



RoHS compliant

Unit:mm



File No.: E345352

Scale	Free			Date	Name	Customer-No.
TOLERANCE				15.07.2009	Dean	ASSMANN WSW-No. A-20041-LP/SMT-C
X.X	±0.20					
X.XX	±0.15	④	Update the contact plating	25.08.2015	Amy	
X.XXX	±0.10	③	Update	27.05.2013	Amy	
DIM	TOL	②	Update drawing	23.08.2011	Jason	
		①	Drawn	15.07.2009	Dean	
Angle	±5°	Id.	Modification	Date	Name	

ASSMANN
components

Drawing-No. ASS 1052A CO rev04

Replace SHEET

1 2 3 4 5 6 7

H G F E D C B A