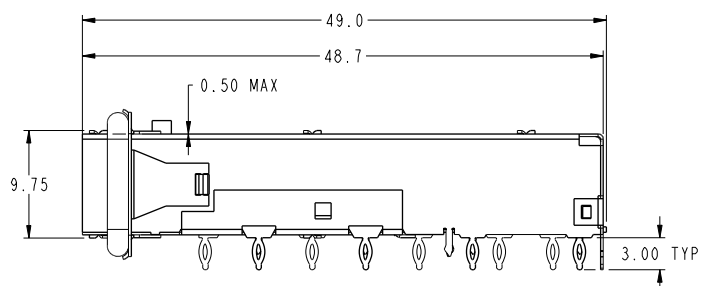
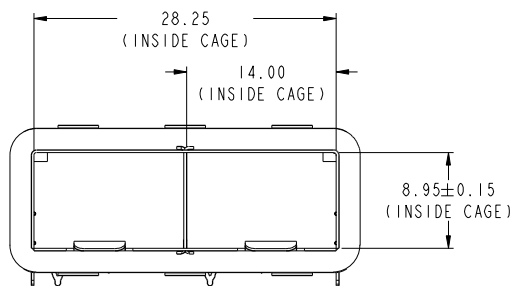
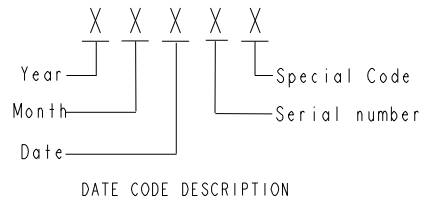
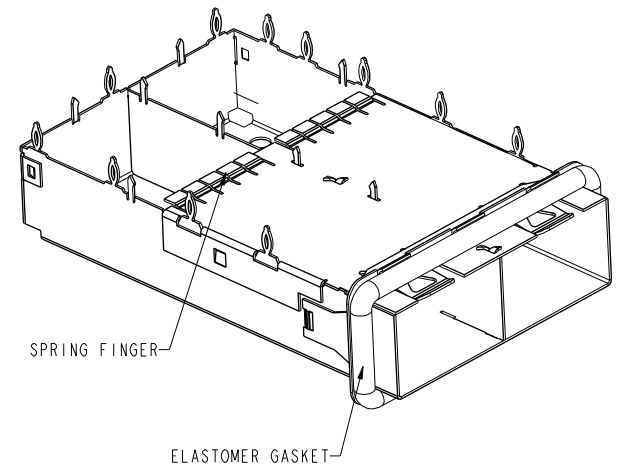
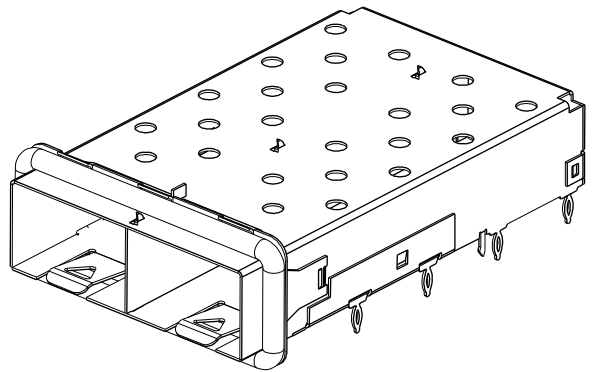
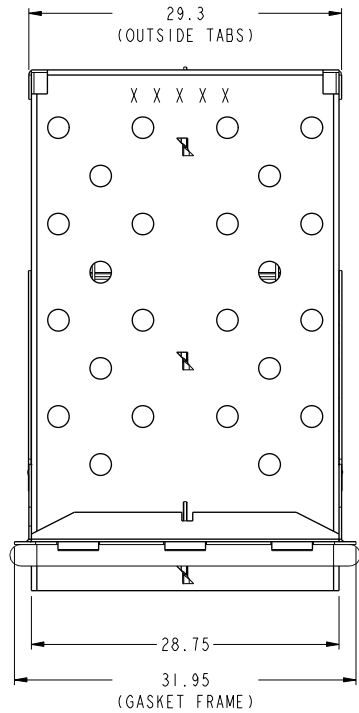


PRODUCT NUMBER	PACKAGING
10099101-011LF	TRAY



NOTES:

- MATERIAL:
CAGE BODY: COPPER ALLOY; PLATING : 1.27µm MIN NICKEL.
EMI GASKET: CONDUCTIVE ELASTOMER.
- PORTS ARE DESIGNED FOR SFP+ TRANSCEIVERS AND ARE COMPATIBLE WITH SFP TRANSCEIVERS.
- CONNECTOR PAD LAYOUT PER SFP+ MSA.
- PRODUCT SPECIFICATION: GS-12-616
- APPLICATION SPECIFICATION: GS-20-125
- PRODUCT MEETS EUROPEAN UNION DIRECTIVES AND OTHER COUNTRY REGULATIONS AS DESCRIBED IN GS-22-008.
- PADS AND VIAS GO TO CHASSIS GROUND.
- SPACING BETWEEN PORTS TO BE 14.25.
- HATCHED AREA DENOTES COMPONENT AND TRACE KEEP-OUT (EXCEPT CHASSIS GROUND).
- THIS AREA DENOTES COMPONENT KEEP-OUT (TRACES ALLOWED).
- PCB THICKNESS VARIATION MUST BE CONSIDERED WHEN DETERMINING BEZEL OPENING, SIZE AND LOCATION
- DATE CODE BE PRINTED ON PROPER SURFACE.

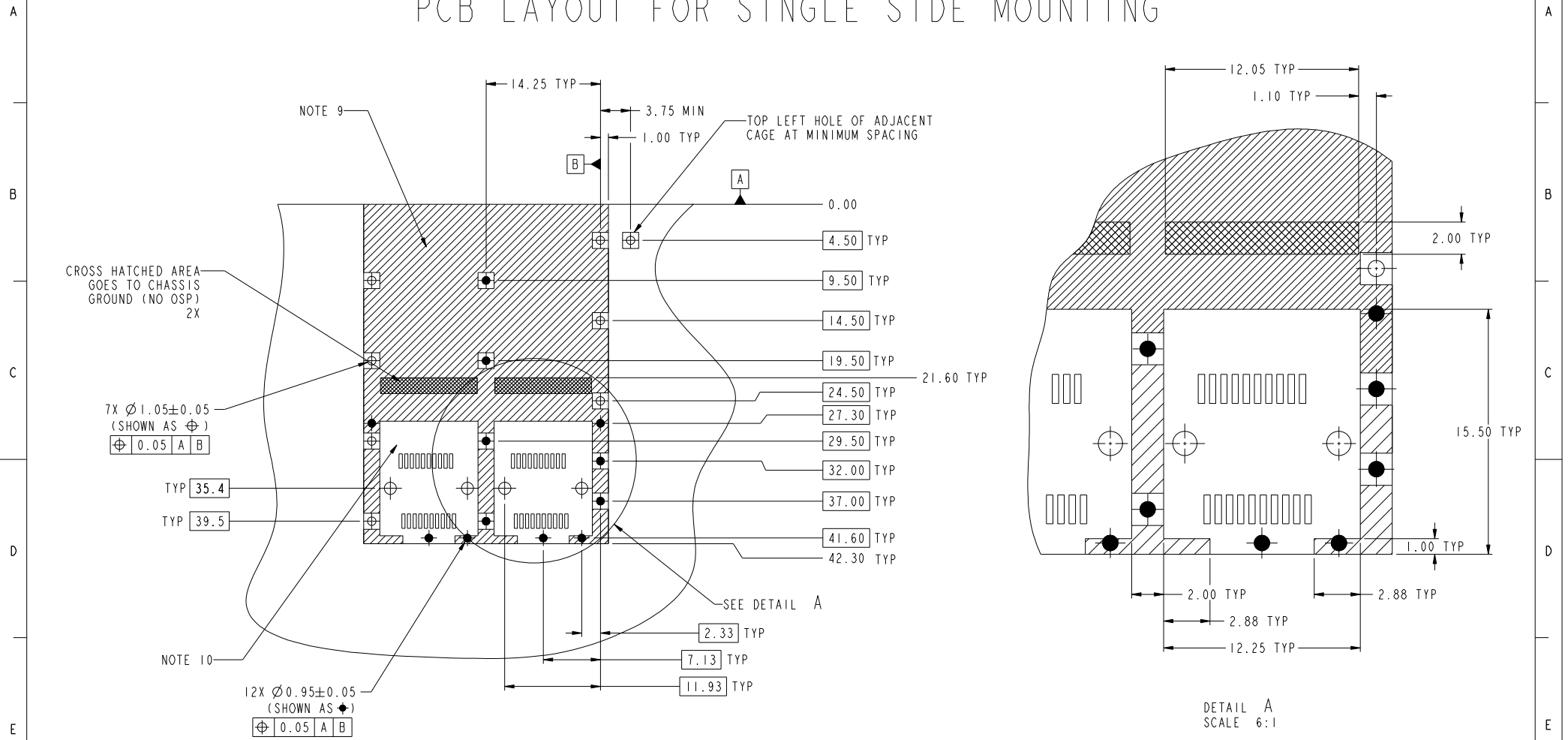
Copyright FCI.

rev	ecr no	dr	date
A	V09-0442	SM	2009-11-02
B	N10-0376	ANDY	2010-11-24
-	-	-	-
-	-	-	-
-	-	-	-

www.fciconnect.com		surface -	tolerance std	projection	MM
		ASME Y14.5	ASME Y14.5		
TOLERANCES UNLESS OTHERWISE SPECIFIED					
Dr	S. MANI	2009-04-24	ANGULAR	LINEAR	size A2
Eng	M. GRAY	2009-05-27	0° ± .*	0.xxx	Scale 3:1
Chr	M. GRAY	2009-05-27	0° ± .*	0.xxx	ECN N10-0376
Appr	M. GRAY	2009-05-27	Product family		RELEASE
FCI				SFP+ 1X2 CAGE	10099101
TOP MOUNT				spec ref	Rev. B
catalog no				CUSTOMER	sheet 1 of 4

PRODUCT NUMBER
10099101-011LF

PCB LAYOUT FOR SINGLE SIDE MOUNTING



DETAIL A
SCALE 6:1

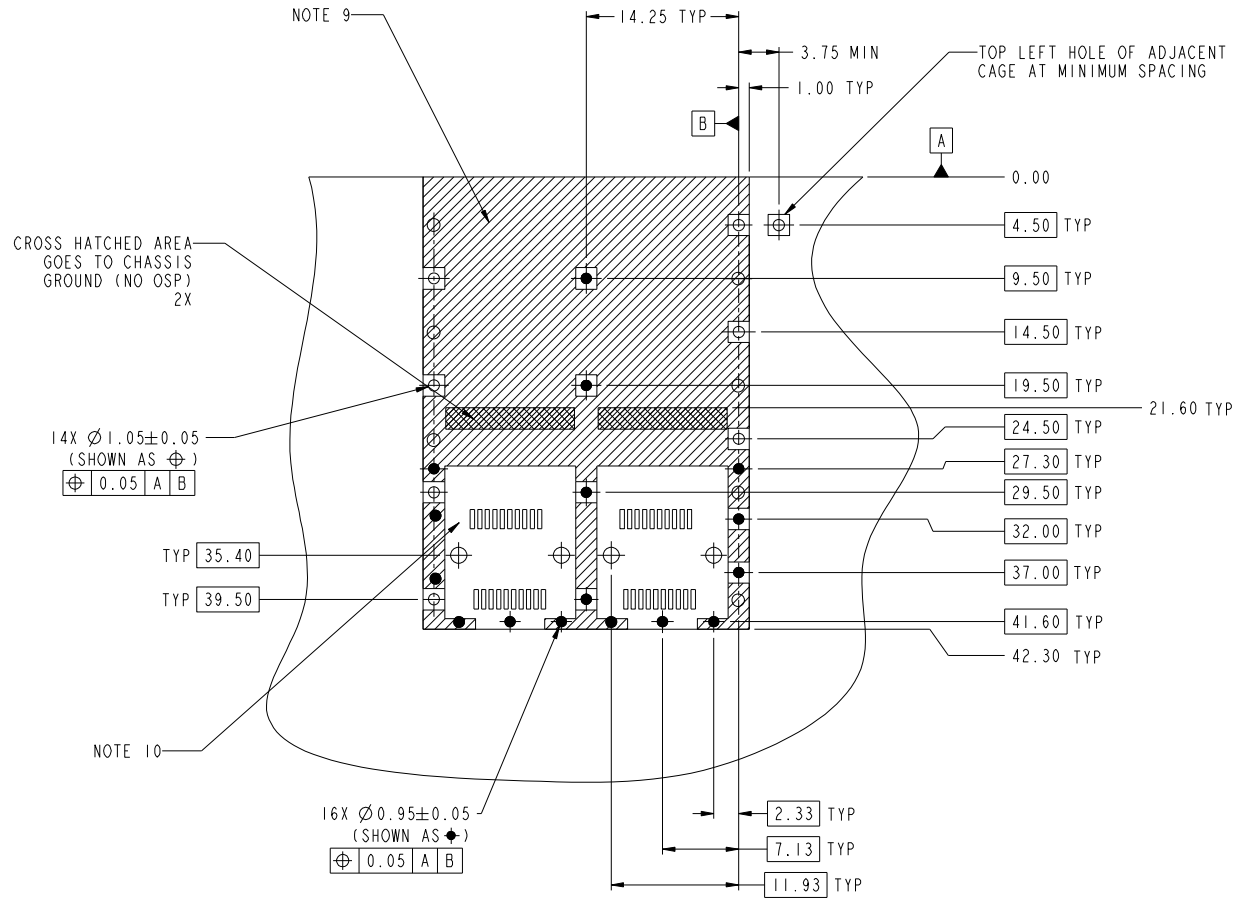
Copyright FCI.



www.fciconnect.com			surface ASME Y14.5	tolerance std ASME Y14.5	projection ASME Y14.5	MM
TOLERANCES UNLESS OTHERWISE SPECIFIED						
Dr	S. MANI	2009-04-24	ANGULAR	0.x	±0.20	size
Eng	M. GRAY	2009-05-27	LINEAR	0.xx	±0.10	A2
Chr	M. GRAY	2009-05-27	0° ±'	0.xxx	±'	ECN
Appr	M. GRAY	2009-05-27	Product family	SFP+	Spec ref	N10-0376
FCI			SFP+ 1X2 CAGE		10099101	Rev.
TOP MOUNT			catalog no		CUSTOMER	sheet 2 of 4

PRODUCT NUMBER
10099101-011LF

PCB LAYOUT FOR BELLY TO BELLY MOUNTING



Copyright FCI.
FCI

www.fciconnect.com			surface ASME Y14.5	tolerance std ASME Y14.5	projection MM	TOLERANCES UNLESS OTHERWISE SPECIFIED	
Dr	S. MANI	2009-04-24	ANGULAR	0.x	±0.20	size	Scale
Eng	M. GRAY	2009-05-27	LINEAR	0.xx	±0.10	A2	1:1
Chr	M. GRAY	2009-05-27	0° ±'	0.xxx	±'	ECN	N10-0376
Appr	M. GRAY	2009-05-27	Product family	SFP+	Spec ref	RELEASE	
FCI			TITLE SFP+ 1X2 CAGE TOP MOUNT		cat no	10099101	Rev. B
					CUSTOMER	sheet 3 of 4	

