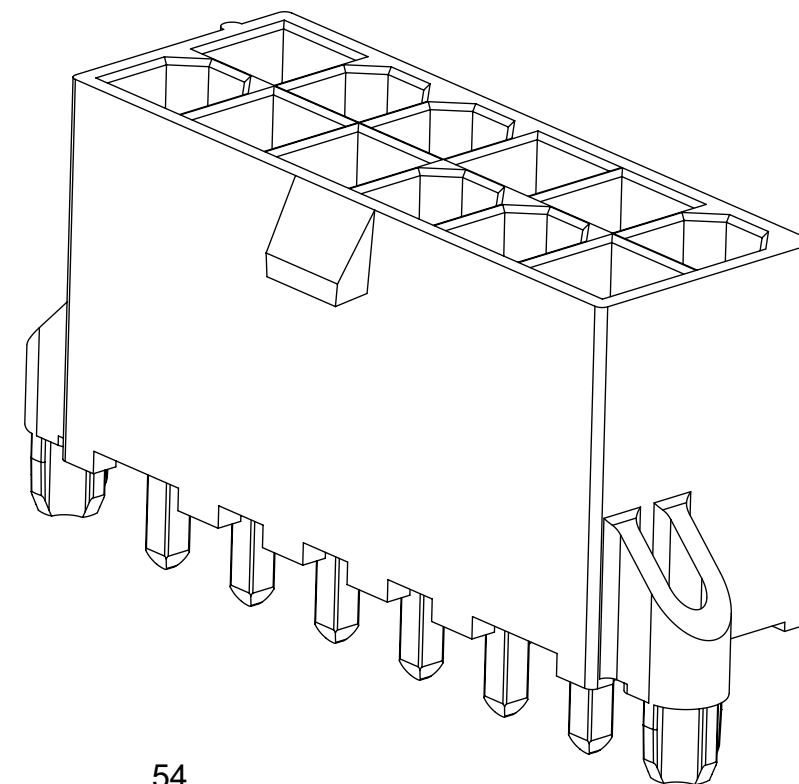
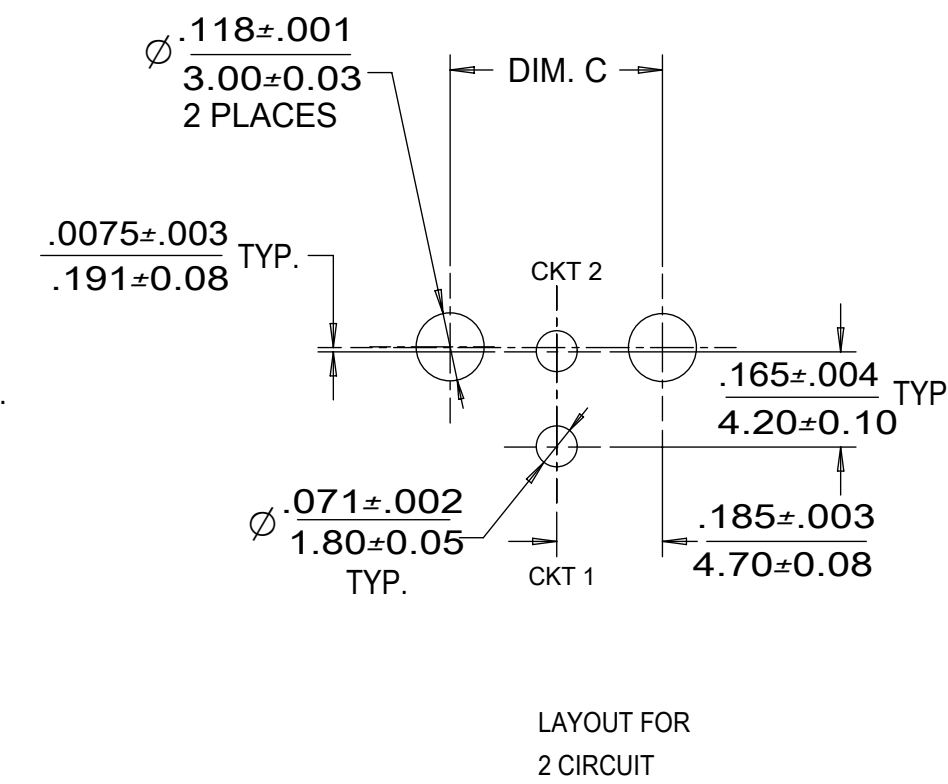
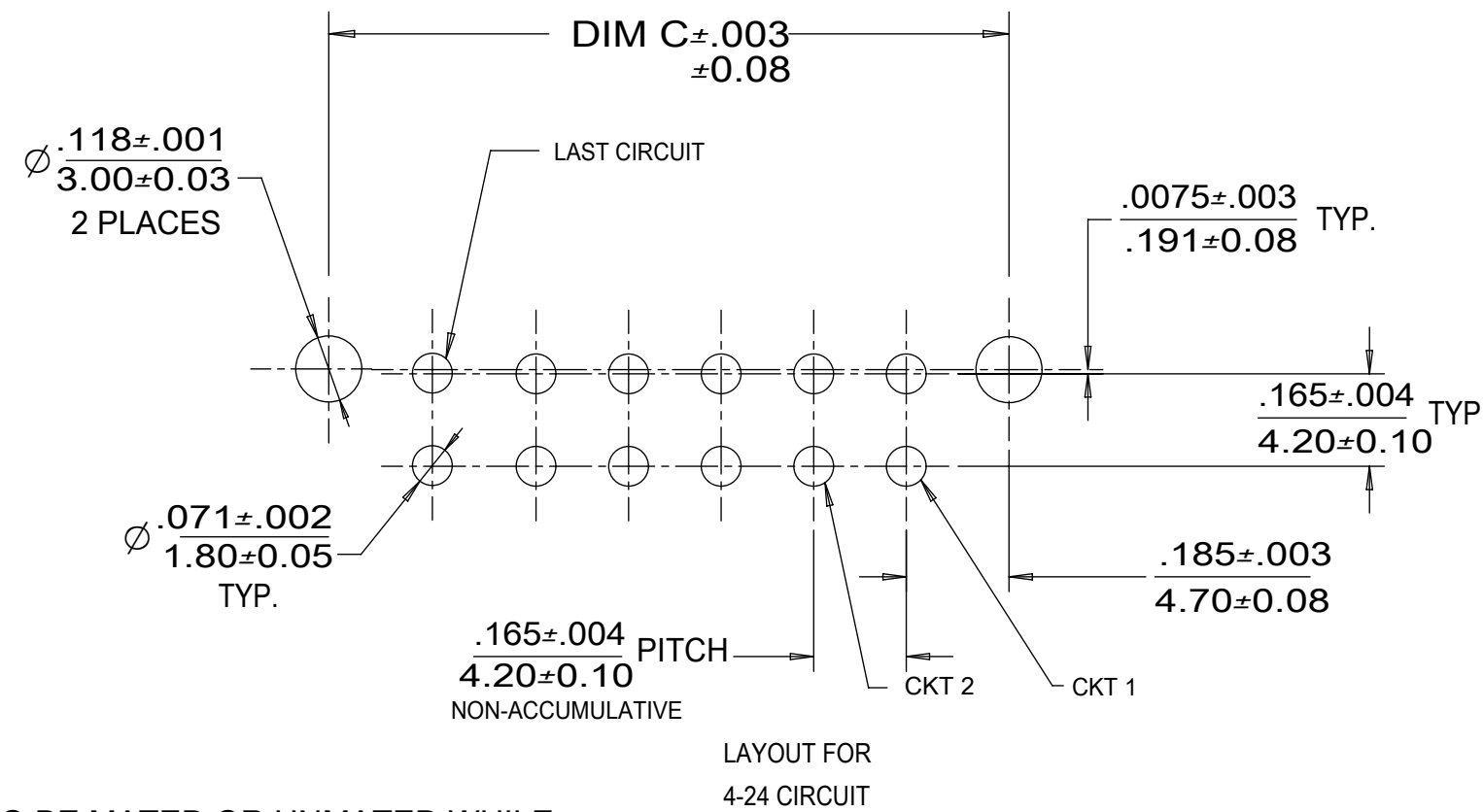
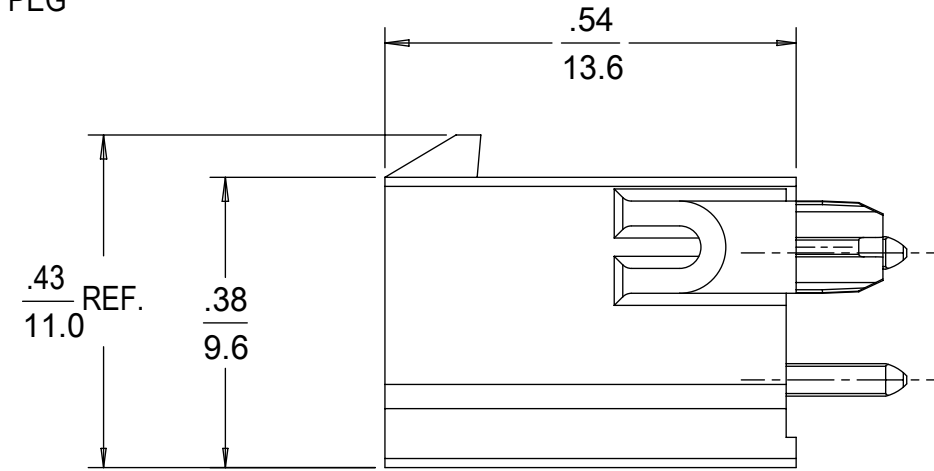
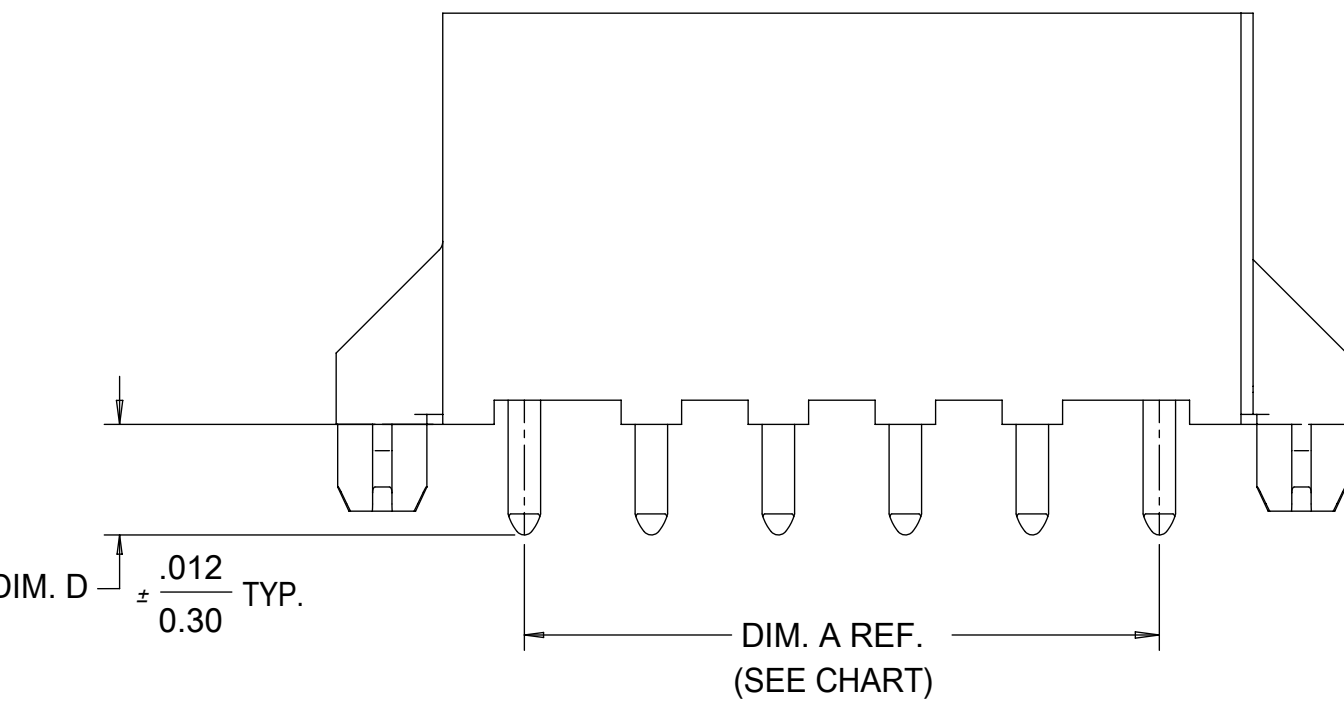
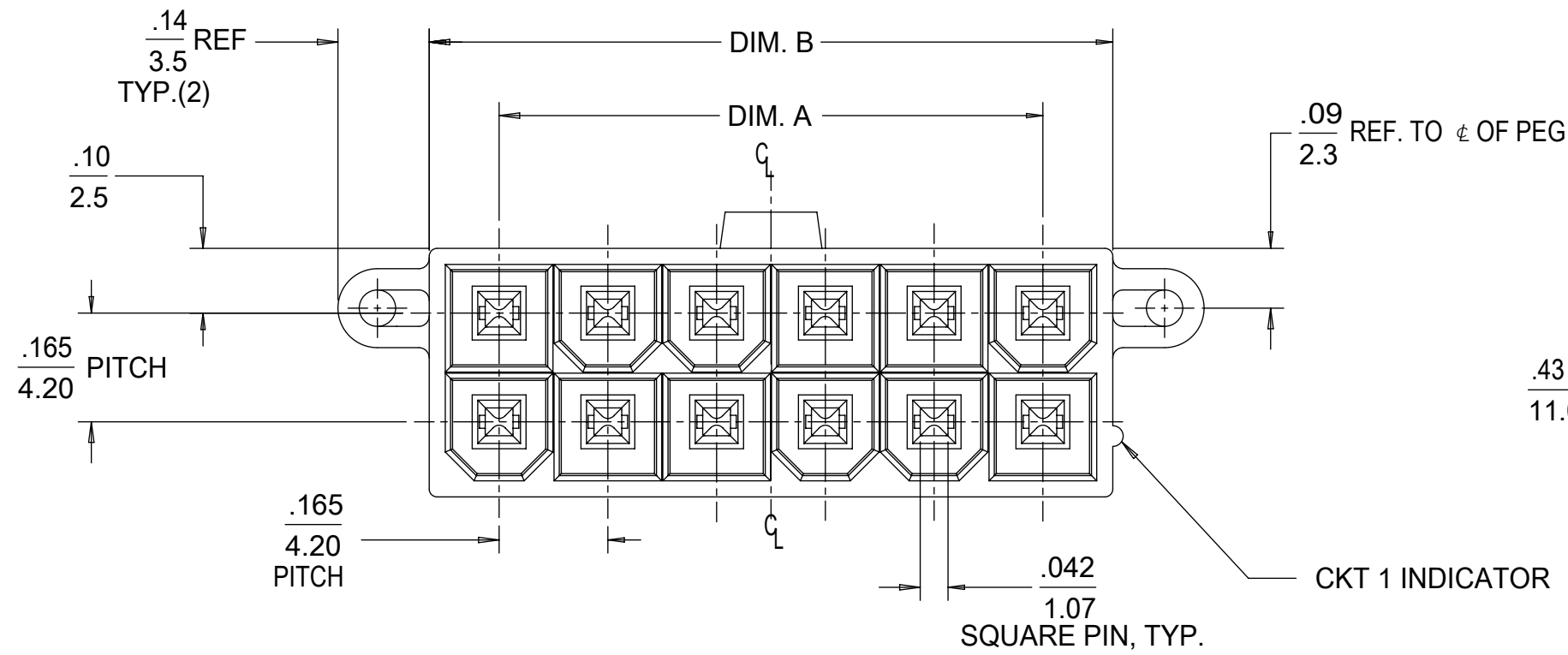


2 CKT SHOWN



ISOMETRIC VIEW
(12 CKT - SHOWN)

CIRCUIT SIZE	DIM. A	DIM. B	DIM. C
02	NA	0.21/5.4	0.37/9.4
04	0.165/4.20	0.38/9.6	0.535/13.60
06	0.331/8.40	0.54/13.8	0.701/17.80
08	0.496/12.60	0.71/18.0	0.866/22.00
10	0.661/16.80	0.87/22.2	1.031/26.20
12	0.827/21.00	1.04/26.4	1.197/30.40
14	0.992/25.20	1.21/30.6	1.362/34.60
16	1.160/29.40	1.37/34.8	1.528/38.80
18	1.323/33.60	1.54/39.0	1.693/43.00
20	1.488/37.80	1.70/43.2	1.858/47.20
22	1.654/42.00	1.87/47.4	2.024/51.40
24	1.819/46.20	2.03/51.6	2.189/55.60



NOTES:

- MATERIALS:
HOUSING - LIQUID CRYSTAL POLYMER (LCP), GLASS FILLED, UL 94, V-0, COLOR: BLACK
TERMINAL - BRASS ALLOY
- TERMINAL PLATING:
TIN= .000100/0.00254 MIN MATTE TIN OVER
.000050/0.00127 MIN NICKEL OVERALL
GOLD= .000030/0.00076 MIN. SELECT GOLD AND
.000100/0.00254 MIN. SELECT MATTE TIN OVER
.000050/0.00127 MIN NICKEL OVERALL
- PRODUCT SPECIFICATION: PS-5556-001 OR PS-45750-001
- PACKAGING SPECIFICATION:
TRAY PACK PER: PK-46207-001
TAPE AND REEL WITH KAPTON TAPE PER: PK-46207-002
TAPE AND REEL WITHOUT KAPTON TAPE PER: 462070003-PK
- PART MATES WITH MINIFIT JR RECEPTACLE SERIES 5557
- DISCOLORIZATION IN THE BANDOLIEN CARRIER AREA OF THE PIN IS INHERENT TO THE PLATING PROCESS AND IS DUE TO THE MASKING EFFECT OF THE CARRIER. THIS DISCOLORIZATION IS A NON-FUNCTIONAL AREA OF THE PIN AND WILL NOT AFFECT THE PERFORMANCE OF THE HEADER ASSEMBLY.

- CONNECTORS ARE NOT TO BE MATED OR UNMATED WHILE CIRCUITS ARE LIVE.
- PARTS ARE NOT DESIGNED FOR CURRENT SHARING.
- THIS PART CONFORMS TO CLASS B REQUIREMENTS OF COSMETIC SPECIFICATION PS-45499-002.
- TEXT ON PART IS FOR REFERENCE ONLY. TEXT AND TEXT LOCATION MAY VARY DEPENDING ON PART NUMBER AND/OR TOOL.
- KAPTON TAPE TO BE APPLIED TO TAPE AND REEL PACKED HEADERS PER PK-46207-002 ONLY. KAPTON TAPE TO BE CENTERED ON PARTS.

RECOMMENDED PCB HOLE LAYOUT COMPONENT SIDE
(SCALE 3:1)

QUALITY SYMBOLS ▽ = 0 ▽ = 0 ▽ = 0 ▽ = 0 ▽ = 0 ▽ = 0 ▽ = 0 ▽ = 0 ▽ = 0 ▽ = 0	THIS DRAWING CONTAINS INFORMATION THAT IS PROPRIETARY TO MOLEX ELECTRONIC TECHNOLOGIES, LLC AND SHOULD NOT BE USED WITHOUT WRITTEN PERMISSION	GENERAL TOLERANCES (UNLESS SPECIFIED)		DIMENSION UNITS IN/MM		SCALE 4:1				
		MM	INCH	DRWN BY DROSCA		DATE 08/07/2006				
ADD TYP PARTS EC NO: 600383 DRWN: DSTEIER CHKD: DSTEIER REV / APPR: FSMITH		4 PLACES ± ± 3 PLACES ± ± 0.005 2 PLACES ± 0.13 ± 0.01 1 PLACES ± 0.25 ± 0 PLACES ± ±		DRWN BY BWIRKUS		DATE 08/07/2006		MINI-FIT RTC HI-TEMP VERTICAL HEADER IN LCP, W/PCB PEGS		
		ANGULAR TOL = 0.5		APPR BY BWIRKUS		DATE 08/07/2006		PRODUCT CUSTOMER DRAWING		
		DRAFT WHERE APPLICABLE MUST REMAIN WITHIN DIMENSIONS		DRAWING SIZE C		THIRD ANGLE PROJECTION		SERIES MATERIAL NUMBER CUSTOMER 46207 SEE CHART GENERAL MARKET		
RELEASE STATUS P1 RELEASE DATE 2018/06/12 20:49:37								DOCUMENT NUMBER SD-46207-001 DOC TYPE PSD DOC PART 000 SHEET NUMBER 1 OF 2		

GOLD PLATING						
CIRCUIT SIZE	TAPE & REEL PACK W/ KAPTON TAPE MAT'L NUMBER	TRAY PACKED MATERIAL NUMBER	DIM. D	PCB THICKNESS	TAPE & REEL PACK WITHOUT KAPTON TAPE - MAT'L NO.	
02	462077002	462075002	0.144/3.66	0.062	462077032	
04	462077004	462075004	0.144/3.66	0.062	462077034	
06	462077006	462075006	0.144/3.66	0.062	462077036	
08	462077008	462075008	0.144/3.66	0.062	462077038	
10	462077010	462075010	0.144/3.66	0.062	462077040	
12	462077012	462075012	0.144/3.66	0.062	462077042	
14	462077014	* 462075014	0.144/3.66	0.062	462077044	*
16	462077016	* 462075016	0.144/3.66	0.062	462077046	*
18	462077018	* 462075018	0.144/3.66	0.062	462077048	*
20	462077020	* 462075020	0.144/3.66	0.062	462077050	*
22	462077022	* 462075022	0.144/3.66	0.062	462077052	*
24	462077024	* 462075024	0.144/3.66	0.062	462077054	*
02		462075102	* 0.176/4.46	0.093		
04		462075104	* 0.176/4.46	0.093		
06		462075106	* 0.176/4.46	0.093		
08		462075108	* 0.176/4.46	0.093		
10		462075110	* 0.176/4.46	0.093		
12		462075112	* 0.176/4.46	0.093		
14		462075114	* 0.176/4.46	0.093		
16		462075116	* 0.176/4.46	0.093		
18		462075118	* 0.176/4.46	0.093		
20		462075120	* 0.176/4.46	0.093		
22		462075122	* 0.176/4.46	0.093		
24		462075124	* 0.176/4.46	0.093		
02		462075202	* 0.207/5.26	0.125		
04		462075204	* 0.207/5.26	0.125		
06		462075206	* 0.207/5.26	0.125		
08		462075208	* 0.207/5.26	0.125		
10		462075210	* 0.207/5.26	0.125		
12		462075212	* 0.207/5.26	0.125		
14		462075214	* 0.207/5.26	0.125		
16		462075216	* 0.207/5.26	0.125		
18		462075218	* 0.207/5.26	0.125		
20		462075220	* 0.207/5.26	0.125		
22		462075222	* 0.207/5.26	0.125		
24		462075224	* 0.207/5.26	0.125		

* DESIGNATES PART NOT RELEASED.
CONTACT FACTORY FOR AVAILABILITY.

* DESIGNATES PART NOT RELEASED
CONTACT FACTORY FOR AVAILABILITY.

TIN PLATING						
TAPE & REEL PACK WITHOUT KAPTON TAPE - MAT'L NO.	CIRCUIT SIZE	TAPE & REEL PACK W/ KAPTON TAPE MAT'L NUMBER	TRAY PACKED MATERIAL NUMBER	DIM. D	PCB THICKNESS	
462073032	02	462073002	462070002	0.144/3.66	0.062	
462073034	04	462073004	462070004	0.144/3.66	0.062	
462073036	06	462073006	462070006	0.144/3.66	0.062	
462073038	08	462073008	462070008	0.144/3.66	0.062	
462073040	10	462073010	462070010	0.144/3.66	0.062	
462073042	12	462073012	462070012	0.144/3.66	0.062	
462073044	* 14	462073014	* 462070014	0.144/3.66	0.062	
462073046	* 16	462073016	* 462070016	0.144/3.66	0.062	
462073048	* 18	462073018	* 462070018	0.144/3.66	0.062	
462073050	* 20	462073020	* 462070020	0.144/3.66	0.062	
462073052	* 22	462073022	* 462070022	0.144/3.66	0.062	
462073054	* 24	462073024	* 462070024	0.144/3.66	0.062	
	02		462070102	0.176/4.46	0.093	
	04		462070104	0.176/4.46	0.093	
	06		462070106	0.176/4.46	0.093	
	08		462070108	0.176/4.46	0.093	
	10		462070110	0.176/4.46	0.093	
	12		462070112	0.176/4.46	0.093	
	14		462070114	* 0.176/4.46	0.093	
	16		462070116	* 0.176/4.46	0.093	
	18		462070118	* 0.176/4.46	0.093	
	20		462070120	* 0.176/4.46	0.093	
	22		462070122	* 0.176/4.46	0.093	
	24		462070124	0.176/4.46	0.093	
	02		462070202	0.207/5.26	0.125	
	04		462070204	0.207/5.26	0.125	
	06		462070206	0.207/5.26	0.125	
	08		462070208	0.207/5.26	0.125	
	10		462070210	0.207/5.26	0.125	
	12		462070212	0.207/5.26	0.125	
	14		462070214	* 0.207/5.26	0.125	
	16		462070216	* 0.207/5.26	0.125	
	18		462070218	* 0.207/5.26	0.125	
	20		462070220	* 0.207/5.26	0.125	
	22		462070222	* 0.207/5.26	0.125	
	24		462070224	0.207/5.26	0.125	

* DESIGNATES PART NOT RELEASED
CONTACT FACTORY FOR AVAILABILITY.

QUALITY SYMBOLS 	THIS DRAWING CONTAINS INFORMATION THAT IS PROPRIETARY TO MOLEX ELECTRONIC TECHNOLOGIES, LLC AND SHOULD NOT BE USED WITHOUT WRITTEN PERMISSION																												
	ADD T/R PARTS EC NO: 600383 DRWN: DSTEIER CHKD: DSTEIER REV: APPR: FSMITH	GENERAL TOLERANCES (UNLESS SPECIFIED) <table border="1"> <tr><th></th><th>MM</th><th>INCH</th></tr> <tr><td>4 PLACES</td><td>±</td><td>±</td></tr> <tr><td>3 PLACES</td><td>±</td><td>± 0.005</td></tr> <tr><td>2 PLACES</td><td>± 0.13</td><td>± 0.01</td></tr> <tr><td>1 PLACES</td><td>± 0.25</td><td>±</td></tr> <tr><td>0 PLACES</td><td>±</td><td>±</td></tr> </table>					MM	INCH	4 PLACES	±	±	3 PLACES	±	± 0.005	2 PLACES	± 0.13	± 0.01	1 PLACES	± 0.25	±	0 PLACES	±	±	DIMENSION UNITS IN/MM		SCALE 4:1			
			MM	INCH																									
		4 PLACES	±	±																									
		3 PLACES	±	± 0.005																									
	2 PLACES	± 0.13	± 0.01																										
	1 PLACES	± 0.25	±																										
	0 PLACES	±	±																										
	DRWN BY DROSCA		DATE 08/07/2006		CHK'D BY BWIRKUS		DATE 08/07/2006																						
	APPR BY BWIRKUS		DATE 08/07/2006		DRAWING SIZE C		THIRD ANGLE PROJECTION																						
PRODUCT CUSTOMER DRAWING MINI-FIT RTC HI-TEMP VERTICAL HEADER IN LCP, W/PCB PEGS																													
SERIES 46207		MATERIAL NUMBER SEE CHART				CUSTOMER GENERAL MARKET																							
DOCUMENT NUMBER SD-46207-001						DOC TYPE PSD		DOC PART 000		SHEET NUMBER 2 OF 2																			