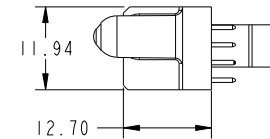
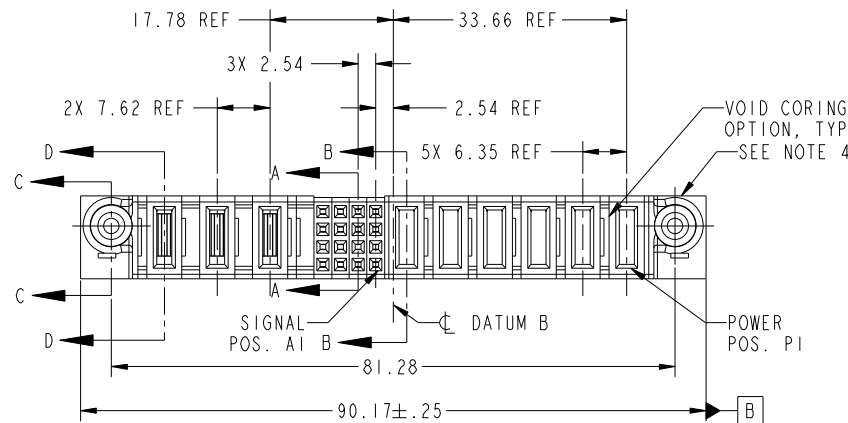


Tous droits strictement reserves. Reproduction ou communication a des tiers interdite sous quelque forme que ce soit sans autorisation écrite du propriétaire. Propriete de c FCI. Droits de reproduction FCI.



All rights strictly reserved. Reproduction or issue to third parties in any form whatever is not permitted without written authority from the proprietor. Property of FCI. Copyright FCI.

PRODUCT NO.	ROWS	POWER			SIGNAL			POWER								
		E2	P9	P8	P7	4	3	2	1	P6	P5	P4	P3	P2	P1	E1
51940-224- NOTE: 3	D C B A		PG	PG	PG	E	E	E	E	PA	PA	PA	PA	PA	PA	



CODE	DIM "M" MATING LENGTH	CONTACT TYPE
E	[N/A]	SIGNAL
PG	[1.07]	POWER
PA	[1.07]	POWER

mat'l code				SEE NOTES		tolerances unless otherwise specified		CUSTOMER		 www.fciconnect.com	
ltr	ecn no.	dr	date	linear	0.X ± 0.3	projection		COPY		title	
A	DG07-0140	JMG	04/12/07	angles	0.XX ± 0.13					6P + 16S + 3ACP VERTICAL SOLDER/CABLE RECEIPT	
				dr	0.XXX ± 0.051			product family		PwrBlade	code
				enrg	0° ± 2°	scale		size	dwg no		213
				chr	JM GUO 04/12/07	1:1		A	51940-224		sheet
				appd	RYAN YUAN 04/12/07					1 of 4	
					GARY HSIEN 04/12/07						
					JOSEPH HSIA 04/12/07						
sheet index	revision sheet	A	A	A	A						
		1	2	3	4						

cage code 22526

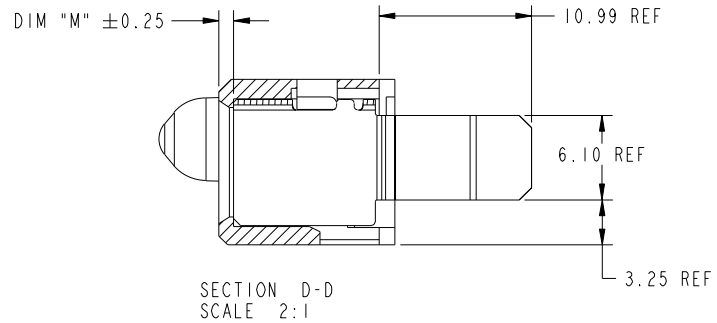
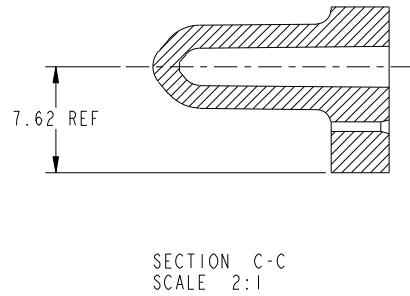
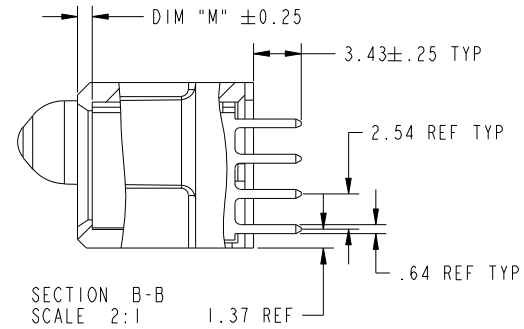
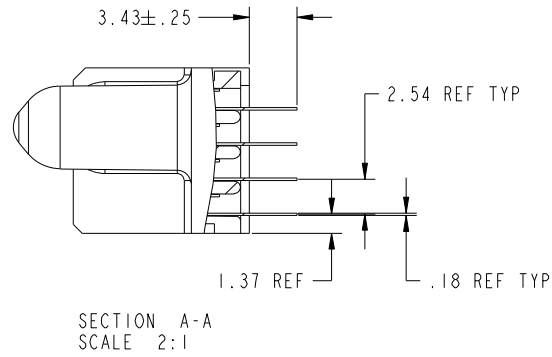
Pro/E

Tous droits strictement reserves. Reproduction ou communication a des tiers interdite sous quelque forme que ce soit sans autorisation écrite du propriétaire. Propriete de c FCI. Droits de reproduction FCI.



All rights strictly reserved. Reproduction or issue to third parties in any form whatever is not permitted without written authority from the proprietor. Property of FCI. Copyright FCI.

PRODUCT NUMBER  
51940-224--  
NOTE: 3



mat'l code				tolerances unless otherwise specified		CUSTOMER		 www.fciconnect.com	
ltr	ecn no.	dr	date	linear	0.X ± 0.3	COPY		title	
A					0.XX ± 0.13	projection		6P + 16S + 3ACP	
				angles	0.XXX ± 0.051			VERTICAL SOLDER/CABLE RECEPT	
				dr	0° ± 2°			product family PwrBlade code	
				engr	JM GUO 04/12/07	scale		size	
				chr	RYAN YUAN 04/12/07	1:1		dwg no	
				appd	GARY HSIEH 04/12/07			A 51940-224	
					JOSEPH HSIA 04/12/07			sheet 213	
sheet index		revision sheet						2 of 4	

cage code 22526

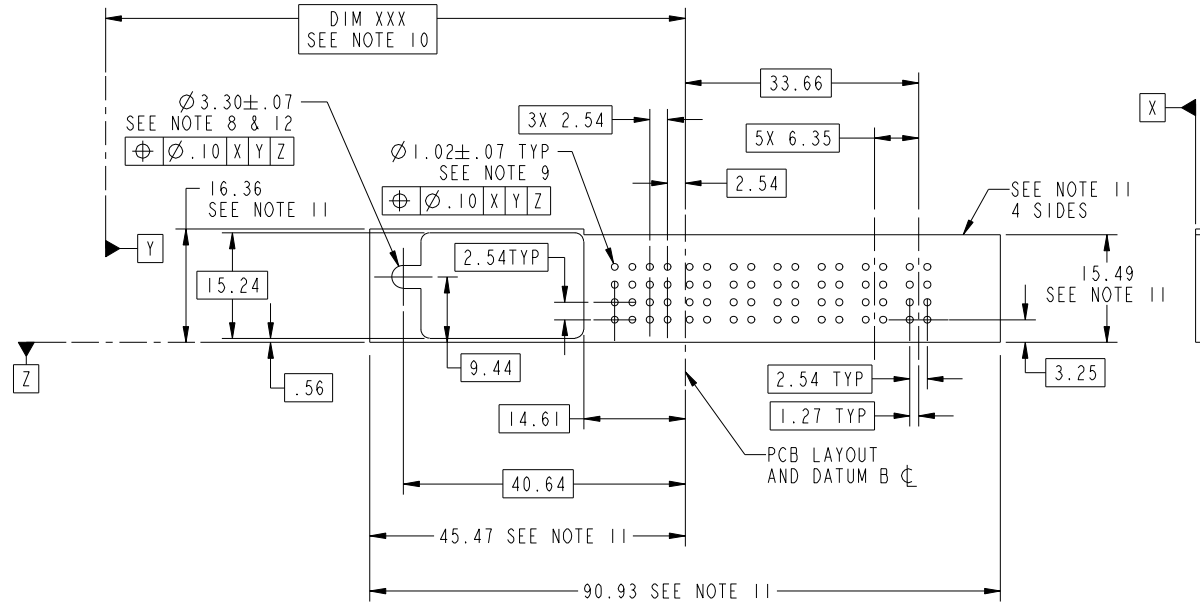
Pro/E

Tous droits strictement reserves. Reproduction ou communication a des tiers interdite sous quelque forme que ce soit sans autorisation écrite du propriétaire. Propriete de c FCI. Droits de reproduction FCI.



All rights strictly reserved. Reproduction or issue to third parties in any form whatever is not permitted without written authority from the proprietor. Property of FCI. Copyright FCI.

PRODUCT NUMBER  
51940-224--  
NOTE: 3



mat'l code				tolerances unless otherwise specified		CUSTOMER		FCI	
ltr	ecn no.	dr	date	linear	0.X ±0.3	COPY		www.fciconnect.com	
A					0.XX ±0.13	projection		title	
				angles	0.XXX ±0.051			6P + 16S + 3ACP VERTICAL SOLDER/CABLE RECEIPT	
				dr	0° ±2°	MIM		product family	PwrBlade
				enr	JM GUO 04/12/07	scale		size	code
				chr	RYAN YUAN 04/12/07	1:1		dwg no	213
				appd	GARY HSIEH 04/12/07			A	sheet
					JOSEPH HSIA 04/12/07				3 of 4
sheet index	revision sheet								

cage code 22526

Pro/E

Tous droits strictement reserves. Reproduction ou communication a des tiers interdite sous quelque forme que ce soit sans autorisation ecrite du proprietaire. Propriete de c FCI. Droits de reproduction FCI.

All rights strictly reserved. Reproduction or issue to third parties in any form whatever is not permitted without written authority from the proprietor. Property of FCI. Copyright FCI.



PRODUCT NUMBER  
51940-224\_-  
NOTE: 3

NOTES:

1. DIMENSIONS AND TOLERANCES ARE IN ACCORDANCE WITH ASME Y14.5M, 1994 UNLESS OTHERWISE SPECIFIED.

CONNECTOR NOTES:

- 2 HOUSING MATERIAL: UL 94 V-0 GLASS FILLED  
HIGH-TEMP THERMOPLASTIC  
POWER CONTACT MATERIAL: COPPER ALLOY  
SIGNAL PIN MATERIAL: COPPER ALLOY
  - 3. PLATING SPEC.  
51940-224,51940-224LF PLATING SPEC. WAS SHOWN IN THE PRINT OF 10064183.
  - 4 MANUFACTURER'S NAME, P/N, AND DATE CODE TO APPEAR ON THIS SURFACE.
  - 5. PRODUCT SPECIFICATION GS-12-149.  
APPLICATION SPECIFICATION BUS-20-067.
  - 6. PACKAGED IN TRAYS.
- PCB NOTES:
- 7. ALL HOLE DIAMETERS ARE FINISHED HOLE SIZE.
  - 8 MOUNTING HOLES, WHERE APPLICABLE, ARE UNPLATED.
  - 9  $\varnothing 1.151 \pm 0.025$  DRILLED HOLES PLATED WITH  
0.008 MIN SnPb OR Sn OVER 0.03  
TO 0.08 Cu PLATING TO ACHIEVE  
 $\varnothing 1.02 \pm .07$  HOLE.
  - 10 "DIM XXX" TO BE DETERMINED BY THE CUSTOMER.
  - 11 CONNECTOR KEEP-OUT ZONE.
  - 12. RECOMMENDED RETENTION TO PCB  
 $\varnothing 3.30$  THRU HOLE FOR #5 SOCKET HEAD CAP SCREW  
MAX. HEAD 5.21 RECOMMENDED SCREW LENGTH 12mm + PCB THICKNESS.  
RECOMMENDED SCREW SEATING TO PCB TORQUE: 2-5 lbf-in (2300-5760 gf-cm).

mat'l code				tolerances unless otherwise specified		CUSTOMER		FCI		www.fciconnect.com	
ltr	ecr no.	dr	date	linear	0.X ± 0.3		COPY		projection	title	
A					0.XX ± 0.13		MIM			6P + 16S + 3ACP	
					0.XXX ± 0.051		MIM			VERTICAL SOLDER/CABLE RECEPT	
				angles	0° ± 2°		MIM		product family		
				dr	JM GUO	04/12/07	MIM		PwrBlade		
				enr	RYAN YUAN	04/12/07	MIM		code		
				chr	GARY HSIEH	04/12/07	MIM		213		
				appd	JOSEPH HSIA	04/12/07	MIM		sheet		
sheet index		revision sheet				scale		A		4 of 4	
						1:1		51940-224			

cage code 22526

Pro/E