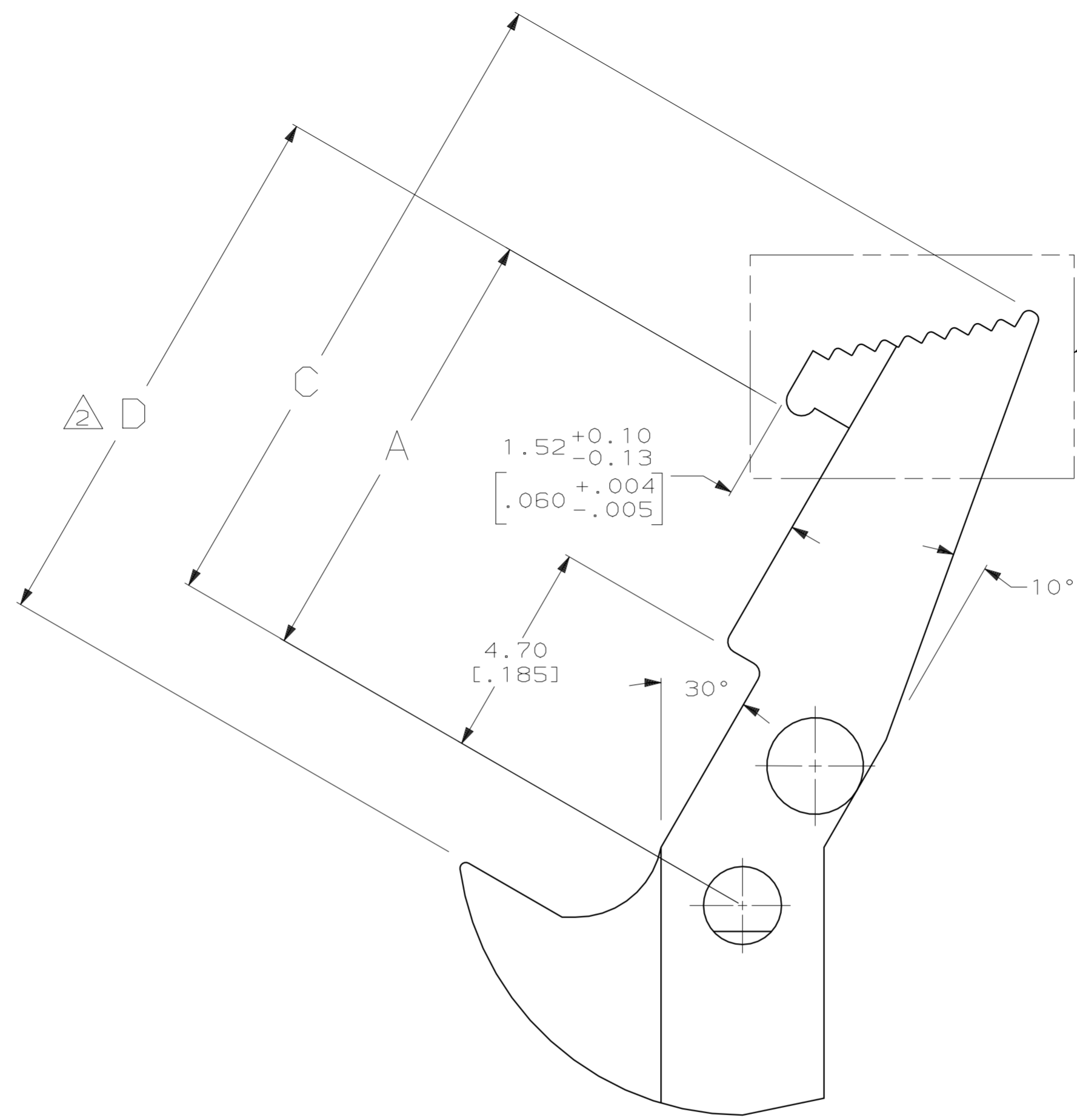
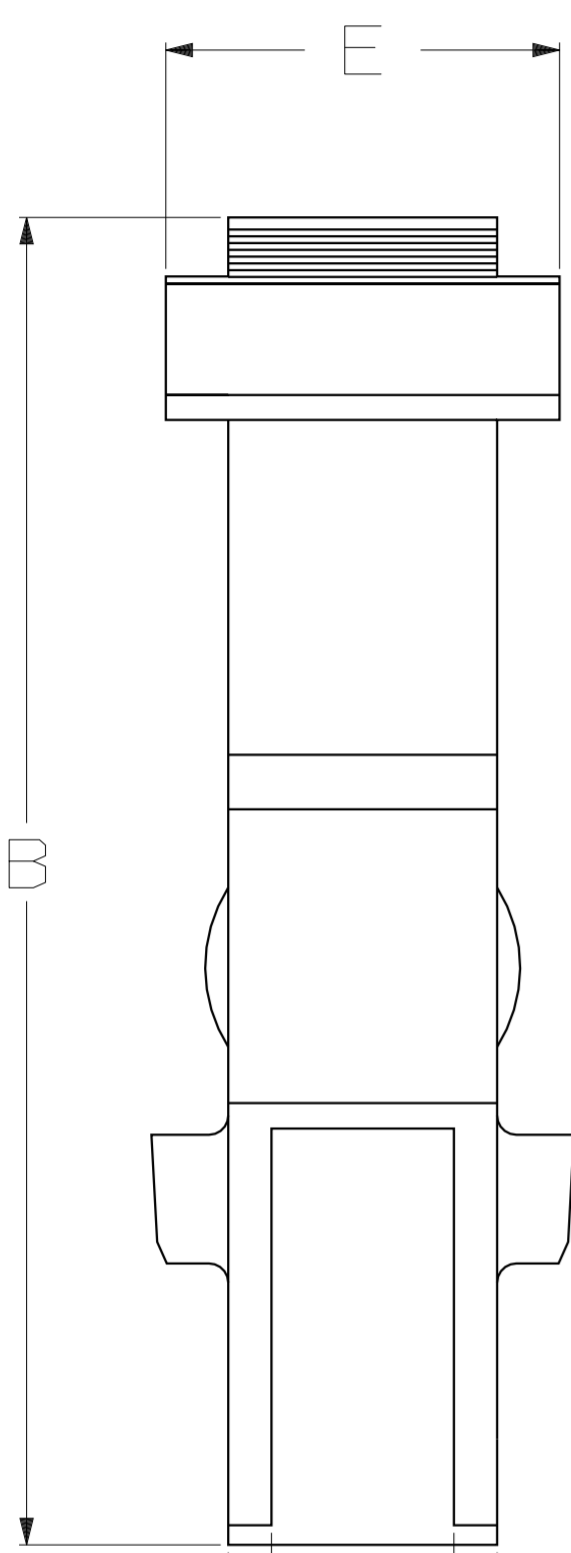
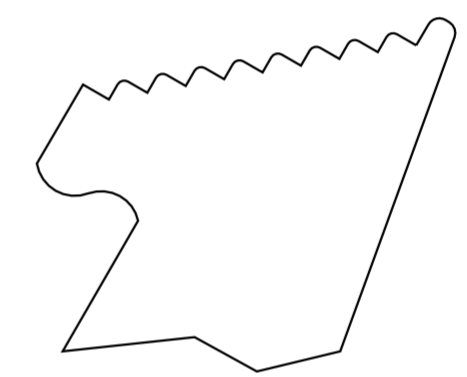


LOC	DIST	P	F	ZONE	LTR	REVISIONS	DATE	APPD
GP	00				B2	REVISED PER ECO 06-004646	08MAR06	JG



SEE DETAIL F
HANDLE AREA
SEE TABLE



DETAIL F
HANDLE AREA

2.41
[.095]
3.556 +0.064
-0.102
[.1400 +.0025
-.0040]

	④	AS SHOWN	5.21 [.205]	10.57 [.416]	13.56 [.534]	16.31 [.642]	8.38 [.330]	①	111293-3
OBsolete	③	PER DETAIL F	3.56 [.140] REF	12.04 [.474]	14.53 [.572]	17.14 [.675]	9.86 [.388]	①	111293-2
	③	AS SHOWN	5.21 [.205]	10.57 [.416]	13.56 [.534]	16.31 [.642]	8.38 [.330]		111293-1
MATERIAL		HANDLE AREA	E	D	C	B	A		PART NO

- ① TO BE USED WITH AMP-LATCH™ CONNECTOR WITH STANDARD COVER.
- ② MATING RECEPTACLE HEIGHT.
- ③ FLAME RETARDANT PCT, UL94V-0 RATED, COLOR RED.
- ④ FLAME RETARDANT PCT, UL94V-0 RATED, COLOR BLACK.

DO NOT SCALE PRINT.
UNLESS SPECIFIED
DIMENSIONS IN mm [INCHES]
TOLERANCES ON:
2 PLC DEC ± 0.13 [.005]
3 PLC DEC ± -
ANGLES ± 1°
MATERIAL
SEE TABLE
FINISH
-

DR 10-1-92
H MOLL
CHK 10-2-92
R STONE
APPD 10-5-92
R KILE
APPD 10-6-92
D HOFFMAN
PRODUCT SPEC
-
APPLICATION SPEC
-
WEIGHT
-

AMP AMP Incorporated Harrisburg, PA 17105-3608		
NAME LATCH, USED IN AMP-LATCH UNIVERSAL HEADER		
SIZE C	CAGE CODE 00779	DRAWING NO C-111293
SCALE 10:1	SHEET 1 OF 1	

THIS DRAWING IS A CONTROLLED DOCUMENT FOR AMP INCORPORATED. IT IS SUBJECT TO CHANGE AND THE CONTROLLING ENGINEERING ORGANIZATION SHOULD BE CONTACTED FOR THE LATEST REVISION.