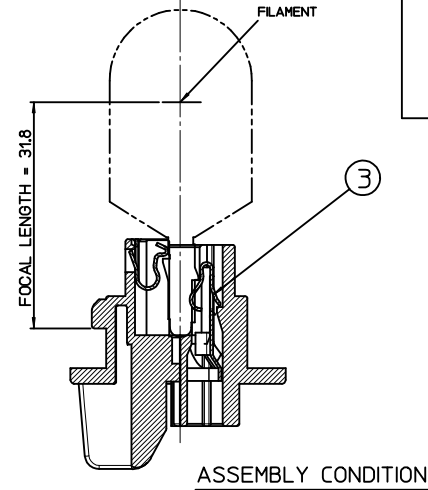
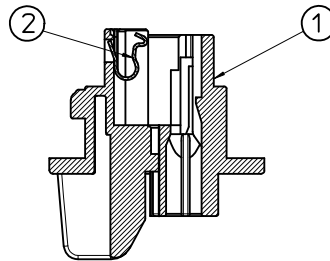
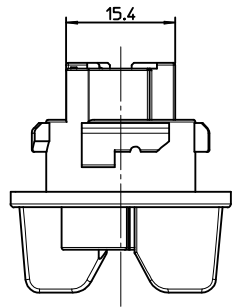


ISO VIEW



ASSEMBLY CONDITION



SECTION A-A

<NOTE>

1. APPLICABLE LAMP : WY21W(T20)
2. PANEL THICKNESS : 3.0mm ±0.1
3. MATES WITH

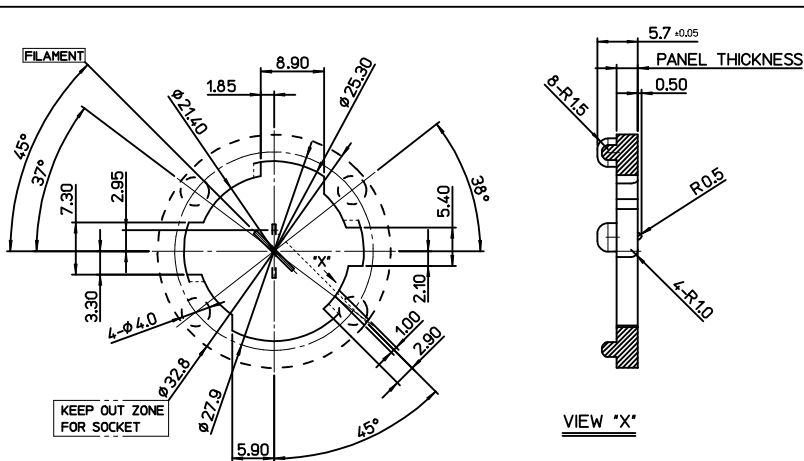
NO.	DESCRIPTION	MATERIAL	PART NO.	WIRE RANGE
③	SINGLE TERMINAL	BRASS	49869-9102	0.5~0.85mm <sup>2</sup>

<PARTS LIST>

NO.	DESCRIPTION	MATERIAL	USAGE	REMARK
①	T20 BULB SOCKET	NYLON46, GF 30%	1	BROWN
②	LAMP HOLDER	SUS	2	UNPLATED



MATERIAL NO.	ORDER NO.	COLOR
1041330217	104133-0217	BROWN
1041330210	104133-0210	NATURAL



VIEW "X"

LUG PATTERN "A"

GENERAL TOLERANCE: ±0.1

KEEP OUT ZONE FOR SOCKET

CHANGED DIM'S & ADDED COLOR EC NO: KTR2012-0067 DRAWN: HIMOON 2012/05/03 CHK: CHIMOON 2012/05/03 APPR:	QUALITY SYMBOLS ▽=0 ▽=0	GENERAL TOLERANCES (UNLESS SPECIFIED)		DIMENSION STYLE <b>MM ONLY</b>		SCALE 2:1	DESIGN UNITS METRIC	THIRD ANGLE PROJECTION			
		4 PLACES ± --- ± --- 3 PLACES ± --- ± --- 2 PLACES ± 0.2 ± --- 1 PLACE ± 0.30 ± --- ANGULAR ± 1°	mm INCH	DRAWN BY SMK1M 2009/03/17	DATE 2009/03/17	TITLE <b>WY21W UNSEALED WEDGE BULB SOCKET 2P</b>					
		DRAFT WHERE APPLICABLE MUST REMAIN WITHIN DIMENSIONS		CHECKED BY BCYOON 2009/03/17	DATE 2009/03/17	MOLEX INCORPORATED					
		SEE TABLE 1		APPROVED BY DC LISLE 2012/06/29	DATE 2012/06/29	MATERIAL NO. SD-104133-001		DOCUMENT NO.			