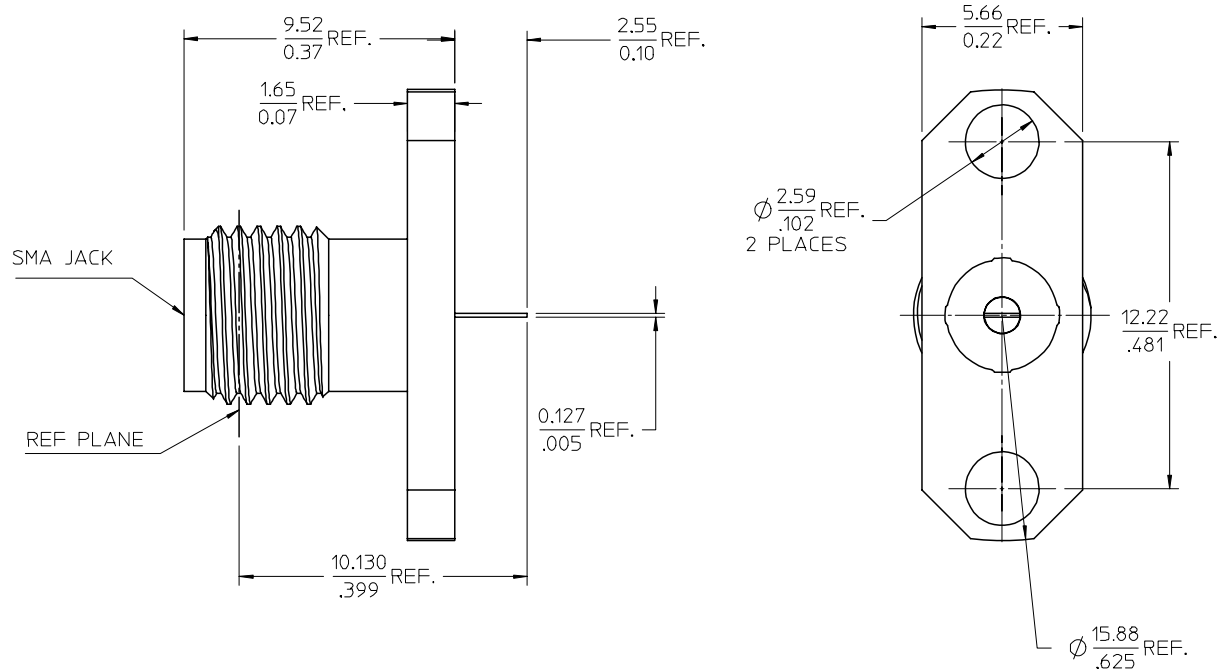
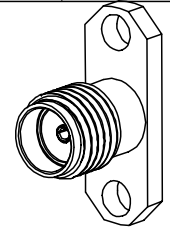


MATERIALS AND FINISHES

BODY STAINLESS STEEL PER ASTM-582
PASSIVATED

CONTACT BERYLLIUM COPPER PER ASTM-B196
PLATED GOLD

INSULATOR TEFLON PER ASTM-D-1457



PART # 73251-0280

PS-89675-2820	ELECTRO/MECH PERFORMANCE
MIL-STD-348A, FIG. 310.2	INTERFACE
SPECIFICATION	DESCRIPTION

73251-0281	73251-0280 BY TRAY (20 CAV.)
PART NO.	PACKAGING

GENERAL TOLERANCES (UNLESS SPECIFIED) 4 PLACES ± --- ± --- 3 PLACES ± --- ± --- 2 PLACES ± --- ± --- 1 PLACE ± --- ± --- ANGULAR ± 2 °	DIMENSION STYLE MM/IN	SCALE METRIC	DESIGN UNITS METRIC	THIRD ANGLE PROJECTION
	DRAWN BY EDC	DATE 2000/02/10	TITLE SMA JACK TAB TERMINAL 2 HOLES SMA-J/PCB	MOLEX INCORPORATED
DRAFT WHERE APPLICABLE MUST REMAIN WITHIN DIMENSIONS		MATERIAL NO. SEE TABLE	DOCUMENT NO. SD-73251-028	SHEET NO. 1 OF 1

ADDED P/N: 73251-0281
 EC NO: URF2007-0497
 DRAWN BY: DRWANELIN
 CHKD: 2007/06/15
 APPR: MHIANG
 2007/06/21
 2007/06/21

QUALITY SYMBOLS
 ▽=0
 ▽=0