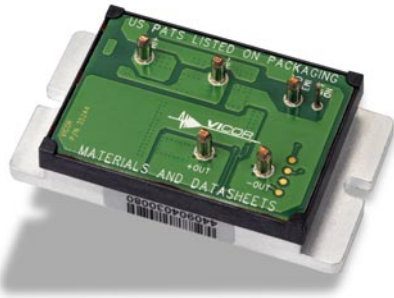


DC front-end module with EMI filtering & transient protection



Size:
1.91 x 1.09 x 0.37 in
48,6 x 27,7 x 9,5 mm

Features

- -55°C to 100°C baseplate operation
- Vin range: 16.5 – 50 Vdc
- EMI filtering: MIL-STD-461E/F
- Transient protection MIL-STD-1275 A/B/D and MIL-STD-704A/E/F
- Height above board: 0.37 in (9.5 mm)
- Low weight: 1.07 oz (30.4g)
- Typical efficiency: 99%
- Architectural flexibility

Product Overview

The MIL-COTS filter is a DC front-end module that provides EMI filtering and transient protection. The filter enables designers using Vicor's MIL-COTS PRM®, VI Bricks™ and VI Chips® to meet conducted emission / conducted susceptibility per MIL-STD-461E; and input transients per MIL-STD-704A/E/F and MIL-STD-1275A/B/D. The MIL-COTS PRM filter accepts an input voltage of 16.5 –50 Vdc and delivers output power up to 120 W.

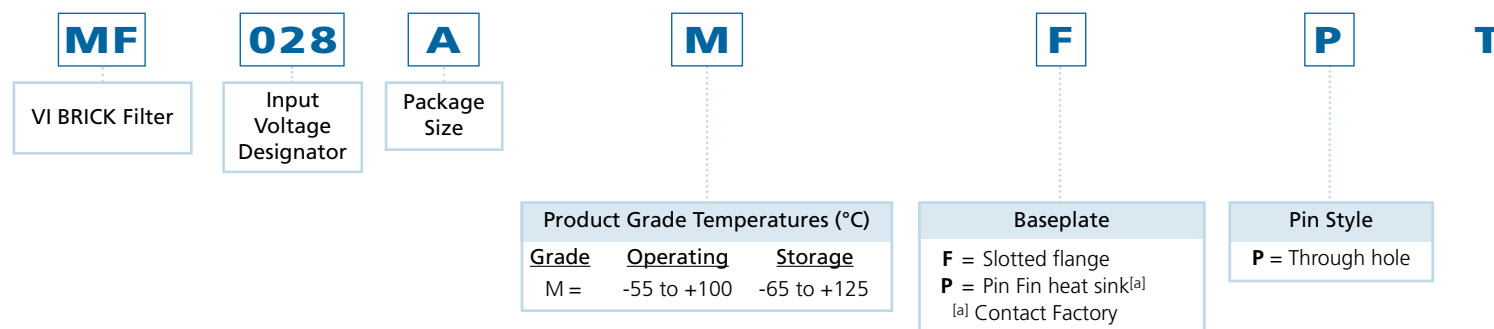
Absolute Maximum Ratings

Parameter	Values	Unit	Notes
+In to -In	-1.0 to 60.0	Vdc	Continuous
+Out to -Out	-1.0 to 60.0	Vdc	Continuous
Continuous output power	120	W	
Operating temperature	-55 to +100	°C	M-Grade; baseplate
Storage temperature	-65 to +125	°C	M-Grade

Note: Stresses in excess of the maximum ratings can cause permanent damage to the device. Operation of the device is not implied at these or any other conditions in excess of those given in the specification. Exposure to absolute maximum ratings can adversely affect device reliability.

SPECIFICATIONS

PART NUMBERING


Input Specifications (Conditions are at 28 Vin, full load, and 25°C baseplate unless otherwise specified)

Parameter	Min	Typ	Max	Unit	Notes
Input voltage range	16.5	28	50	Vdc	Operation to 13.5 V after start up \geq 16.5 V
Input current			8	Adc	
Inrush limiting			0.01	A/ μ F	
Recommended external input capacitance		10		μ F	C1 Figure 7
Transient Immunity			100	Vdc	50 ms per MIL-STD-1275A/B/D continuous operation
			250	Vdc	70 μ s per MIL-STD-1275A/B/D continuous operation
			70	Vdc	20 ms per MIL-STD-704A continuous operation
			80	Vdc	100 ms per D0-160 E, sec.16, Cat. z cont. operation
			50	Vdc	12.5 ms per MIL-STD-704E/F continuous operation

Output Specifications (Conditions are at 28 Vin, full load, and 25°C baseplate unless otherwise specified)

Parameter	Min	Typ	Max	Unit	Note
Output voltage range	16.0	28	49.6	Vdc	
Internal voltage drop		0.4	0.85	Vdc	
Output current	0		8	Adc	Over input range
Efficiency					
	Full load		99	%	
External output capacitance		1000		μ F	Figure 7 C _{IN}

Safety Specifications

Parameter	Min	Typ	Max	Unit	Note
Dielectric withstand			None	Vrms	Input / Output
			707	Vdc	Input / Output to Base / EMI Pin

EMI

Standard	Test Procedure	Notes
MIL-STD-461E/F	Conducted Emissions	Navy ASW & Army Aircraft, Curve #2 (28 Vdc)
		Basic curve, for all applications
Conducted Susceptibility	CS101-1	Curve #2, for all applications (28 Vdc)
	CS114-1	Conducted susceptibility, bulk cable injection, 10 KHz - 200 MHz, Curve #4
	CS115-1	Conducted susceptibility, bulk cable injection, impulse excitation, all applications

SPECIFICATIONS (CONT.)

General Specifications					
Parameter	Min	Typ	Max	Unit	Notes
MTBF					
MIL-HDBK-217F		12,933,333		hrs	25°C, GB
		2,327,752		hrs	50°C, NS
		1,823,912		hrs	65°C, AIC
Agency approvals		CE Mark			Low voltage directive (10 A external fuse required), EN60950-1
Mechanical parameters					See Mechanical Drawings, Figures 2 & 4
Weight		1.07/30,4		oz/g	
Dimensions					
Length		1.91/46,6		in/mm	
Width		1.09/27,7		in/mm	
Height		0.37/9,5		in/mm	
Thermal					
Thermal capacity		23.8		Ws/°C	
Baseplate to ambient		8.8		°C/W	
Baseplate to ambient; 1000 LFM		3.0		°C/W	
Baseplate to sink; flat, greased surface		0.40		°C/W	
Baseplate to sink; thermal pad		0.36		°C/W	

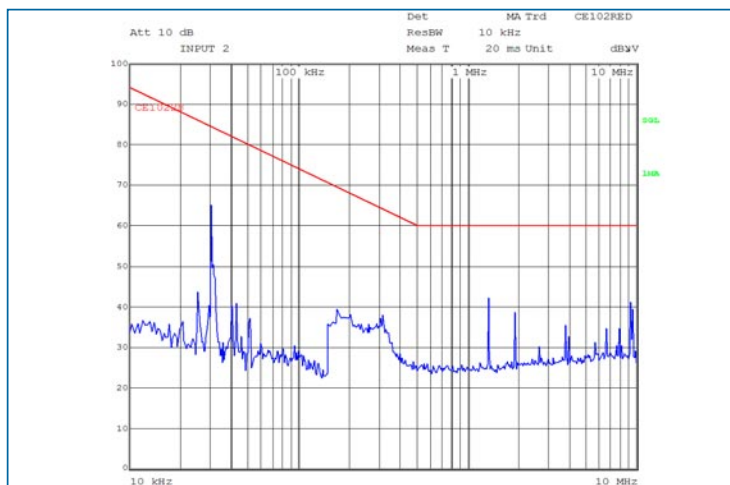


Figure 1 — Conducted Noise (CE 102); MF028AMFPT with PRM and VTM, 28 Vdc input, 12 Vdc output, 90% load.

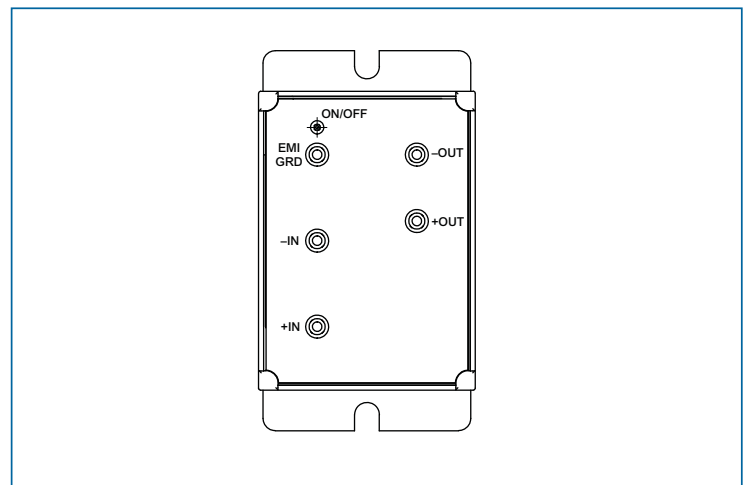


Figure 2 — MF028AMFPT pin configuration (viewed from pin side)

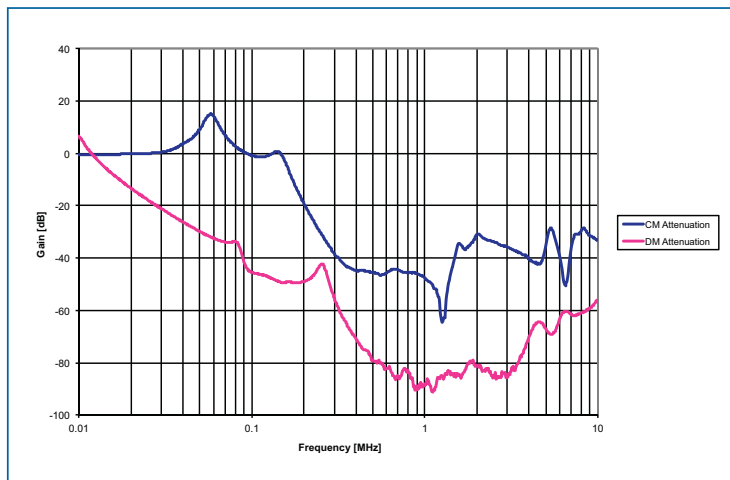


Figure 3 — MF028AMFPT insertion loss

SPECIFICATIONS (CONT.)

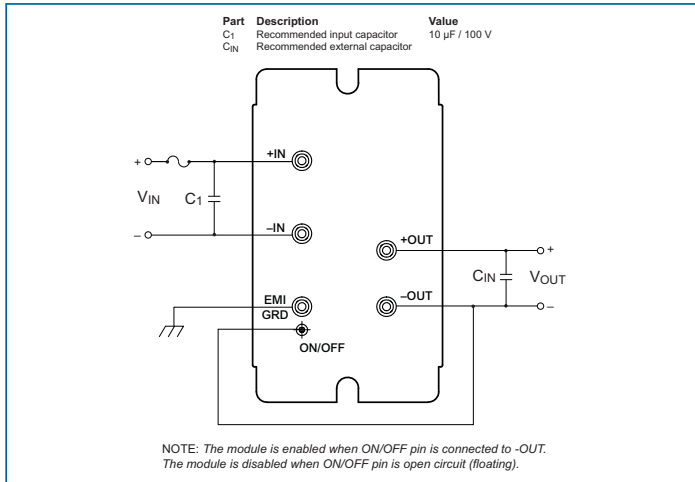


Figure 4 — Connection for filter enabled at turn on

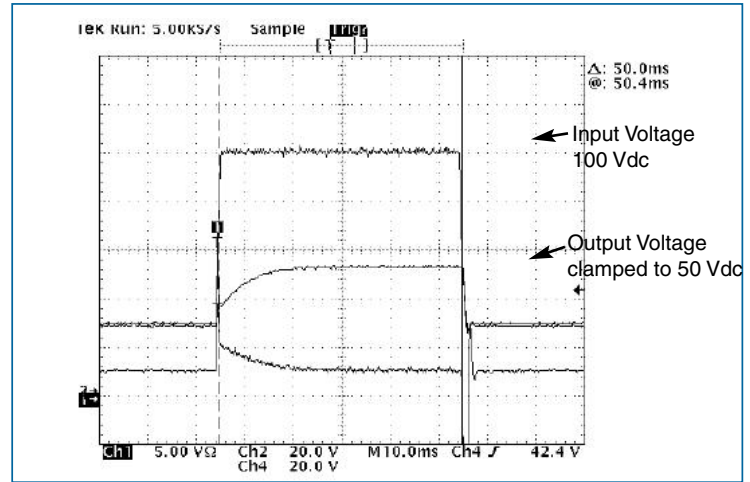


Figure 5 — Transient immunity; MF028AMFPT output response to an input transient. (28 VIN full load initial conditions, trace 1.5 A/div)

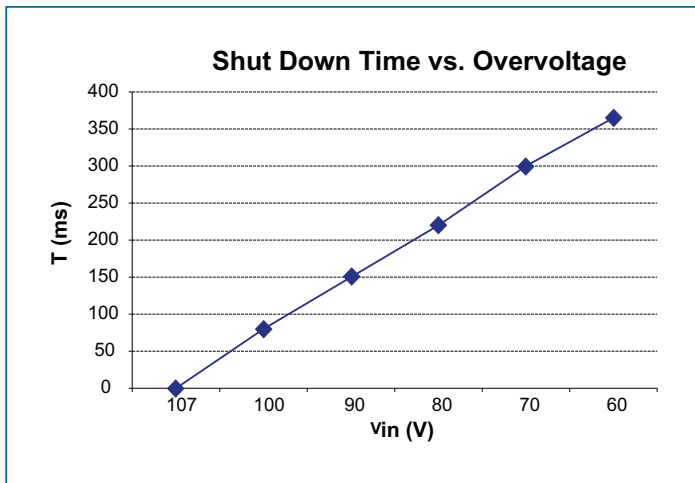


Figure 6 — Shutdown time vs. overvoltage

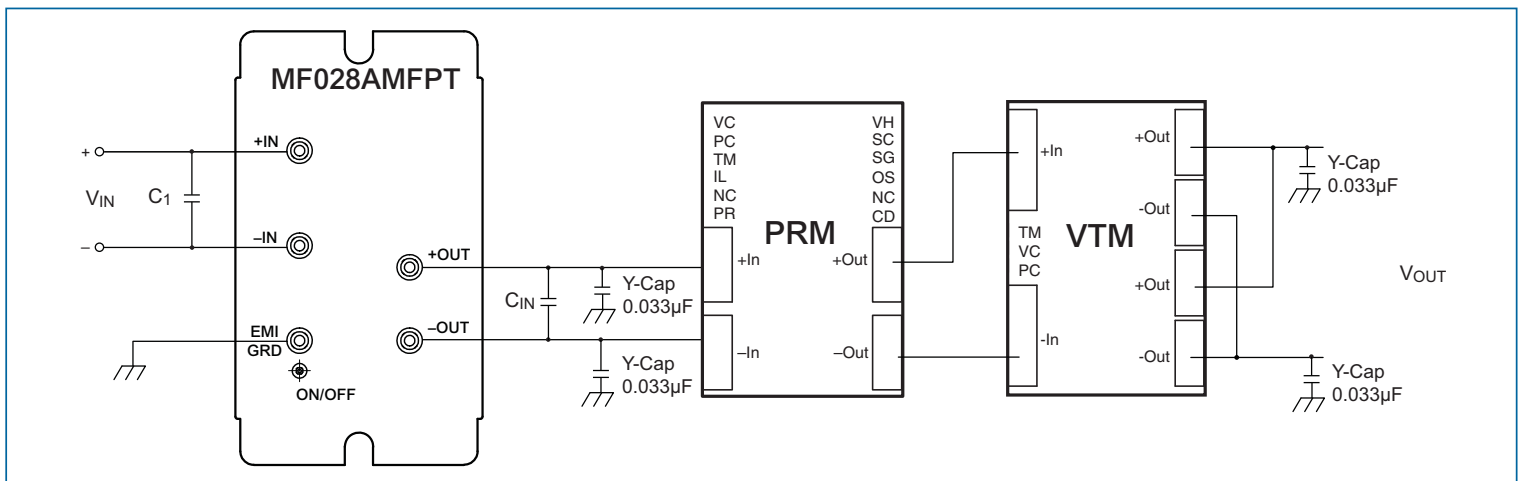


Figure 7 — Recommended circuit for EMI

MECHANICAL DRAWINGS

Baseplate - Slotted Flange

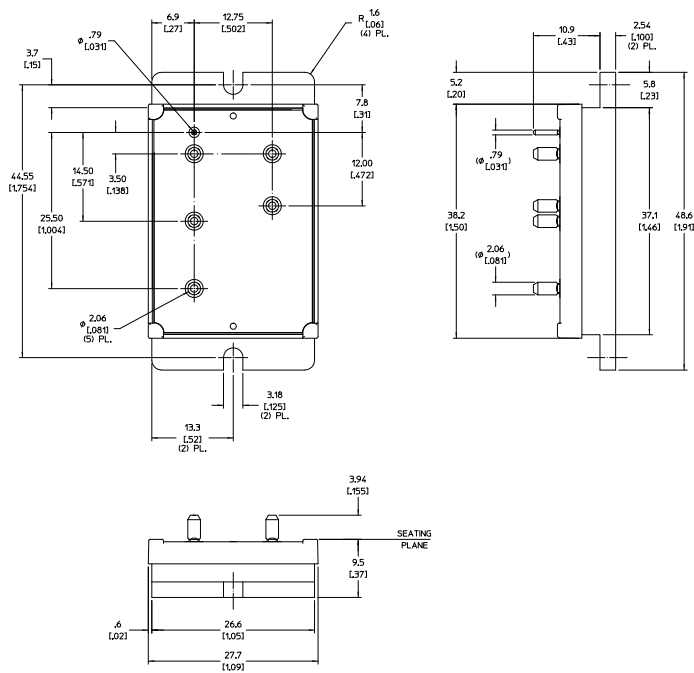
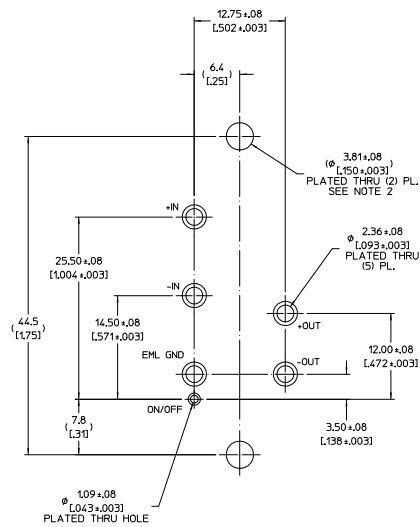


Figure 8 — Module outline

Recommended PCB Pattern
(Component side shown)



Note:
2. PLATED THROUGH HOLES SHALL BE USED WITH VIBRICK STANDOFF KITS TO GROUND THE BASEPLATE TO THE CUSTOMERS PCB AND/OR COLD PLATE.

Figure 9 — PCB mounting specifications

Vicor's comprehensive line of power solutions includes high density AC-DC and DC-DC modules and accessory components, fully configurable AC-DC and DC-DC power supplies, and complete custom power systems.

Information furnished by Vicor is believed to be accurate and reliable. However, no responsibility is assumed by Vicor for its use. Vicor makes no representations or warranties with respect to the accuracy or completeness of the contents of this publication. Vicor reserves the right to make changes to any products, specifications, and product descriptions at any time without notice. Information published by Vicor has been checked and is believed to be accurate at the time it was printed; however, Vicor assumes no responsibility for inaccuracies. Testing and other quality controls are used to the extent Vicor deems necessary to support Vicor's product warranty. Except where mandated by government requirements, testing of all parameters of each product is not necessarily performed.

Specifications are subject to change without notice.

Vicor's Standard Terms and Conditions

All sales are subject to Vicor's Standard Terms and Conditions of Sale, which are available on Vicor's webpage or upon request.

Product Warranty

In Vicor's standard terms and conditions of sale, Vicor warrants that its products are free from non-conformity to its Standard Specifications (the "Express Limited Warranty"). This warranty is extended only to the original Buyer for the period expiring two (2) years after the date of shipment and is not transferable.

UNLESS OTHERWISE EXPRESSLY STATED IN A WRITTEN SALES AGREEMENT SIGNED BY A DULY AUTHORIZED VICOR SIGNATORY, VICOR DISCLAIMS ALL REPRESENTATIONS, LIABILITIES, AND WARRANTIES OF ANY KIND (WHETHER ARISING BY IMPLICATION OR BY OPERATION OF LAW) WITH RESPECT TO THE PRODUCTS, INCLUDING, WITHOUT LIMITATION, ANY WARRANTIES OR REPRESENTATIONS AS TO MERCHANTABILITY, FITNESS FOR PARTICULAR PURPOSE, INFRINGEMENT OF ANY PATENT, COPYRIGHT, OR OTHER INTELLECTUAL PROPERTY RIGHT, OR ANY OTHER MATTER.

This warranty does not extend to products subjected to misuse, accident, or improper application, maintenance, or storage. Vicor shall not be liable for collateral or consequential damage. Vicor disclaims any and all liability arising out of the application or use of any product or circuit and assumes no liability for applications assistance or buyer product design. Buyers are responsible for their products and applications using Vicor products and components. Prior to using or distributing any products that include Vicor components, buyers should provide adequate design, testing and operating safeguards.

Vicor will repair or replace defective products in accordance with its own best judgment. For service under this warranty, the buyer must contact Vicor to obtain a Return Material Authorization (RMA) number and shipping instructions. Products returned without prior authorization will be returned to the buyer. The buyer will pay all charges incurred in returning the product to the factory. Vicor will pay all reshipment charges if the product was defective within the terms of this warranty.

Life Support Policy

VICOR'S PRODUCTS ARE NOT AUTHORIZED FOR USE AS CRITICAL COMPONENTS IN LIFE SUPPORT DEVICES OR SYSTEMS WITHOUT THE EXPRESS PRIOR WRITTEN APPROVAL OF THE CHIEF EXECUTIVE OFFICER AND GENERAL COUNSEL OF VICOR CORPORATION. As used herein, life support devices or systems are devices which (a) are intended for surgical implant into the body, or (b) support or sustain life and whose failure to perform when properly used in accordance with instructions for use provided in the labeling can be reasonably expected to result in a significant injury to the user. A critical component is any component in a life support device or system whose failure to perform can be reasonably expected to cause the failure of the life support device or system or to affect its safety or effectiveness. Per Vicor Terms and Conditions of Sale, the user of Vicor products and components in life support applications assumes all risks of such use and indemnifies Vicor against all liability and damages.

Intellectual Property Notice

Vicor and its subsidiaries own Intellectual Property (including issued U.S. and Foreign Patents and pending patent applications) relating to the products described in this data sheet. No license, whether express, implied, or arising by estoppel or otherwise, to any intellectual property rights is granted by this document. Interested parties should contact Vicor's Intellectual Property Department.

The products described on this data sheet are protected by the following U.S. Patents Numbers:

5,945,130; 6,403,009; 6,710,257; 6,788,033; 6,940,013; 6,969,909; 7,038,917; 7,154,250; 7,166,898; 7,187,263; 7,202,646; 7,361,844; 7,368,957; RE40,072; D496,906; D506,438; D509,472; and for use under U.S. Pat. Nos. 6,975,098 and 6,984,965.

Vicor Corporation

25 Frontage Road
Andover, MA, USA 01810
Tel: 800-735-6200
Fax: 978-475-6715

email

Customer Service: custserv@vicorpower.com
Technical Support: apps@vicorpower.com