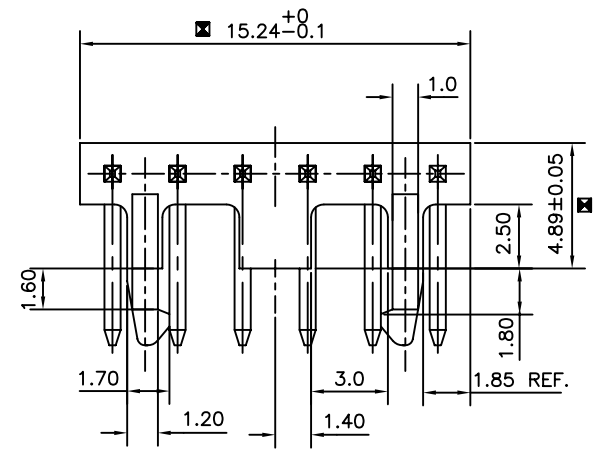
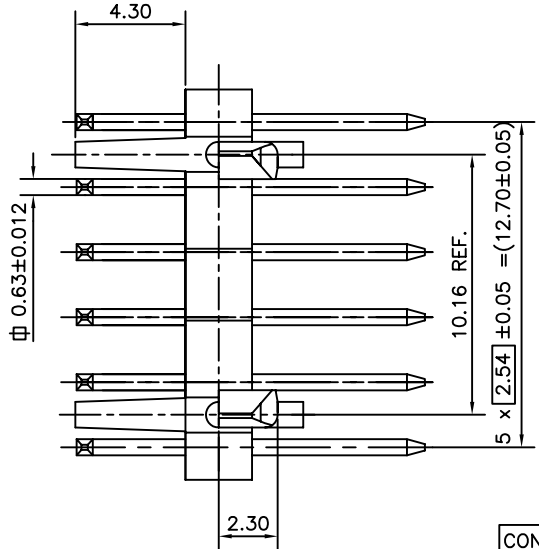
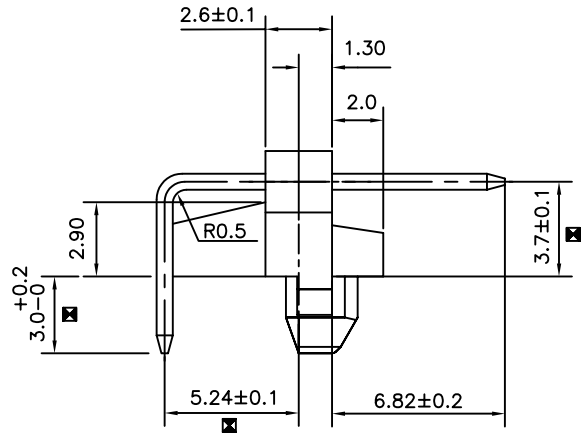
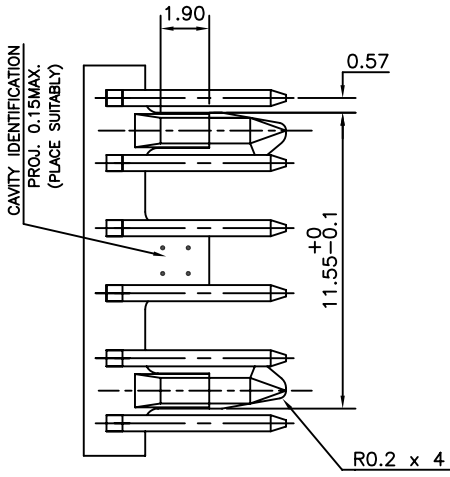




FCconnect.com

Copyright FCI



NOTE

1. RETENTION FORCE PER CONTACT IS 20 N MIN.
2. LENGTH OF CONTACT TO BE USED IS 19.90±0.1
3. SIGNIFICANT CHARACTERISTIC
4. PLATING: 3-5μ Sn/SnPb Ni UNDERCOAT 1.27μ .
5. THE PRODUCT (LF) MEETS EUROPEAN UNION DIRECTIVES AND OTHER COUNTRY REGULATIONS AS DESCRIBED IN GS-22-008

CONNECTOR PART NO :- 8614-00-06-1-LO-1-LK2-XX

LF :-LEAD FREE

mat'l. code REF TECH SPEC		surface ISO 1302		tolerance ISO 406 ISO 1101		projection		product family 8614	
ltr		ecn no		dr		date		title	
C	I06-0124	MKV	2003-06-20					6-PIN A/S HEADER ASSEMBLY	
D	I06-0116	AB	2006-07-20	angles		linear		scale	
				0°±1°				MM	
				dr		MINI K VANDANATH 1998-01-28		dwg no	
				enrg		BIJU K P 1998-01-28		sheet 1 of 1	
				chr		ALEX BABU 2006-07-20		size	
				appd		BIJU K P 2006-07-20		A3	
sheet index		revision sheet		C		D		type	
				1		1		Product Customer Drawing	