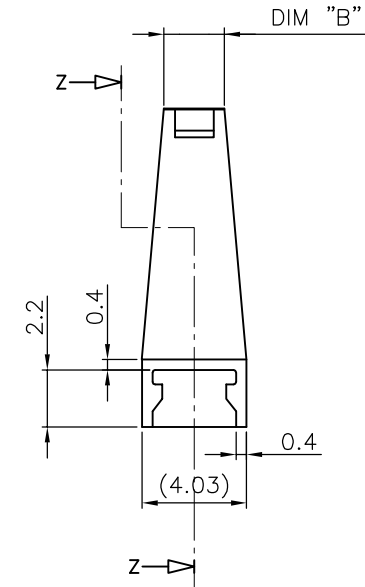
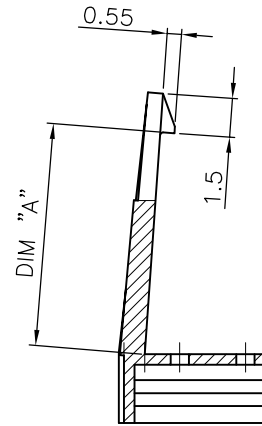


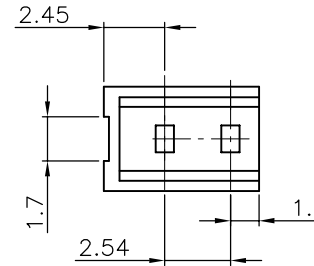
PRODUCT NUMBER  
67027-0XXLF

RoHS COMPATIBLE, SEE NOTE 3

STYLE	DIM "A"	DIM "B"
01	8.60	2.7
02	14.07	1.9



SECTION Z-Z



NOTES :

1. MATERIAL : NYLON 6/6, 25% GLASSFIBER  
FLAMMABILITY PER UL-94-V0.  
COLOUR : BLACK
2. FOR LATCH APPLICATION SEE TA 339
3. RoHS COMPATIBLE PRODUCT
  - a - LABELLING:  
- MEETS PACKAGING SPECS AS PER GS-14-920
  - b - LEGAL STATEMENT : SEE GS-47-0004
  - c - THE PRODUCT IS NOT INTENDED TO BE EXPOSED TO MANUFACTURING SOLDER PROCESS
  - d - PRODUCT MEETS WITH EU 2002/EG/95

mat'l. code SEE NOTES		surface ISO 1302	tolerance ISO 406 ISO 1101	projection mm	product family BERGSTIK
ltr	ecn no	dr	date	tolerances unless otherwise specified	title
C	F05-0256	LMU	05.10.11	angles linear .x ±0.30	SR BERGCON BERGSTIK LATCH
D	F06-0236	LMU	06.07.17	.xx ±0.15	
E	F07-0175	LMU	07.04.12	xxx ±0.05	scale 5/1
F	B-19262	LMU	14.10.31	dr L.MULIN 05.09.21	dwg no sheet 1 of 1 size
G	B-19924	BVE	15.01.08	engr J.COMPAGNON 05.09.21	67027 A3
				chr	type CUSTOMER Drawing
				appd JM.C 05.09.21	
sheet index	revision sheet				