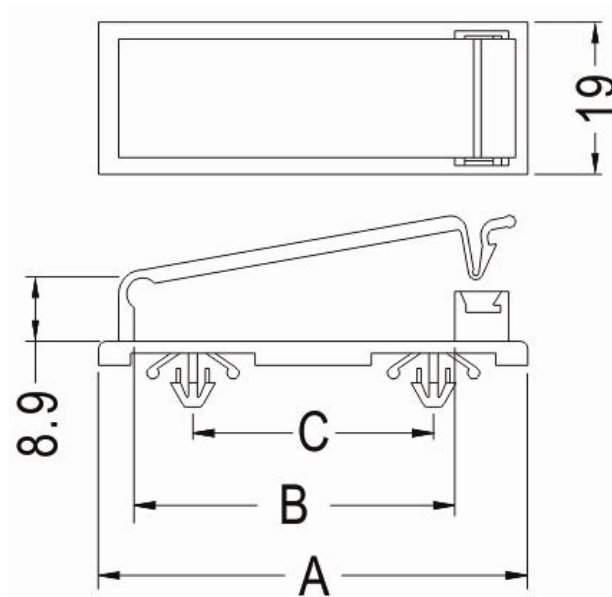


524420000



CHASSIS Ø4.0
THICKNESS 0.8~2.2

A [mm]	B [mm]	C [mm]
45.5	32.0	25.0

524420000

Material: Nylon 66, UL94 V-0

FLAT CABLE CLAMP

Surface: Natural

Drawn
Mark Wirth
2012-02-27

Last Update
Mark Wirth
2012-02-27

Würth Elektronik eiSos GmbH & Co KG
D – 74638 Waldenburg
Max-Eyth-Straße 1
Tel.: 0049 7942-945-0 / Fax: 0049 7942-945-400
www.we-online.de