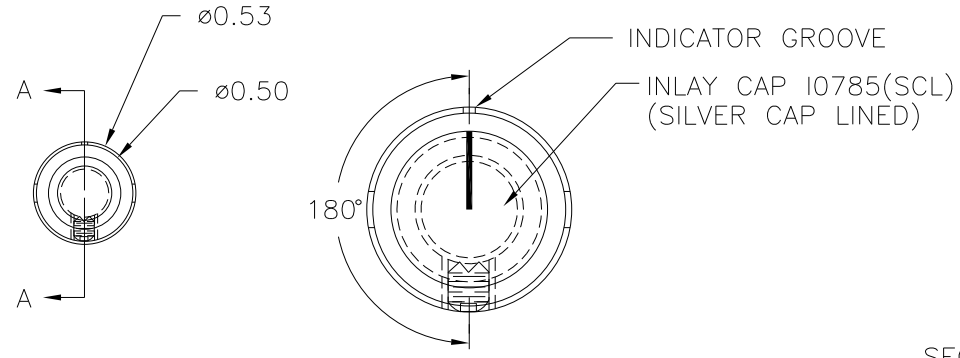


PART NAME: KNOB SCALE: 1:1 DATE: 8/29/97 DR. BY HD

THIS DRAWING IS THE PROPERTY OF DAVIES MOLDING COMPANY, IS SUBMITTED SOLELY AS A DESIGN OR ENGINEERING PROJECT. WE ACCEPT NO RESPONSIBILITY WHATSOEVER FOR THE PRACTICAL APPLICATION OF THE PIECES MADE TO THIS DESIGN.

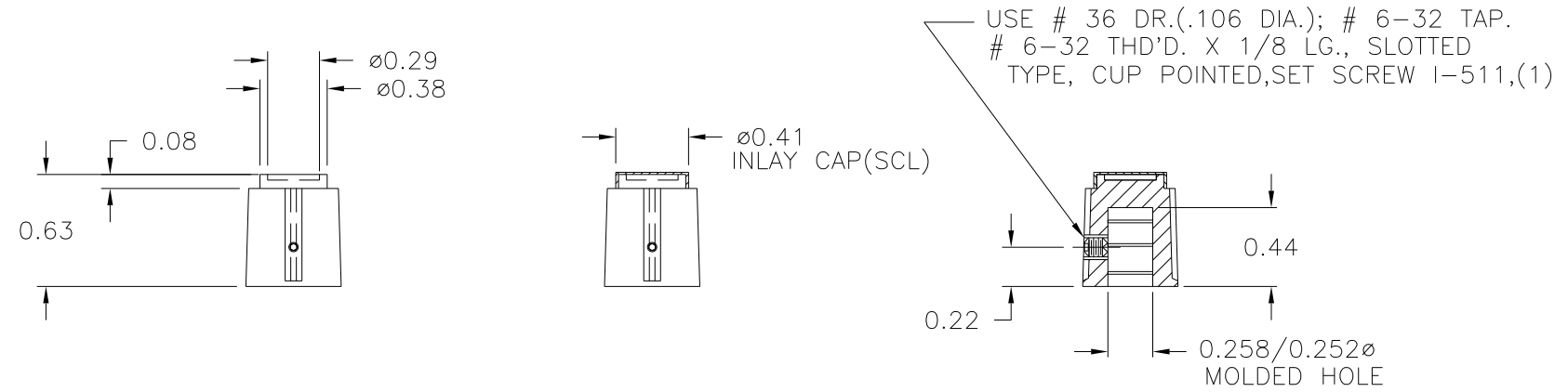
DAVIES MOLDING COMPANY
CAROL STREAM, ILLINOIS 60188

P/N 1200-W	
M NO. 1200-9-1	
BASE PART	1200-01
SET SCREW	I0511
INLAY CAP	I0785(SCL)



SCALE 2 : 1

SECTION A-A



MATERIAL: G.P. PHENOLIC (B11)
COLOR: BLACK

TOLERANCES: UNLESS OTHERWISE SPECIFIED	DO NOT SCALE DRAWING			
DECIMALS: X.XXX ± .005 X.XX ± .015	MM: X.XX ± 0.15MM X.X ± 0.4MM	-	HAD TOOLBOX	JAM 3/17/00
FRACTIONS ± 1/64	ANG. ± 1°	CHANGES		